





COMPUTER SEWING MACHINE  
MÁQUINA DE COSER ELECTRÓNICA  
MACHINE ELECTRONIQUE  
MACCHINA PER CUCIRE ELETTRONICA

# HZL-G220/G120

## INSTRUCTION MANUAL MANUAL DE INSTRUCCIONES MANUEL D'INSTRUCTIONS MANUALE DI ISTRUZIONI

 <b>Attention</b>	<p>Please read this instruction manual before using the machine as it contains important operational and safety information. Keep this manual accessible so that you may refer to it at anytime while operating the machine.</p>
 <b>Atención</b>	<p>Lea este manual de instrucciones antes de utilizar la máquina, porque contiene información de operación y seguridad importante. Mantenga este manual accesible para poder consultarlo en cualquier momento cuando utilice la máquina.</p>
 <b>Attention</b>	<p>Avant de mettre la machine en marche, lire attentivement et assimiler les règles de sécurité de ce manuel. Conserver le manuel afin de pouvoir le consulter ultérieurement.</p>
 <b>Attenzione</b>	<p>Prima di utilizzare la macchina per cucire, leggere attentamente questo manuale d'istruzioni contenente importanti informazioni sul funzionamento e la sicurezza. Tenere questo manuale in un luogo accessibile così da poterlo consultare in qualsiasi momento durante l'utilizzo della macchina.</p>



## “IMPORTANT SAFETY INSTRUCTIONS”

When using an electrical appliance, basic safety precautions should always be followed, including the following: Read all instructions before using this sewing machine.

### “DANGER \_\_\_\_ To reduce the risk of electric shock:”


1. The appliance should never be left unattended when plugged in.
2. Always unplug this appliance from the electric outlet immediately after using and before cleaning.

### “WARNING \_\_\_\_ To reduce the risk of burns, fire, electric shock, or injury to persons:”

1. Do not allow this appliance to be used as a toy. Close attention is necessary when this appliance is used by or near children. This appliance can be used by children aged from 8 years and above and persons with reduced physical, sensory or mental capabilities or lack of experience and knowledge if they have been given supervision or instruction concerning use of the appliance in a safe way and understand the hazards involved. Children shall not play with the appliance. Cleaning and user maintenance shall not be made by children without supervision.
2. Use this appliance only for its intended use as described in this manual. Use only attachments recommended by the manufacturer as contained in this manual.
3. Never operate this appliance if it has a damaged cord or plug, if it is not working properly, if it has been dropped or damaged, or dropped into water. Return the appliance to the nearest authorized dealer or service center for examination, repair, electrical or mechanical adjustment.
4. Never operate the appliance with any air openings blocked. Keep ventilation openings of the sewing machine and foot control free from the accumulation of lint, dust, and loose cloth.
5. Keep fingers away from all moving parts. Special care is required around the sewing machine needle.
6. Always use the proper stitch plate. The wrong plate can cause the needle to break.
7. Do not use bent needles.
8. Do not pull or push fabric while stitching. It may deflect the needle causing it to break.
9. Switch the sewing machine off “O” when making any adjustments in the needle area, such as threading needle, changing needle, threading bobbin, or changing presser foot.
10. Always unplug the machine from the electrical outlet when removing covers, when lubricating or when making any other user servicing adjustments mentioned in the instruction manual.
11. Never drop or insert any object into any opening.
12. Do not use outdoors.
13. Do not operate where aerosol (spray) products are being used or where oxygen is being administered.
14. To disconnect, turn all controls to the off “O” position, then remove plug from outlet.
15. Do not unplug by pulling on cord. To unplug, grasp the plug, not the cord.
16. Basically, the machine should be disconnected from the electricity supply when not in use.
17. If the power cord of this appliance is damaged, it must be replaced with a special cord by your nearest authorized dealer or service center.
18. (Except USA/Canada) This machine is provided with double insulation.  
Use only identical replacement parts. See instructions for servicing Double-Insulated machine.

## “SERVICING DOUBLE-INSULATED PRODUCTS”

In a double-insulated product, two systems of insulation are provided instead of grounding. No grounding means is provided on a double-insulated product nor should a means for grounding be added to the product. Servicing a double-insulated product requires extreme care and knowledge of the system and should only be done by qualified service personnel. Replacement parts for a double-insulated product must be identical to those parts in the product. A double-insulated product is marked with the words DOUBLE INSULATION or DOUBLE INSULATED.

The symbol  may also be marked on the product.

## “SAVE THESE INSTRUCTIONS”

“This sewing machine is intended for household use only.”

Congratulations on your purchase of a JUKI sewing machine.



Please be sure to read safety precautions in “To use the sewing machine safely” in the Instruction Manual before use to fully understand the functions and operating procedures of the sewing machine so as to use the sewing machine for a long time.

After you have read the Instruction Manual, please be sure to keep it together with the warranty so that you can read it whenever necessary.











## To use the sewing machine safely

Marks and pictographs included in the Instruction Manual and shown on the sewing machine are used so as to ensure safe operation of the sewing machine and to prevent possible risk of injury to the user and other people.

Warning marks are used for different purposes as described below.

 <b>WARNING</b>	Indicates that there is a possible risk of death or serious injury if this mark is ignored and the sewing machine is used in a wrong manner.
 <b>CAUTION</b>	Indicates the operation, etc. which can cause a possible risk of personal injury and/or physical damage if this mark is ignored and the sewing machine is used in a wrong manner.

Pictographs mean the following:

	<b>Danger warning which is not specified</b>		<b>There is a risk of electrical shock</b>		<b>There is a risk of fire</b>		<b>There is a risk of injury to hands, etc.</b>
	<b>Prohibited matter which is not specified</b>		<b>Disassembly/alteration is prohibited</b>		<b>Do not place fingers under the needle</b>		<b>Do not pour oil, etc.</b>
	<b>Generally required behavior</b>		<b>Disconnect the power plug</b>				



**⚠ WARNING**

For the combination of the material and the thread and needle, in particular, refer to the explanation table in “Replacement of the needle”.

If the needle or thread does not match the material used such as in the case that an extra heavy-weight material (e.g., denim) is sewn with a thin needle (#11 or higher), the needle can break resulting in an unexpected personal injury.

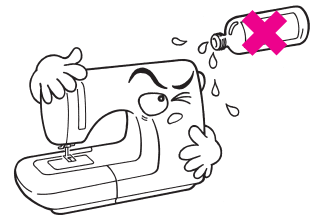
**Other precautions**

- Do not put the sewing machine under the direct sunlight or in a humid place.



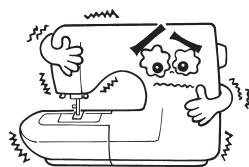
- Do not wipe the sewing machine with solvent such as thinner.

When the sewing machine is soiled, put a small quantity of neutral detergent on a piece of soft cloth and carefully wipe off the sewing machine with it.



Be aware that the following state can take place since the sewing machine incorporates semi-conductor electronic parts and precise electronic circuits.

- Be sure to use the sewing machine in the temperature range from 5°C to 40°C. If the temperature is excessively low, the machine can fail to operate normally.



- This sewing machine will stop due to safety mechanism to prevent the machine from overheating, when it sews slowly and for a long time. In this event, Start and Stop button will not light.

The sewing machine will return to working condition after about 10 minutes.



\* The operating temperature of the sewing machine is between 5°C and 40°C. Do not use the sewing machine under the direct sunlight, near the burning things such as a stove and candle, or in a humid place. By so doing, the temperature in the interior portion of the sewing machine can rise or the coating of the power cord can melt, causing fire or electrical shock.

# CONTENTS

Important safety instructions .....	1~3
Principal parts .....	5
Accessories .....	6

## Basic operations

Function of operational buttons .....	7
Connecting to the power supply .....	8
Speed control .....	9
Presser foot lifting lever .....	9
Name and function of other operational buttons ...	10, 11
Changing the presser foot .....	12, 13
Bobbin thread preparation .....	14, 15
Needle thread preparation .....	16, 17
Threading the needle thread	
Automatic needle threader	
Pulling up the bobbin thread	
Attaching the needle .....	18
Fabric, thread and needle table .....	18
How to adjust thread tension .....	19
How to lower feed dog .....	19
How to select a stitch pattern .....	20, 21

## Practical sewing

Straight stitch .....	22~26
How to use seam guide line on the throat plate	
How to change needle positions	
How to change the stitch length	
Automatic lock stitch and programmed thread trimming	
Other straight stitch patterns	
Zigzag stitch .....	26
Overcasting stitch .....	27
Blind stitch .....	28, 29
Buttonhole stitches .....	30~33
Standard buttonholing	
Keyhole buttonholing	
Buttonhole with gimp	
When changing the width of the buttonhole	
When changing the density of the seam	
Bartacking .....	34
Inserting zippers .....	35, 36
Side zipper attachment	
Butted zipper attachment	
Shirring and gathering .....	37
Pintucking .....	37
Welt seam .....	38
Decorative stitches and one point pattern .....	38
Scallop stitches .....	39

## Patchwork quilt

Quilt .....	39
Applique .....	40

## Decorative stitches

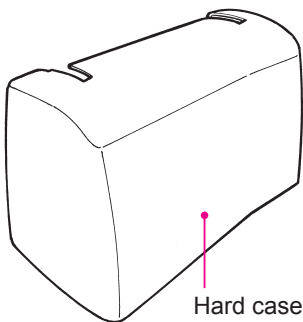
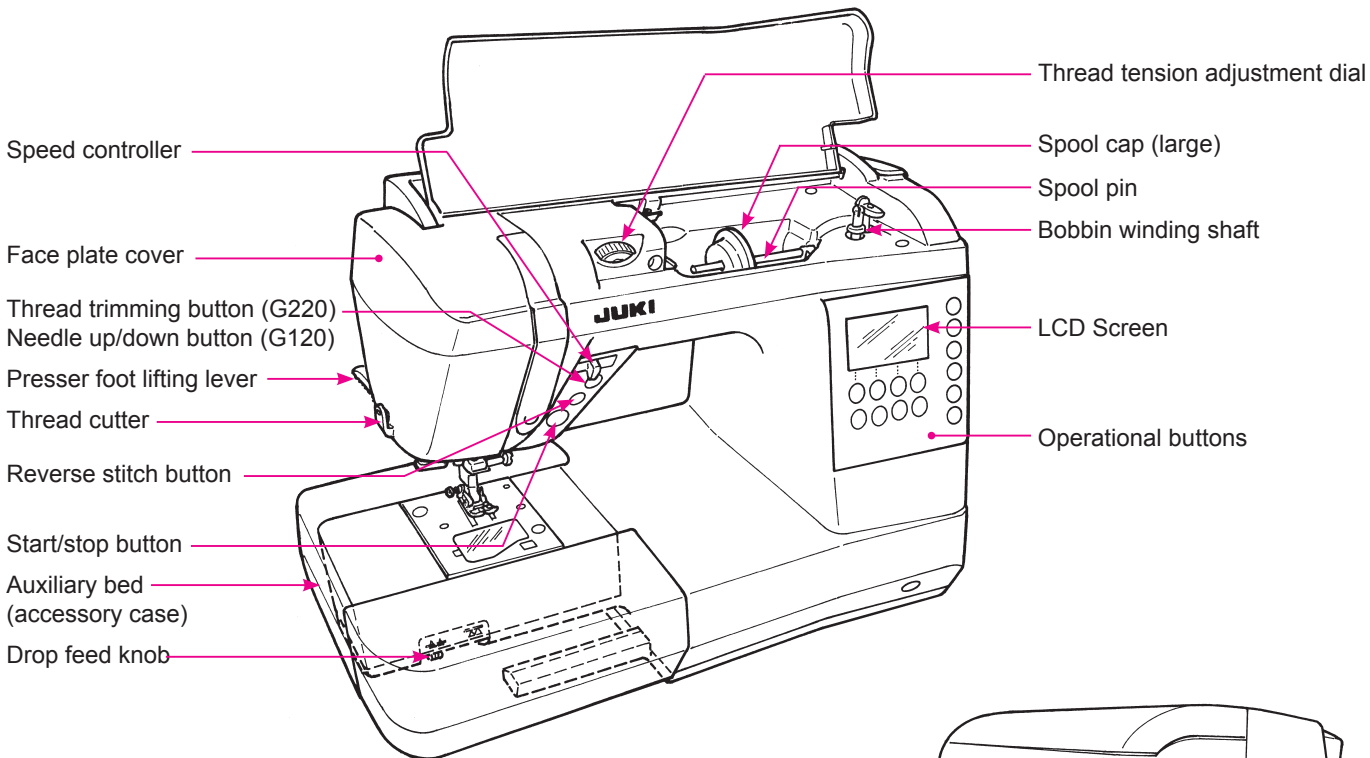
Sewing letters and one point pattern .....	41~43
Preparation before stitching .....	41
Test sewing .....	41
How to select patterns (letters) .....	42, 43
How to stitch a pattern (letters) .....	43
Disposing thread ends of jump stitches .....	43
How to sew combined sewing patterns continuously .....	44

## Optional accessory parts

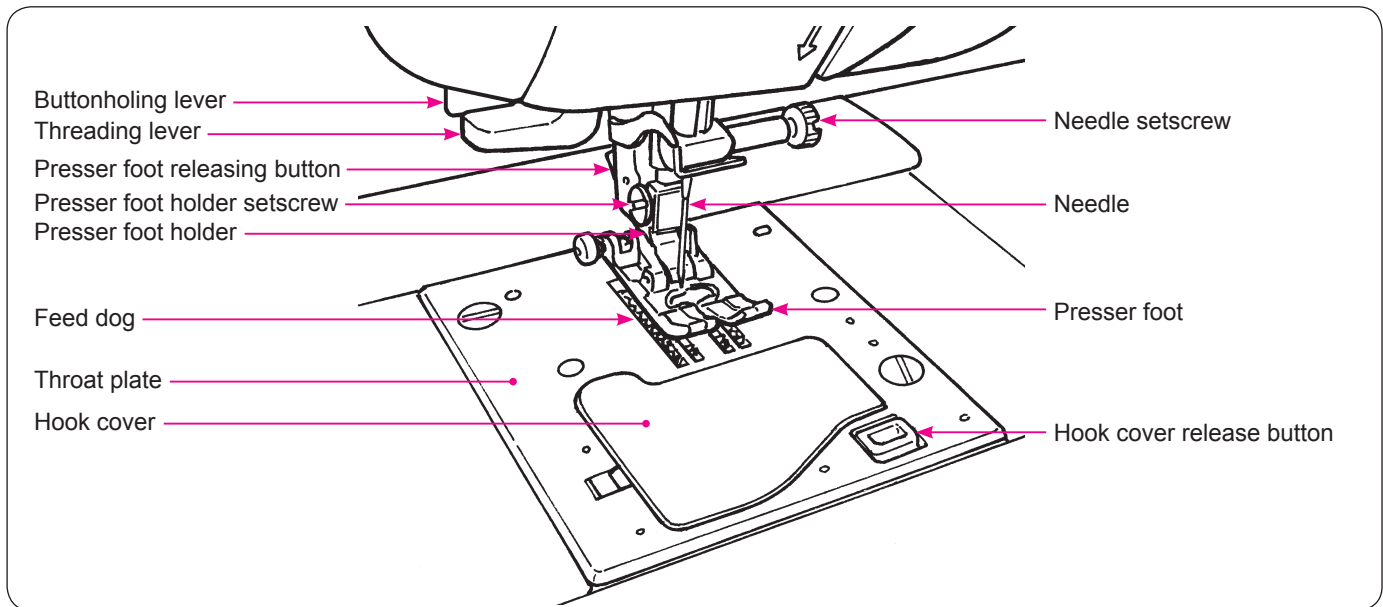
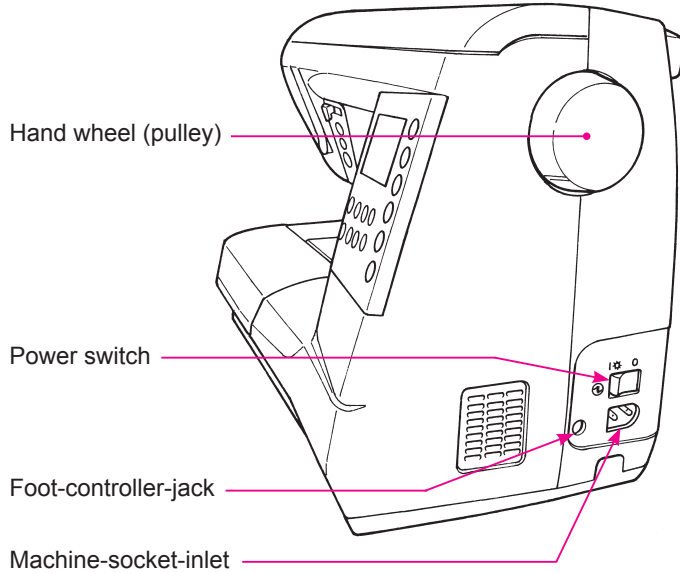
Introduction of optional accessory parts .....	44, 45
How to install wide table .....	46
How to use quilt guide .....	46
Stitch in ditch quilting .....	47
Quilting (straight stitch) .....	47
Quilting (free motion) .....	48

Machine maintenance .....	49
Performance check list .....	50, 51
List of stitch patterns .....	52
Specifications .....	back cover

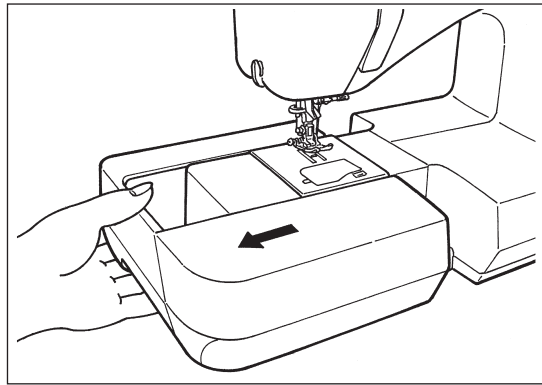
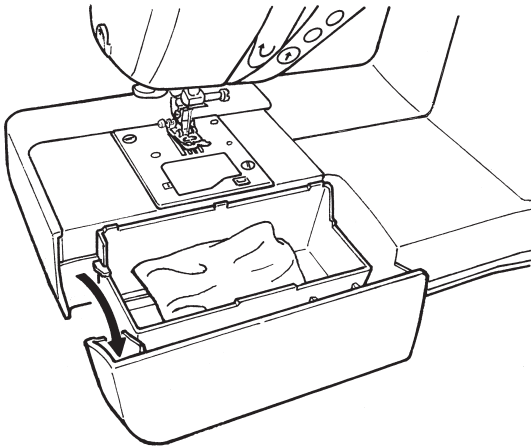
# Principal parts



\* Do not put heavy objects onto hard case and wide table.

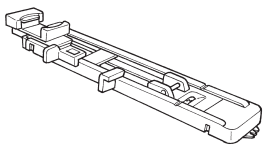


# Accessories



Draw the auxiliary bed out to the left.

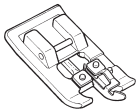
## • Inside the auxiliary bed.



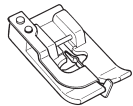
Buttonhole presser foot (E)



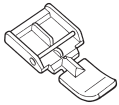
Manual buttonhole presser foot (I)



Overcasting presser foot (C)



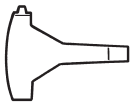
Blind stitch presser foot (D)



Zipper presser foot (B)



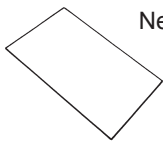
Bobbin (3)



T-shape screwdriver



Ripper / Cleaning brush

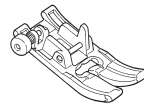


Needle set  
 HAX 1 # 11 (1)  
 # 14 (1)  
 # 16 (1)  
 for knit # 11 (1)



Spool cap (Small)

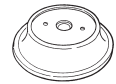
## • Supplied with the machine



Standard presser foot (A)



Bobbin (1)

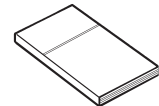


Spool cap (large)

## • Placed at styrofoam



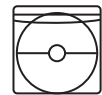
Foot Controller  
 (model name; 4C-339G)



Instruction manual  
 (This manual)

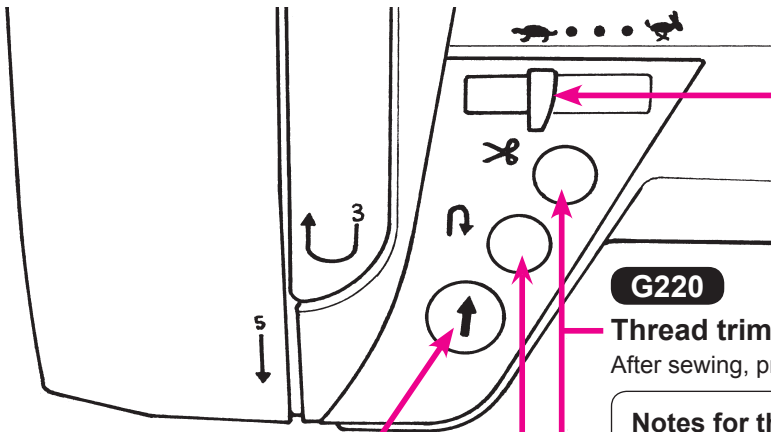


Power cord



Instruction DVD

# Function of operational buttons



**Speed controller**  
While sewing, speed can be adjusted.

**G220**

**Thread trimming button**  
After sewing, press this button to trim both threads automatically.

**Notes for thread trimming:**

1. Do not use thread thicker than No.30.
2. After trimming, the stitch can be done without pulling up bobbin thread.
3. When sewing again after thread trimming, if you pull up the bobbin thread again and place it underneath the presser foot together with needle thread, you can avoid birds nest on the wrong side of the fabric.
4. Regularly clean the machine (refer to page 49), as dust in the area of the thread trimming unit may cause malfunction.

**G120**

**Needle up/down button**  
When machine stops, press this button to change the needle position.  
(When the needle is up, the needle moves down and vice versa.)  
**⚠ Even when the presser foot is raised, be aware that the needle moves up or downward.**

**Start/stop button**

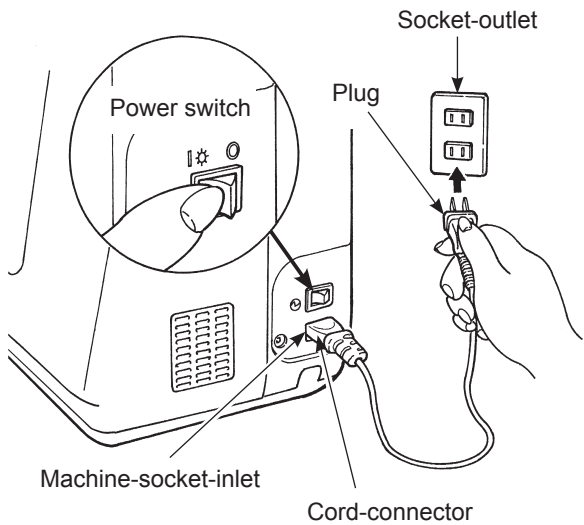
When pressing this button, machine starts to sew slowly and then up to the speed set by speed controller. When pressing this button again, machine stops with needle at its down position. Color of button indicates machine status.

- Green:** Ready to start and/or while sewing
- Red:** Not ready to start (When it is pushed in red condition, needle moves by one stitch.)
- Orange:** Machine is in bobbin winding condition.

**Reverse stitch button**  
While pressing this button, machine sews reverse (lock stitch).

# Connecting to the power supply

<p><b>Warning</b></p>	<p>• Disconnect the plug and turn off the power switch (turn to "O") that always sewing machine is not to use. Otherwise, it may cause electric shock and/or fire.</p>
-----------------------	--

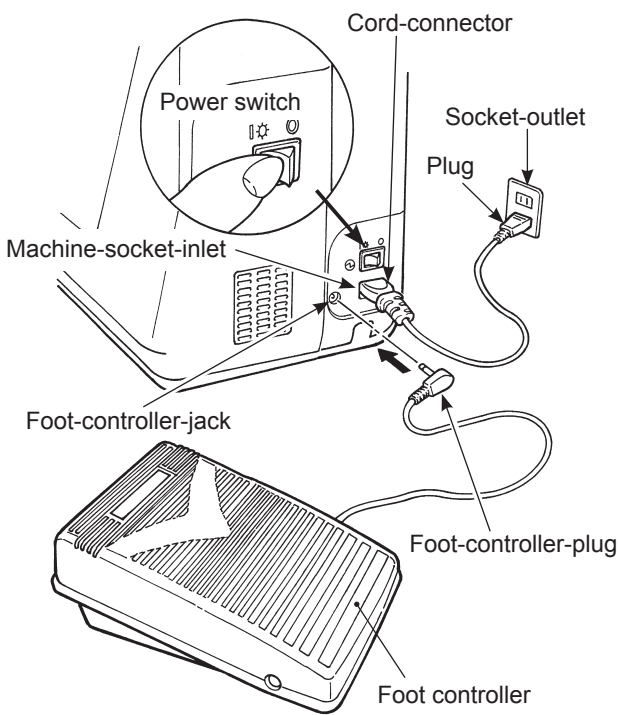


★ **Not-using foot-controller that using start/stop-button:**

1. Turn OFF the power switch (turn to "O")
2. Insert cord-connector into machine-socket-inlet.
3. Insert plug into socket-outlet.
4. Turn ON the power switch. (Turn to "I")

**WARNING (For U.S.A.,Canada only)**

This appliance has a polarized plug (one blade wider than the other). To reduce the risk of electric shock, this plug is intended to fit in a polarized outlet only one way. If the plug does not fit fully in the outlet, reverse the plug. If it still does not fit, contact a qualified electrician to install the proper outlet. Do not modify the plug in any way.



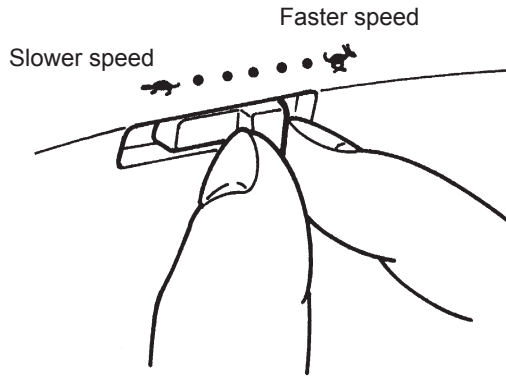
★ **Using the foot-controller:**

1. Turn OFF the power switch (turn to "O")
  2. Insert the foot-controller-plug into the foot-controller-jack.
  3. Insert cord-connector into machine-socket-inlet.
  4. Insert plug into socket-outlet.
  5. Turn ON the power switch. (Turn to "I")
- \* When the foot controller is plugged in, the start/stop button cannot be used to start sewing.  
 Start button: Can not operate to start sewing.  
 Stop button: Can operate to stop sewing.

	<p><b>ON</b></p>
	<p><b>OFF</b></p>

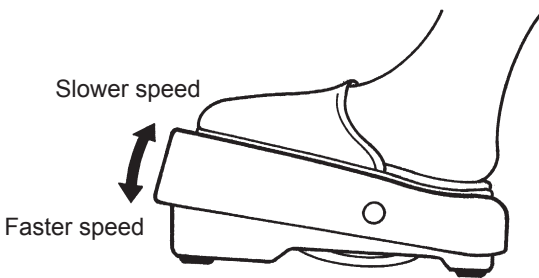
★ **Operating power switch:**  
 Turn OFF the machine, set the power switch to "O".  
 Turn ON the machine, set the power switch to "I".

## Speed control



### ★ Speed controller

Maximum sewing speed can be freely set by the speed controller.



### ★ Foot controller

To run the machine, press the foot controller.

The harder you press, the faster the machine sews.

Speed controller will set the maximum sewing speed.

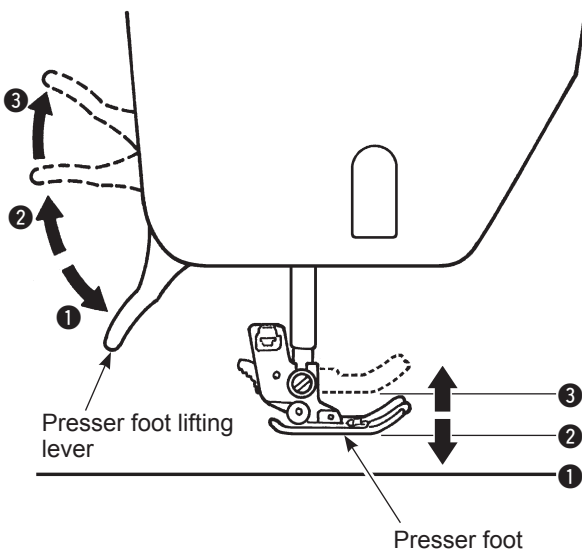
**Pressing harder → faster speed**

**Pressing weaker → slower speed**

\* Always clean the foot controller.

It is important that you do not place any objects on the foot controller as it may cause injury to the user and may cause malfunctions.

## Presser foot lifting lever



The presser foot can be up or down position by using the presser foot lifting lever.

① Lowered position ..... Presser foot should be lowered when sewing.

② Ordinary lift position ..... This position is used for fabric removal and/or changing the presser foot.

③ Extra lift position ..... This position is used to put heavy materials underneath the presser foot.

\* Be careful that the presser foot and the needle should not interfere when the needle is in down position and the presser foot is raised to the extra lift position.

# Name and function of other operational buttons

## Operational buttons and screen

**G220**

**Needle stop position**

	Needle stops at its highest position
	Needle stops at its lowest position

**Presser foot to be used (marking)**

**Pattern number**

**Zigzag width**

**Stitch length**

**Pattern select mode**

	Practical patterns
	One-point patterns
	Letters

**4 Automatic lock stitch and thread trimming button**

**5 Needle up/down button / Needle stop position switching button**

**6 Pattern selection mode switching button**

**7 Memory button**

**8 Clear button**

**9 Pattern adjustment button**

**G120**

**Needle stop position**

	Needle stops at its highest position
	Needle stops at its lowest position

**Presser foot to be used (marking)**

**Pattern number**

**Zigzag width**

**Stitch length**

**Pattern select mode**

	Practical patterns
	One-point patterns
	Letters

**4 Automatic lock stitch button**

**5 Needle stop position switching button**

**6 Pattern selection mode switching button**

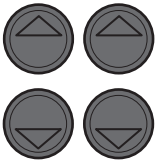



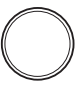
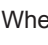

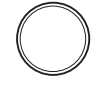



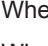
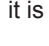
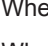


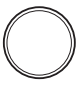
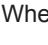
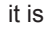
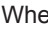
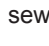

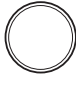



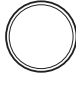


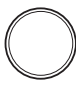
**7 Memory button**

**8 Clear button**

**9 Pattern adjustment button**



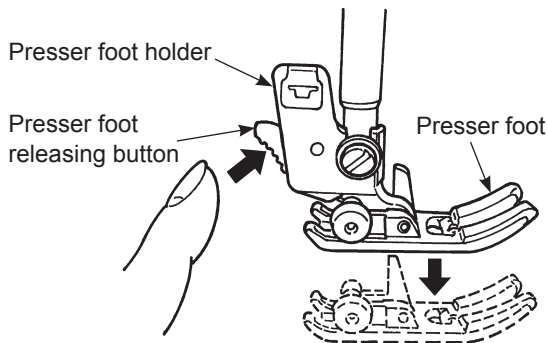
■ Name and function of operational buttons

1		<b>Pattern selection button</b>	This is used to choose the pattern. Left side for number of tens. Right side for number of units.
2		<b>Zigzag width adjustment buttons</b>	This is used to change the zigzag width and the needle position.
3		<b>Stitch length adjustment buttons</b>	This is used to change the stitch length.
4	<b>G220</b>  	<b>Automatic lock stitch and thread trimming button</b>	When it is pressed, symbol “  ” will be shown on the screen. The machine will automatically lock stitches at sewing-start and sewing-end and then trim both threads.
	<b>G120</b>  	<b>Automatic lock stitch</b>	When it is pressed, symbol “  ” will be shown on the screen. The machine will automatically lock stitches at sewing-start and sewing-end.
5	<b>G220</b>  	<b>Needle up/down button / Needle stop position switching button</b>	While sewing machine stops sewing, press this button to change up/down position of the needle instantly. When the needle is in up position and press it, then needle moves down and when the needle is in down position and press it, then needle moves up. When the button is pressed continuously, it is programmable and you can choose the needle stop position either up or down. When it is pressed, either symbol “  ” or “  ” will be shown on the screen. When sewing with symbol “  ”, the needle stops at its highest position. When sewing with the symbol “  ”, the needle stops at its lowest position.
	<b>G120</b>  	<b>Needle stop position switching button</b>	When it is pressed, either symbol “  ” or “  ” will be shown on the screen. When sewing with symbol “  ”, the needle stops at its highest position. When sewing with the symbol “  ”, the needle stops at its lowest position.
6	 	<b>Pattern selection mode switching button</b>	This is used to change the pattern selection mode. Practical patterns  / One point patterns (Decorative patterns)  / Letters 
7	<b>MEM</b> 	<b>Memory button</b>	This is used to store the selected letters or one point patterns into memory.
8	<b>CLR</b> 	<b>Clear button</b>	This is used to delete the selected stitch pattern. When the button is pressed just one time, the selected pattern will be deleted and when it is pressed continuously, all the saved stitch patterns will be deleted.
9	 	<b>Pattern adjustment button</b>	This is used to adjust the shape of patterns. (Refer to page 41)

# Changing the presser foot

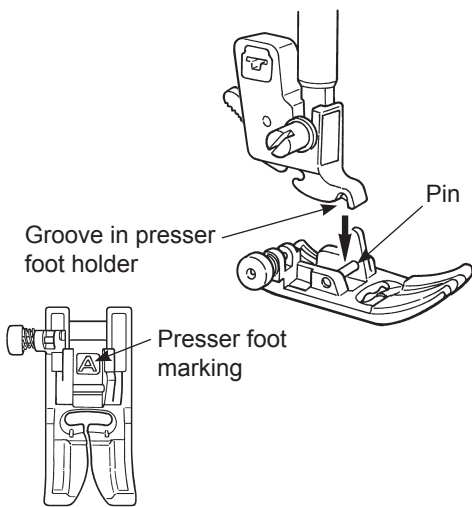
## ■ Removing and installing the presser foot

 <b>Attention</b>	Turn OFF the power switch before replacing the presser foot.
--	--



### ★ Removing presser foot

1. Raise the needle and presser foot.
2. Press the presser foot releasing button to remove the presser foot.



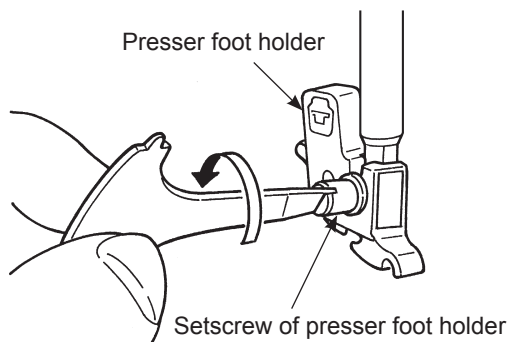
### ★ Installing presser foot

Align the pin of the presser foot and the groove in the presser foot holder.

Then lower the presser foot holder with the presser foot lifting lever.

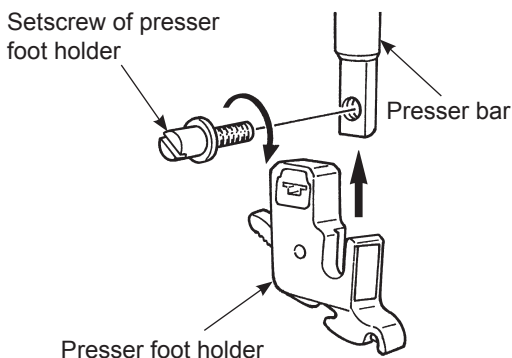
\* Each presser foot has a marking. Use the appropriate presser foot for the stitch pattern to be sewn.

## ■ Removing and installing presser foot holder



### ★ Removing presser foot holder

1. Lift the needle and presser foot lifting lever.
2. Loosen the setscrew of the presser foot holder to the left and remove the presser foot holder.



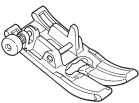
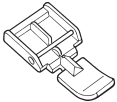
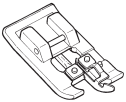
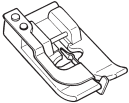
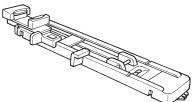

### ★ Installing presser foot holder

Align the screw hole at the presser bar with the hole of presser foot holder (long groove). Tighten the setscrew firmly by turning it to the right side.

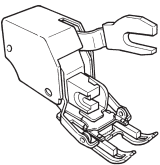
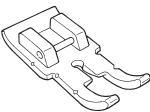
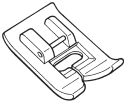
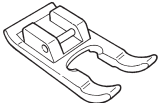
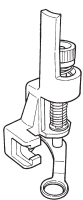
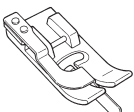
## ■ The type and application of the presser foot

Marking of presser foot



	<b>Standard presser foot</b>	<b>A</b>	This is used mainly for straight stitch and zigzag stitches. Use this presser foot especially when sewing heavy-weight materials.
	<b>Zipper presser foot</b>	<b>B</b>	This is used to attach zippers.
	<b>Overcasting presser foot</b>	<b>C</b>	This presser foot is used exclusively for overcasting to prevent the cut edge of fabrics from fraying.
	<b>Blind stitch presser foot</b>	<b>D</b>	This presser foot is used for blind stitch on hems of trousers and skirts, or sleeves.
	<b>Buttonhole presser foot</b>	<b>E</b>	This presser foot is used for automatic buttonholing.
	<b>Manual buttonhole presser foot</b>	<b>I</b>	This is used for sewing decorative stitches, letters and bartacks.

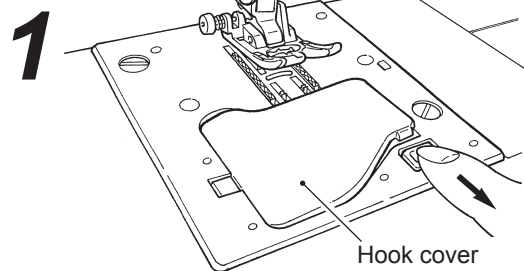
## ★ Optional presser feet

	<b>Walking foot</b>	<b>N</b>	In general, this presser foot is used for difficult-to-feed” materials such as knits, jersies, vinyl, artificial leather and leather or quilting.
	<b>Patchwork presser foot</b>	<b>P</b>	This presser foot is used for patchwork stitches. There are two seam lines, 1/4-inch and 1/8-inch from center needle position.
	<b>Smooth presser foot</b>	<b>T</b>	This presser foot is used for non-slippery materials like vinyl and satin stitches.
	<b>Open toe presser foot</b>	<b>O</b>	This is used for the applique and decorative stitches. (Front part of the presser foot is open for better visibility.)
	<b>Quilt presser foot</b>	<b>Q</b>	This is used for the quilt stitch. (Machine setting: Straight Stitch and Center needle position)
	<b>Edge Sewing presser foot</b>	<b>R</b>	This is used for patchwork, sewing center line of joined materials by using the center guide of the presser foot. * Fine tune the needle position by zigzag width adjustment dial.

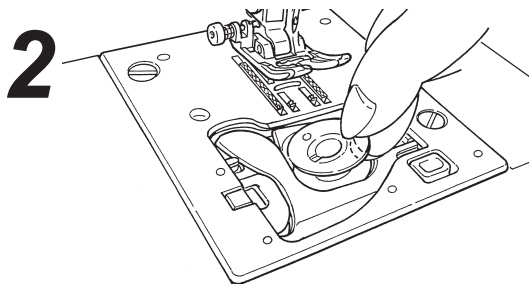
# Bobbin thread preparation

**Attention** Turn OFF the power switch before the bobbin is taking out and/or put into the bobbin case.

## ■ Taking out the bobbin



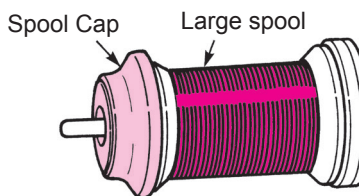
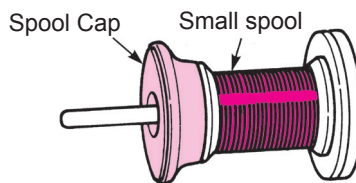
- Open the hook cover.



- Take out the bobbin.

\* If the bobbin has too little thread, do not use it as the thread will get tangled.  
 \* Use only the designated bobbin. Other bobbins may cause malfunction.

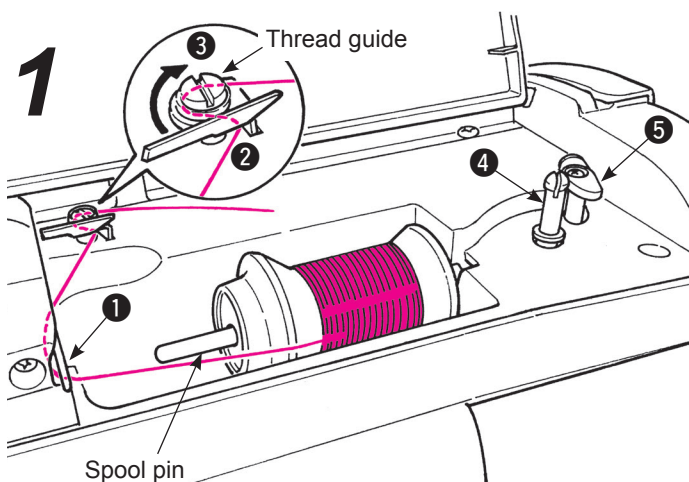
## ■ Setting thread spool



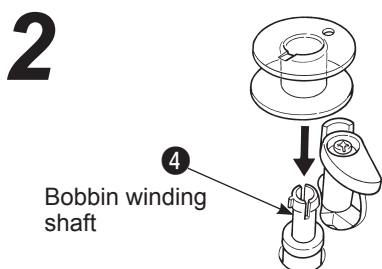
- Place a thread spool to spool pin and a spool cap onto the spool pin.

\* Do not use the thread cone with a small amount of thread. This may cause thread tangling and/or the thread coming out of the eye of the needle when starting to sew.

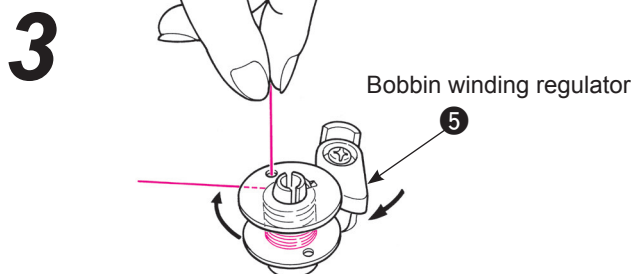
## ■ Winding the bobbin thread



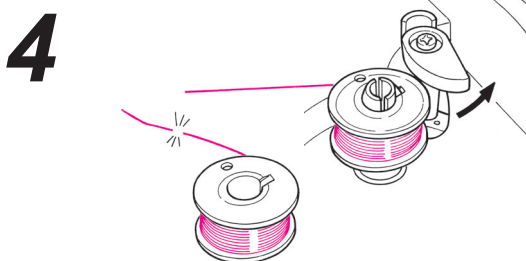
- Thread the guide ①, then thread the thread guides ② and ③ (guides in the circle) for bobbin winding.



- Set the bobbin on the bobbin winding shaft ④.



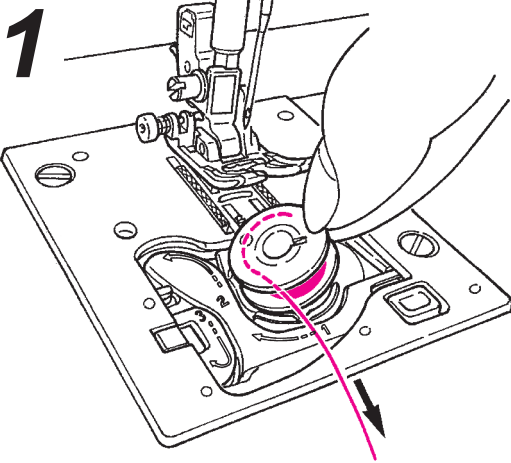
- Press the bobbin winding regulator ⑤ towards the bobbin. Start/stop button now becomes orange. When start/stop button is pressed, machine starts to wind the bobbin thread.



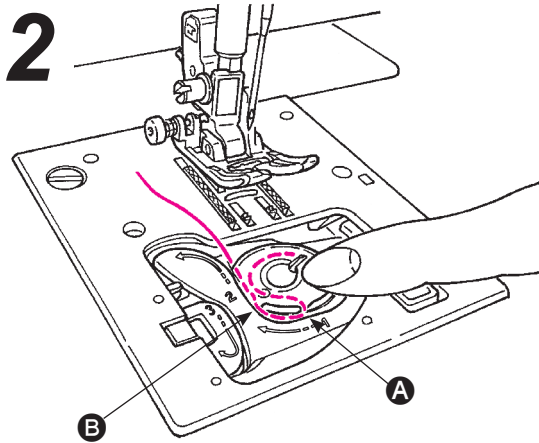
- When winding is finished, the shaft stops automatically, the bobbin winding regulator moves to right and return to the original position. Remove the bobbin from the bobbin winding shaft and cut the thread.

\* Bobbin winding will automatically stop even while winding, when the winding speed is reduced due to a load to the bobbin winding motor caused by thread tangling.

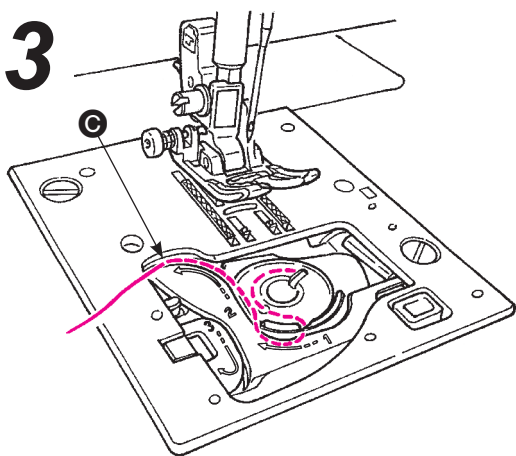
■ Setting the bobbin



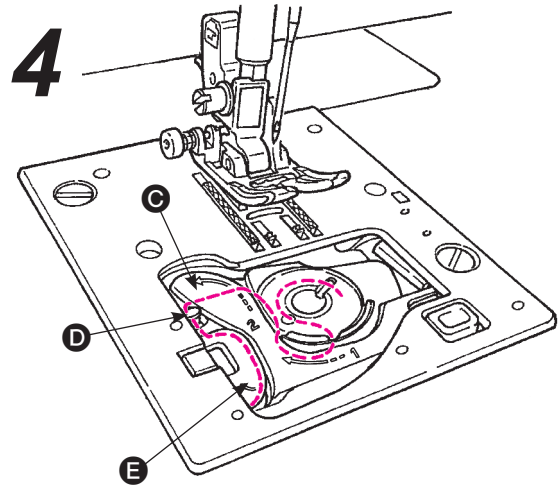
- Put the bobbin in the bobbin case.
- \* Place the bobbin so that thread winds counterclockwise.



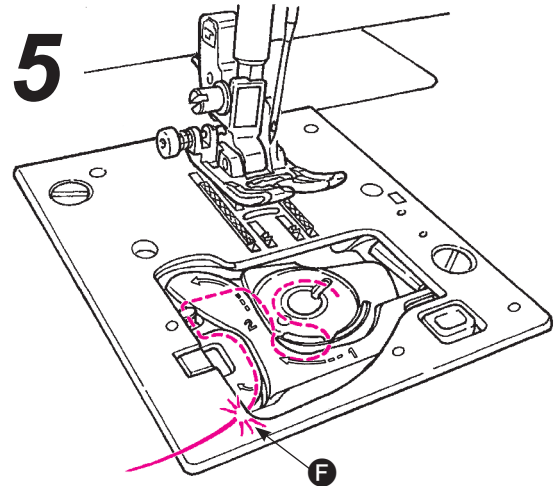
- Thread groove **A** and **B** by pulling the thread end.
- \* It will be easier to thread grooves when you press the bobbin lightly with your finger.



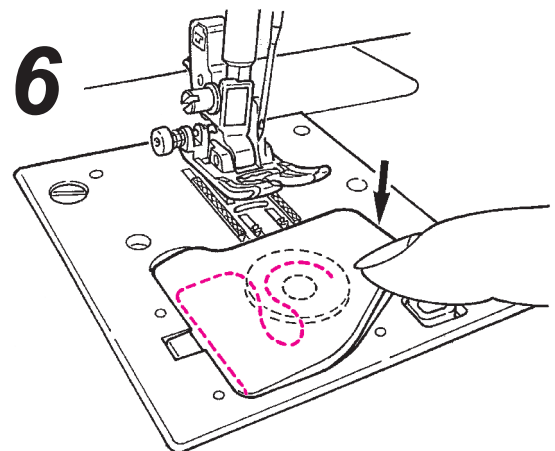
- Thread guide **C** by pulling the thread to left side.



- Thread to guide **D** and **E** leave the thread underneath. (Thread guide **E** first and it will thread to guide **D** as well.)
- \* When pulling bobbin thread, bobbin rotates counterclockwise. If bobbin rotates clockwise, put the bobbin upside down.



- Cut the thread with the built-in cutter **F**.



- Close the hook cover.

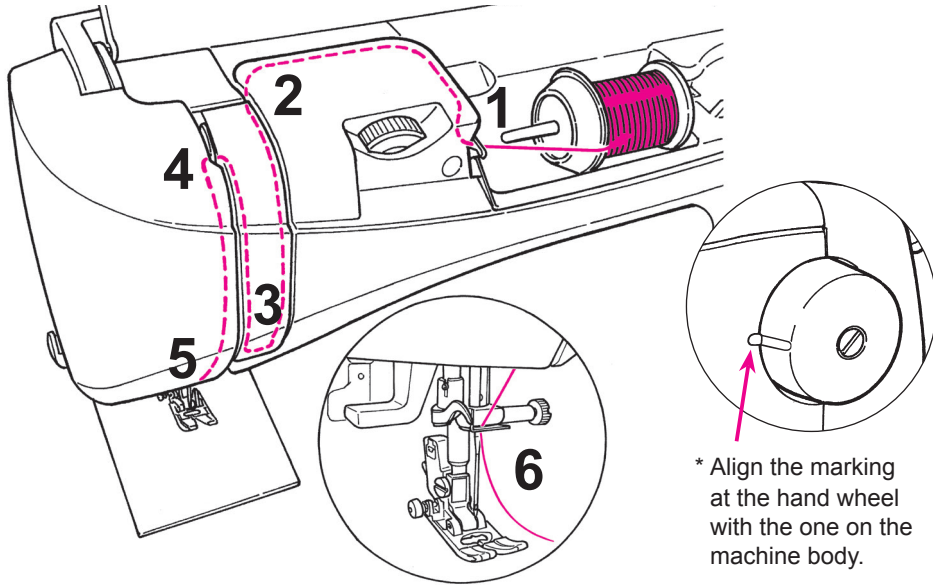
You can start to sew in this condition (without pulling up the bobbin thread), however, if you want to sew with the bobbin thread pulled out, refer to "Pulling up the bobbin thread" in the page 17.



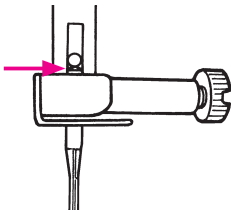
# Needle thread preparation

**Warning** Turn OFF the power switch before winding the bobbin thread.

## Threading the needle thread



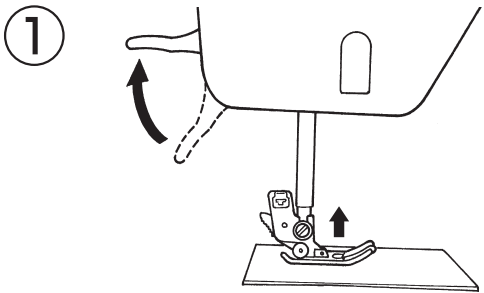
**Note :**  
Make sure to push the needle to the top.



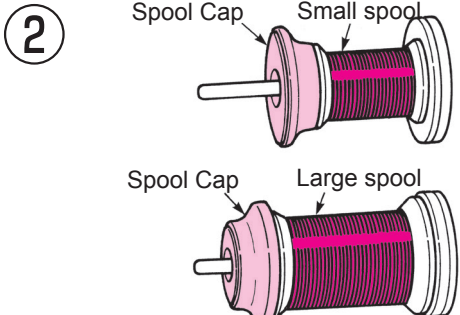
It is impossible to perform stitching if the needle is not correctly installed or a bent needle is used. Pay close attention as this will cause machine malfunction.

\* Use the needle: No.11-16 and the thread: No.30-90.  
\* When twin needle is used, the automatic needle threader can not be used.

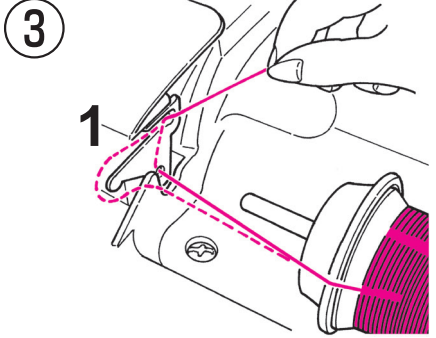
\* Align the marking at the hand wheel with the one on the machine body.



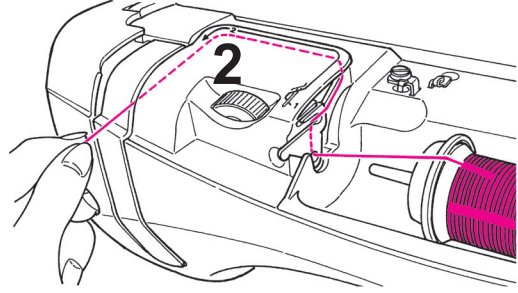
● Lift the presser foot lifting lever.



● Place a thread spool to the spool pin and a spool cap onto the spool pin.



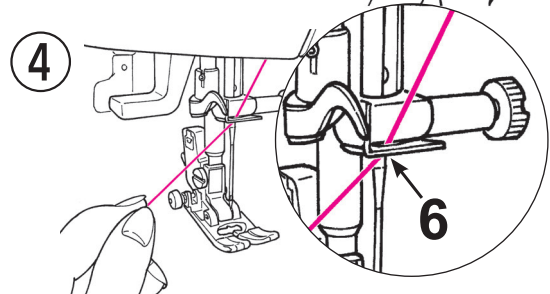
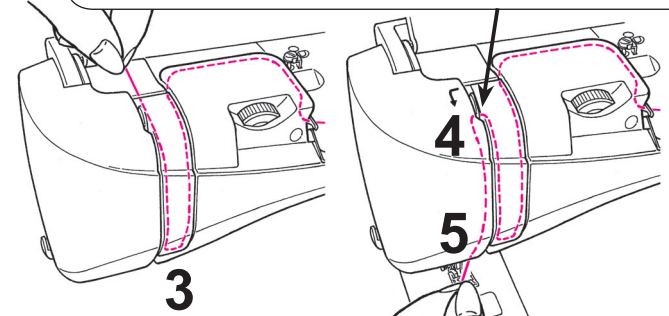
● Thread to guide 1.



● Hold the thread end and thread according to the arrow marking.

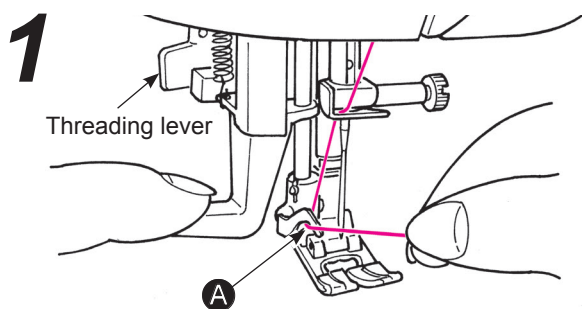
\* Make sure that the presser foot is raised. Otherwise the machine is not correctly threaded.

\* Check that the thread take-up is correctly threaded.

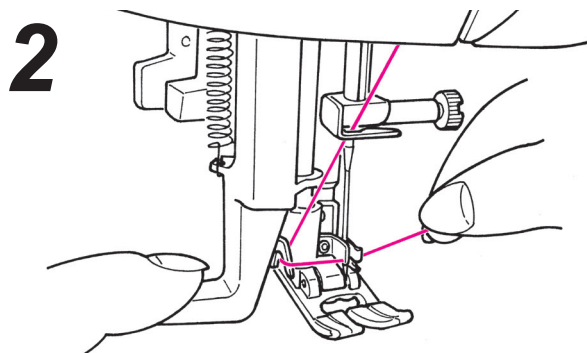


● Thread the guide 6 from the right-hand side.

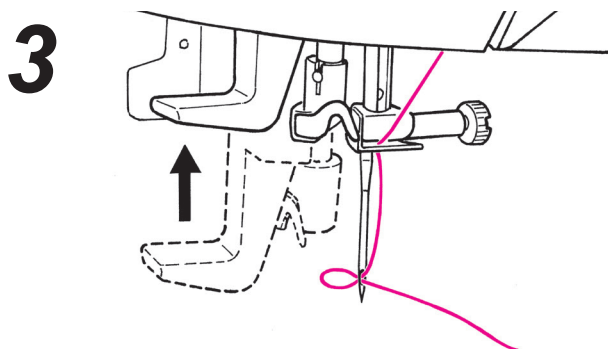
## ■ Automatic needle threader



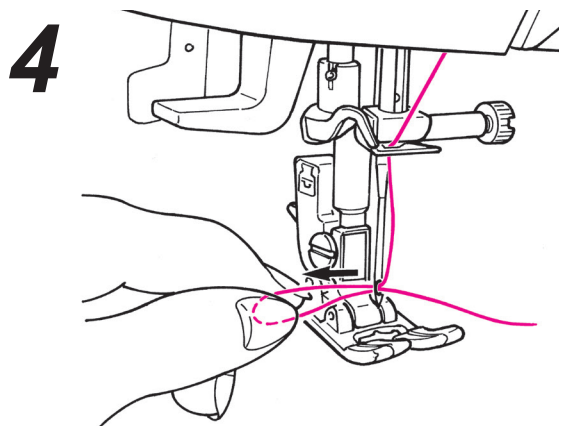
- Lower the presser foot.
- Raise the needle. Then, lower the needle threader halfway (until it becomes heavy) and thread the thread to **A**.



- Lower the needle threader fully. Then, thread the thread between the guides completely. (Needle threader will catch the thread through needle eye.)



- Release the threading lever and the needle thread is threaded to the needle eye.

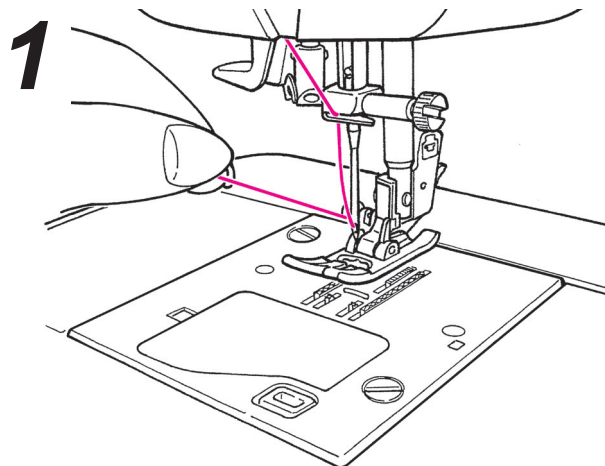


- Pull the thread backward.  
Pull out the thread from the needle eye by approx. 10 cm or 4 inches long.

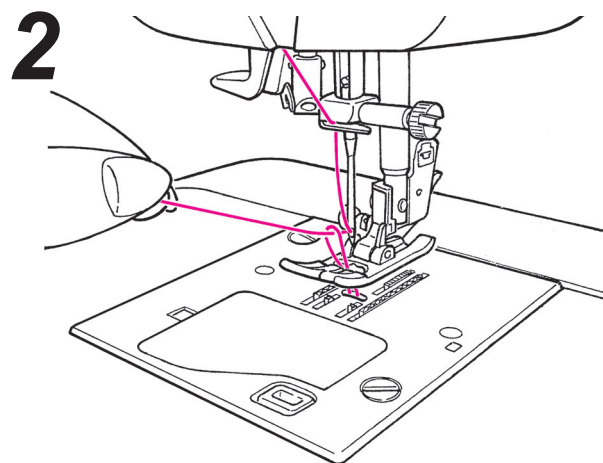
## ■ Pulling up the bobbin thread

### Basic operation:

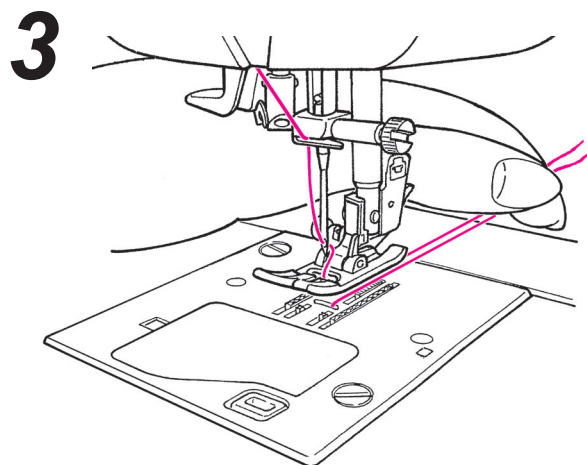
You can start to sew without pulling up the bobbin thread, however, if you want to sew with the bobbin thread pulled out, follow the directions below.



- Lift the presser foot and lightly hold the end of the needle thread.



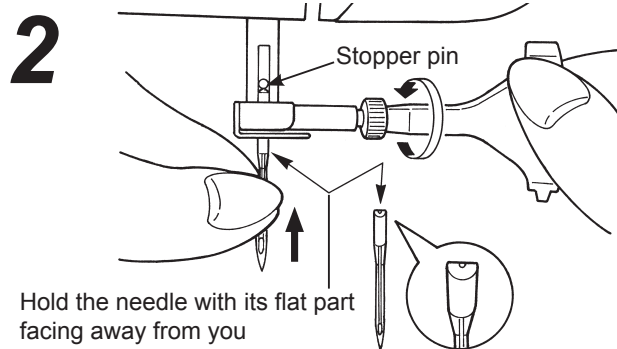
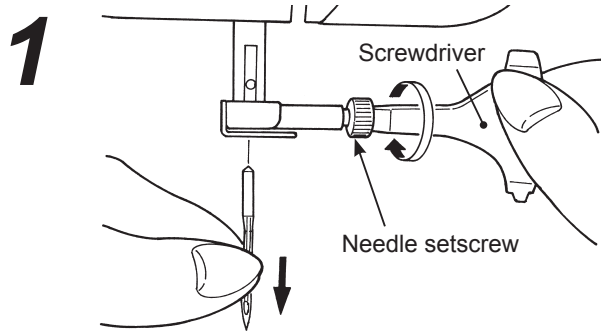
- Turn the hand wheel towards you to move the needle up and down. Loop of bobbin thread will be pulled out when you will pull the needle thread lightly.



- Pull out both needle and bobbin threads by approx. 10 cm (4 inches) long and pass them under the presser foot towards the back of the machine.

# Attaching the needle

**Warning** Turn OFF the power switch before changing the needle.



## ● Removing needle

1. Turn the hand wheel towards you until the needle comes to the highest position and lower the presser foot.
2. Turn the needle setscrew towards you 1-2 times and remove the needle.

## ● Attaching the needle

**(The needle cannot be inserted unless it is correctly positioned.)**

Hold the needle with its flat part facing away from you, and insert it fully until it touches the stopper pin. Securely tighten the needle setscrew.

## ■ Needles to be purchased

When purchasing spare needles, specify HA X 1 (130/705H) or HA X 1 SP (needle for knits).

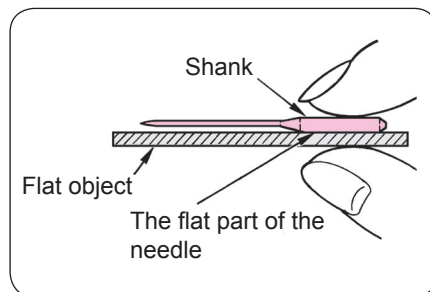


**Needle size:**  
The larger the number, the thicker the needle.

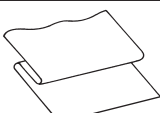
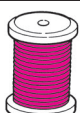
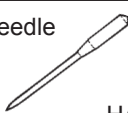
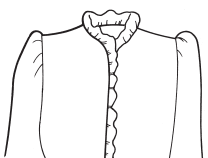


## ■ Checking the needle

Check the needle for its straightness occasionally. Any bent needle would cause skipped stitches, thread breakage or damage to materials.

**Attention: The machine will not sew if the needle is not inserted correctly and/or a bent needle is used. It will cause damage to the machine.**



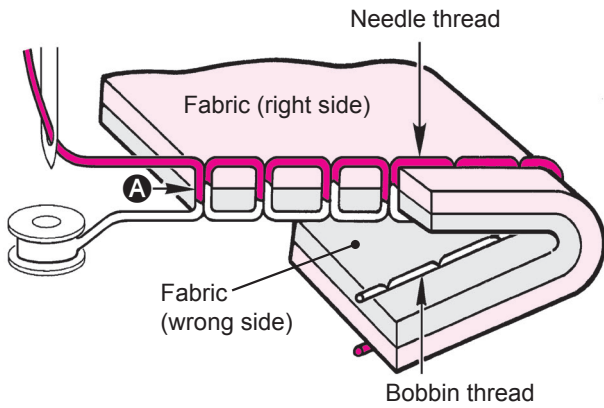
# Fabric, thread and needle table

	Fabric 	Thread 	Needle  HA×1
<b>Light-weight materials</b> 	Lawn	Silk thread ..... No.80,90 Spun thread ..... No.80,90	No.11
	Georgette		
	Tricot	Spun thread ..... No.60-90	Knit needle No.11
<b>Medium-weight materials</b> 	Wool and synthetic fabrics	Silk thread ..... No.80 Spun thread ..... No.60-90	No.11-14
	Cotton and synthetic fabrics	Spun thread ..... No.50, 60	No.11-14
	Light jersey	Silk thread ..... No.50 Spun thread ..... No.50, 60	Knit needle No.11
<b>Heavy-weight materials</b> 	Ordinary wool and synthetic fabrics	Silk thread ..... No.50 Spun thread ..... No.50, 60	No.11-14
	Denim	Spun thread ..... No.30-50	No.14-16
	Jersey	Silk thread ..... No.50 Spun thread ..... No.50, 60	Knit needle No.11-14
	Coat	Silk thread ..... No.50	No.11-14

- \* In general, the same thread is used for both needle and bobbin threads.
- \* Thin thread and needle will be used for light-weight fabrics and thick thread and needle will be used for heavy-weight materials.
- \* Check that the combination of needle and thread is OK by trial sewing on the material which will be sewn.
- \* Knit needle is good for stretchy fabrics (such as knits) and synthetic fabrics.
- \* Use thread No. 30 - 90.
- \* When it is difficult to go over an overlapped section, guide the fabric by hand.
- \* When sewing decorative stitches or letters (Page 21), use knit needle for better finish.



# How to adjust thread tension



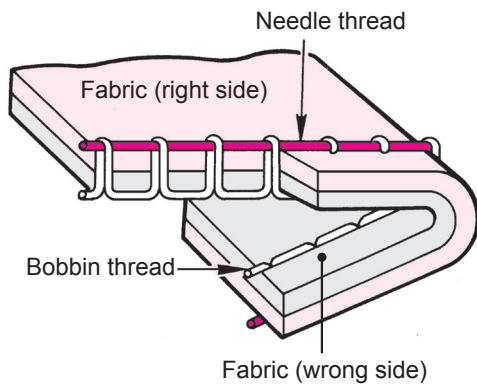
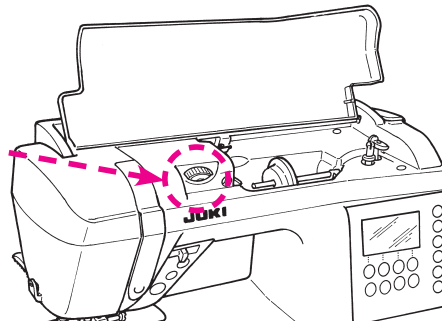
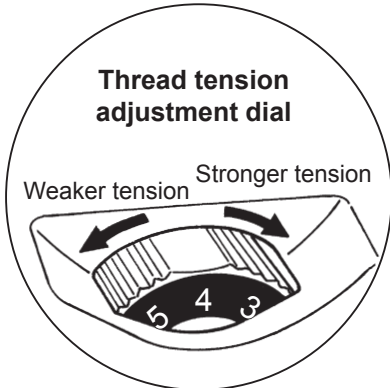
## Well-balanced thread tension

Straight stitch: Needle and bobbin threads interlace with each other at the middle of the fabric thickness. (A)

Zigzag stitch: Needle thread is pulled a little bit to the wrong side of the fabric.

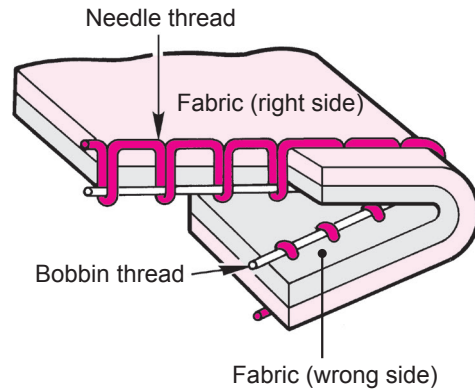
If the machine is set to "4", it is suitable for most fabrics. However, adjustment may be necessary according to fabrics and sewing applications.

If the tension is not correctly set, it will cause imbalanced stitch formation, puckering, and/or thread breakage.



### When the needle thread is too strong:

The bobbin thread will be pulled to the front side of the fabric. Turn the thread tension adjustment dial to choose smaller number.

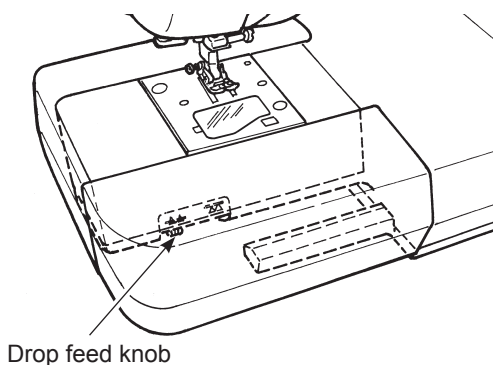


### When the needle thread is too low:

The needle thread will be pulled to the wrong side of fabric. Turn the thread tension adjustment dial to choose larger number.

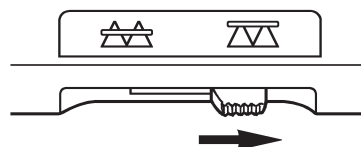
In case a correct tension setting is not obtained, check thread paths for both needle and bobbin threads.

# How to lower the feed dog

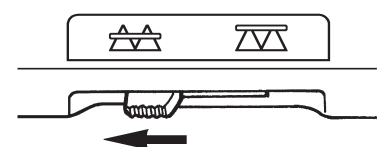


- Move the drop feed knob to the right-hand side, in case the feed dog is in the down position for free motion quilting, button sewing, etc.
  - \* Move the drop feed knob to the left-hand side after sewing. The feed dog will be engaged automatically when the machine starts to sew.

### ★ When lowering the feed dog



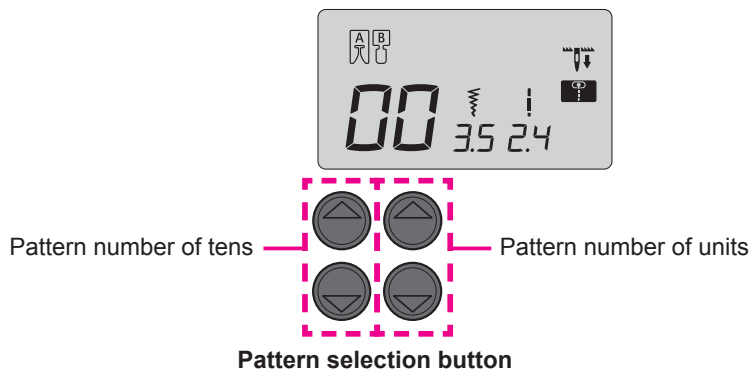
### ★ When lifting the feed dog





# How to select a stitch pattern











- ☆ There are 180 types of stitch patterns.
- ☆ When turning on the machine, the straight stitch of the center needle position is chosen automatically.
- ☆ There are 3 methods to select stitch pattern.














On the LCD screen you will see the selected stitch pattern No. and the marking of the presser foot to be used.



## 1 Practical patterns

Choose  by pattern selection mode switching button . Then choose desired stitch pattern No. by pattern selection button.

Pattern No.	00	01	02	03	04	05	06	07	08	09
Pattern										
Application	Center needle position	Left needle position	Straight stitch for elastic	Zigzag stitch	Three point zigzag	Applique	Overcasting stitch	Blind stitch	Straight reinforced stitch	Buttonhole
		Straight stitch								
Refer to page	22	26	26	27	27	40	27	28	26	30

Pattern No.	10	11	12	13	14	15	16	17	18	19	20	21	22
Pattern													
Application	Center needle position	Left needle position	Right needle position	Two point zigzag	Overcasting stitch	Overcasting stitch Used for lightweight material	Overcasting stitch Used for flexible material	Ornamental pattern	Blind stitch Used for lightweight material	Shell tuck	Bar tack	Eyelet	Darning
	Lock stitch (stay stitches)	Zigzag stitch											
Refer to page	26	26		-	27	27	-	-	28	-	34	-	-

• Buttonhole patterns

Pattern No.	23	24	25	26	27	28	29
Pattern							
Application	Rounded end	Keyhole buttonholes	Rounded end	For knit		Decorative	
Refer to page	30						

• Quilt patterns

Pattern No.	30	31	32	33	34	35	36	37	38	39
Pattern										
Application	Quilt patterns									
Refer to page	39									

② Decorative stitches and one point pattern

Choose by pattern selection mode switching button . Then choose desired stitch pattern No. by pattern selection button.

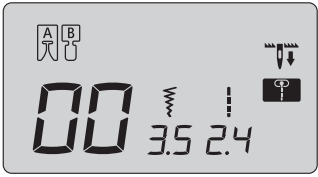
Pattern	00 01 02 03 04 05 06 07 08 09 10 11 12 13 14 15 16 17 18 19
Pattern	20 21 22 23 24 25 26 27 28 29 30 31 32 33 34 35 36 37 38 39
Refer to page	41~43

③ Letters

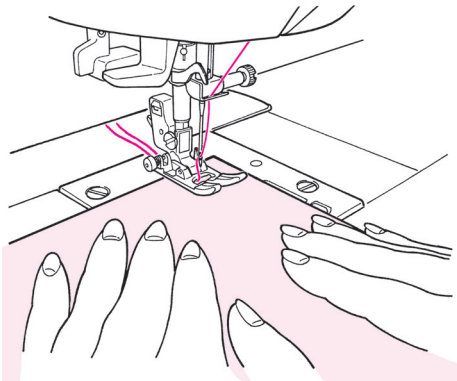
Choose by pattern selection mode switching button . Then choose desired stitch pattern No. by pattern selection button.

Pattern	00 01 02 03 04 05 06 07 08 09 10 11 12 13 14 15 16 17 18 19 20 21 22 23 24 25
	A B C D E F G H I J K L M N O P Q R S T U V W X Y Z
	26 27 28 29 30 31 32 33 34 35 36 37 38 39 40 41 42 43 44 45 46 47 48 49 50 51
	a b c d e f g h i j k l m n o p q r s t u v w x y z
Pattern	52 53 54 55 56 57 58 59 60 61 62 63 64 65 66 67 68 69 70 71 72 73 74 75
	1 2 3 4 5 6 7 8 9 0 @ ! ? & ' " , . - : ;
Pattern	76 77 78 79 80 81 82 83 84 85 86 87 88 89 90 91 92 93 94 95 96 97 98 99
	À Á Â ã ä å è é ê ë Ç œ ç ì Ñ ñ Ò ø ò ö ø Ù ù ü
Refer to page	41~43

# Straight stitch

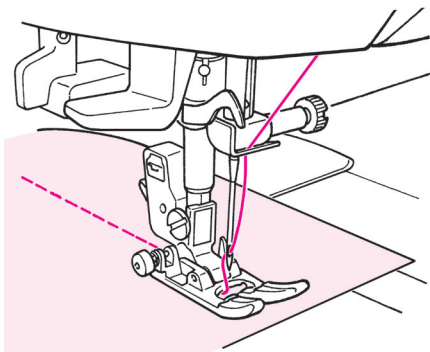
	Pattern No.	Practical 00
	Presser foot	Standard presser foot (A)
	Thread tension	Auto

 <b>Attention</b>	Turn OFF the power switch before replacing the presser foot.
--	--



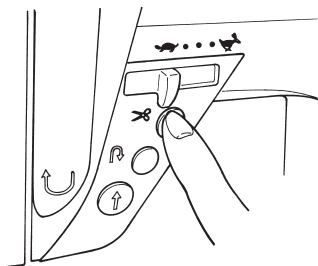
## ■ Sewing start

Pull the needle and bobbin threads under the presser foot to the rear of the machine and lower the presser foot to start sewing.



## ■ Sewing end

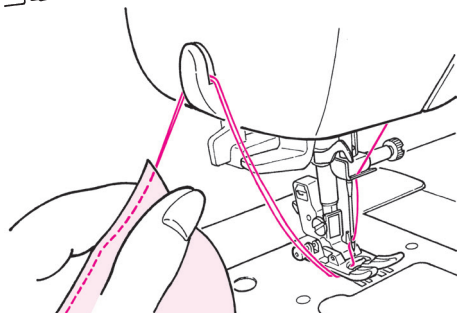
Stop sewing and push the thread trimming button to trim the threads.



### G220

<by thread trimming button>

Push the thread trimming button to trim the threads.

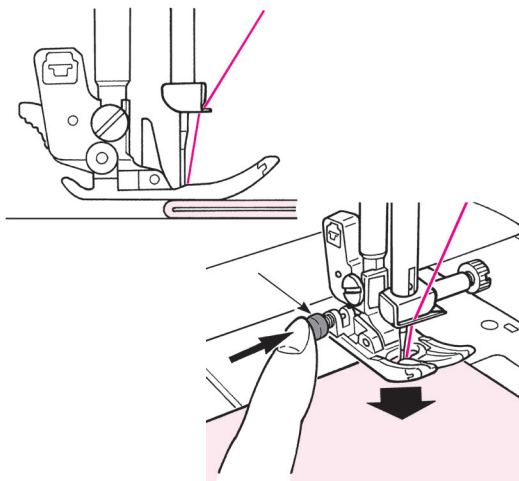


### G220

### G120

<by thread cutter at the face plate cover>

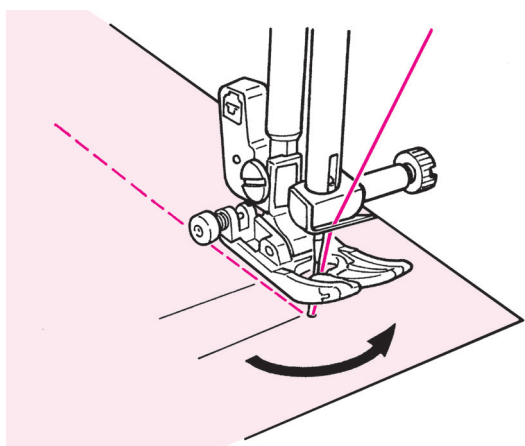
You can also cut the threads by the thread cutter at the face plate cover.



■ **When sewing the edge of thick fabrics**

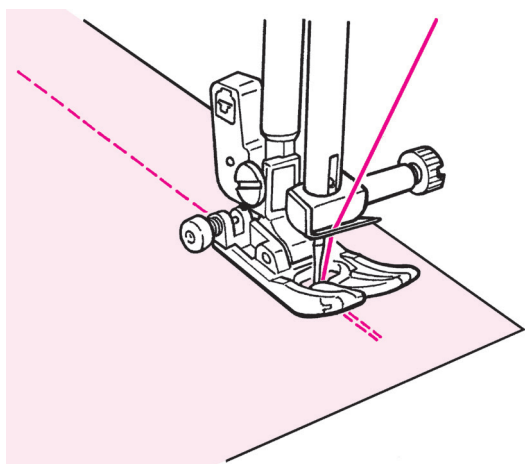
Turn the hand wheel and let the needle enter at the position of sewing start.

Push the black button by finger and lower the presser foot. Release the finger from the black button and start sewing. When the presser foot will be on the fabric completely, the black button will be disengaged automatically.



■ **When changing the sewing direction**

Stop sewing in front of the predetermined position and then continue to sew, stitch by stitch, by using needle up/down button until the target point. Leave the needle inside the fabrics and raise the presser foot. With the needle inside the fabrics change the sewing direction, lower the presser foot and then start sewing.



■ **Lock stitch after sewing-end**

<When start/stop button is used>

After the sewing is finished, push the reverse stitch button. While it is pressed, the machine will sew reverse and when it is released, the machine will stop sewing reverse.

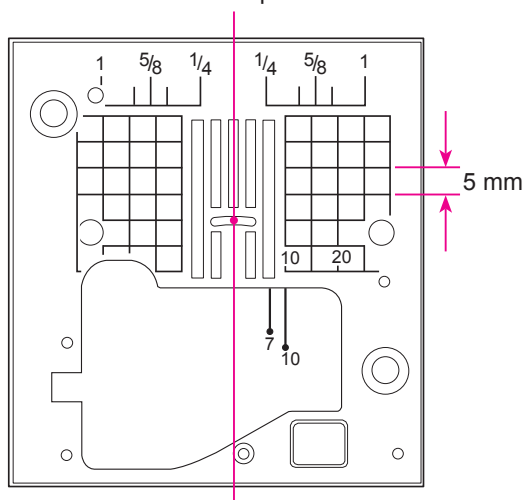
\* When reverse stitching, the sewing speed is slow.

<When foot controller is used>

The machine will sew reverse at almost the same speed as the normal sewing.

When the reverse stitch button is released, the machine sews straight.

On center needle position basis



★ **Seam guide line on the throat plate**

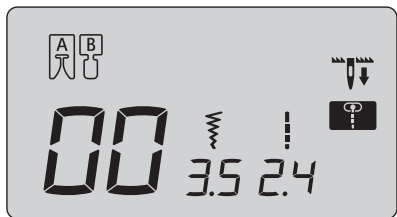
Align the fabric edge with a seam guide line and sew.

\* Numbers on the guide line show the distance in mm and inches between the center needle position and the guide line.

Numbers, 7, 10 and 20 are millimeter.

Numbers, 1/4, 5/8 and 1 are inches.

★ How to change needle positions / How to change the stitch length

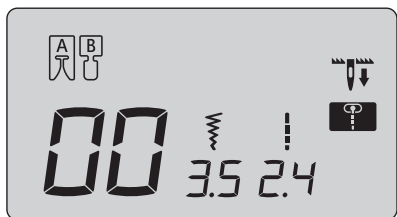
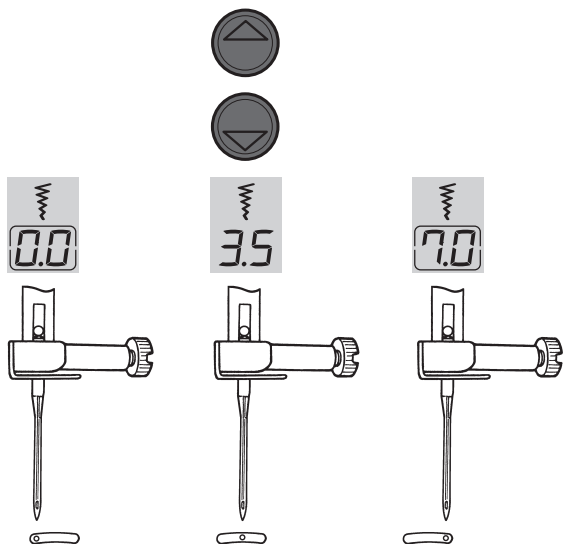


■ When changing the needle position of straight stitch

It is possible to change the needle position with the zigzag width adjusting button.

Pushing "⬅️", the needle moves to the left.

Pushing "➡️", the needle moves to the right.

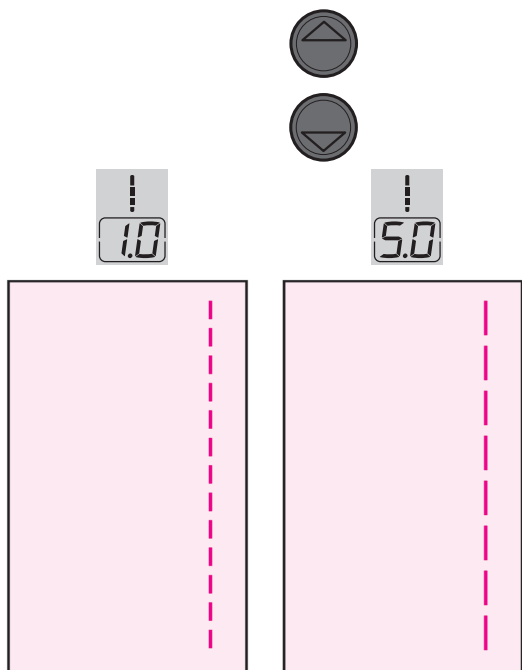


■ When changing the stitch length

It is possible to change the stitch length with the stitch length adjusting button.


Pushing "⬇️", the displayed value becomes smaller and the stitch length becomes smaller accordingly.

Pushing "⬆️", the displayed value becomes larger and the stitch length becomes larger.





**G220**

★ **Automatic lock stitch and thread trimming**

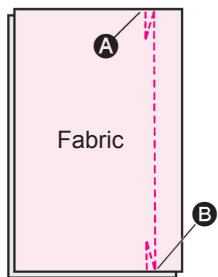
After selecting a stitch pattern, push **↵**  one time.

The machine will sew a few reverse stitches (lock stitches), trim both needle and bobbin threads and stop.

Symbol on screen: **↵** 


When **↵**  is pushed once again, this function will be cancelled.

Example: straight stitch




**G120**

★ **Automatic lock stitch**

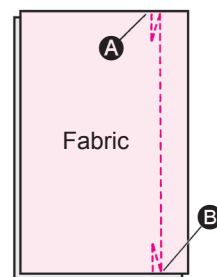
After selecting a stitch pattern, push **↵**  one time.

The machine will sew a few reverse stitches (lock stitches) and stop.

Symbol on screen: **↵** 

When **↵**  is pushed once again, this function will be cancelled.



Example: straight stitch



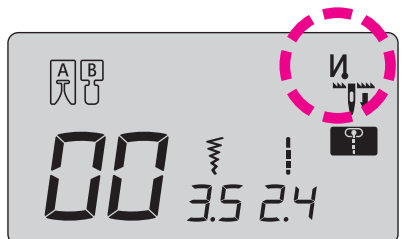
**1**





**G220**

- After selecting a pattern, you can press **↵**  to display **↵**  on the screen.

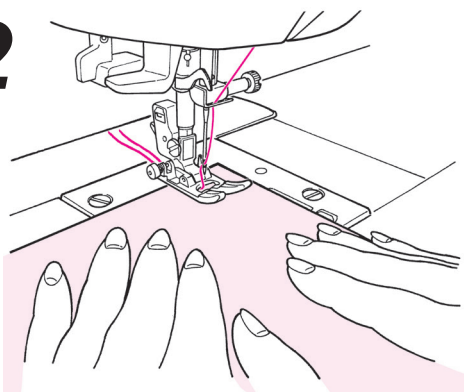
**1**



**G120**

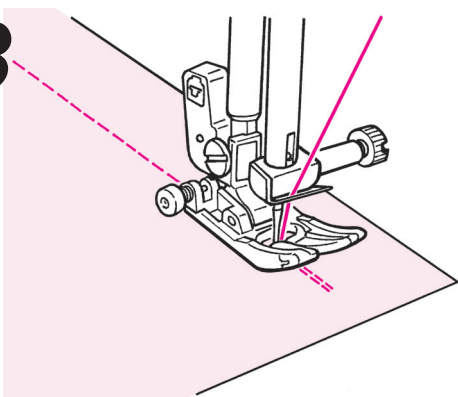
- After selecting a pattern, you can press **↵**  to display **↵**  on the screen.

**2**



- **Place the fabric in the sewing start position and begin sewing.** **A**  
The machine sews a few back stitches and continue.

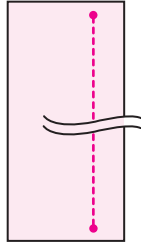
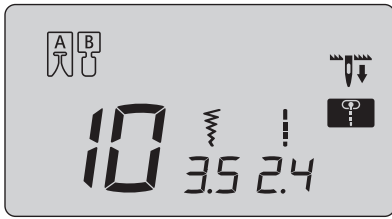
**3**



- **Press the reverse stitch button.** **B**  
The machine sews reverse stitches, stop sewing and trim both needle and bobbin threads automatically.

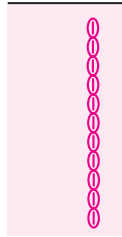
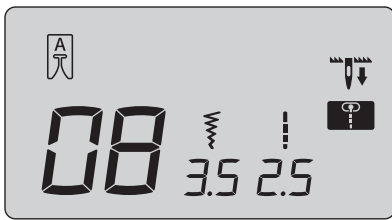


## ★ Other straight stitch patterns



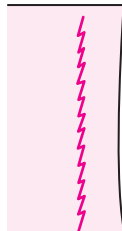
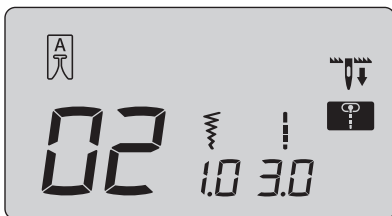
### ■ Lock stitch (stay stitches)

At the sewing-end, push the reverse stitch button.  
The machine will sew several stay stitches and stop.



### ■ Reinforced stretch stitch

The reinforcing stretch stitch helps reinforce seams when used for sewing of elastic fabric or the force-exerted part of fabric that is likely to fray.



### ■ Straight stitch for elastic fabric

Finished seams are elastic. This stitch system can be used for producing straight stitches on elastic fabrics such as knits and jersey.

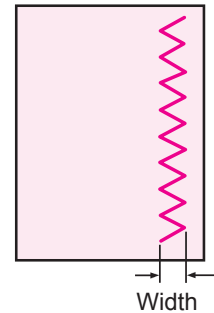
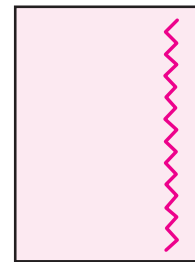
## Zigzag stitch



Pattern No.	Practical 03
Presser foot	Standard presser foot (A)



Turn OFF the power switch before replacing the presser foot.

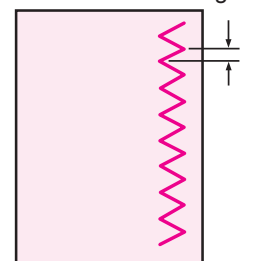
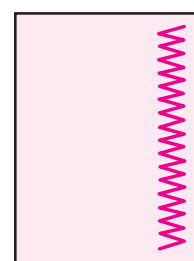
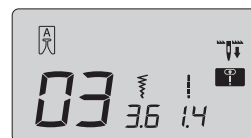


### ■ When changing the zigzag width

The zigzag width can be adjusted while sewing.

Pushing "←", displayed value becomes smaller and the zigzag width becomes smaller accordingly.

Pushing "→", displayed value becomes larger and the zigzag width becomes larger accordingly.



### ■ When changing the stitch length

The stitch length can be adjusted while sewing.

Pushing "↑", the displayed value becomes smaller and the stitch length becomes smaller accordingly.

Pushing "↓", the displayed value becomes larger and the stitch length becomes larger accordingly.



# Overcasting stitch

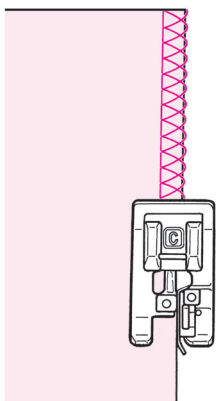
**⚠ Attention**

Turn OFF the power switch before replacing the presser foot.

This stitch is used to prevent the edge of fabric from fraying.

## Overcasting stitch 1

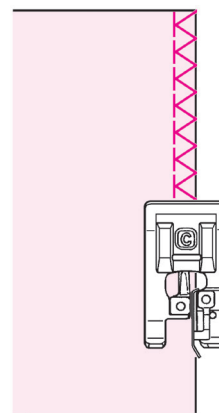
	<b>Pattern No.</b> Practical 06
	<b>Presser foot</b> Overcasting presser foot (C)



- Push the fabric towards the guide and sew. If the fabric and guide are apart, it will not make a nice stitch formation. Make sure to guide the fabric along the guide and sew slowly.
- \* Before sewing, make sure to check that the needle will not hit the presser foot.

## Overcasting stitch 2

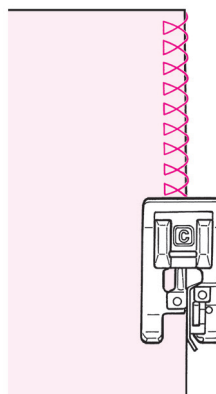
	<b>Pattern No.</b> Practical 14
	<b>Presser foot</b> Overcasting presser foot (C)



- This stitch is used for overcasting medium- to heavy-weight materials. Guide the fabric along the guide and sew.
- \* Before sewing, make sure to check that the needle will not hit the presser foot.

## Overcasting stitch 3

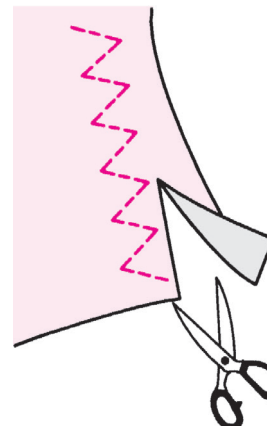
	<b>Pattern No.</b> Practical 15 (Light-weight material)
	<b>Presser foot</b> Overcasting presser foot (C)



- This overcasting stitch is used for overcasting light-weight materials. Guide the fabric along the guide and sew.
- \* Before sewing, make sure to check that the needle will not hit the presser foot.

## Overcasting by 3-point zigzag

	<b>Pattern No.</b> Practical 04
	<b>Presser foot</b> Standard presser foot (A)



\* Do not use overcasting presser foot (C).

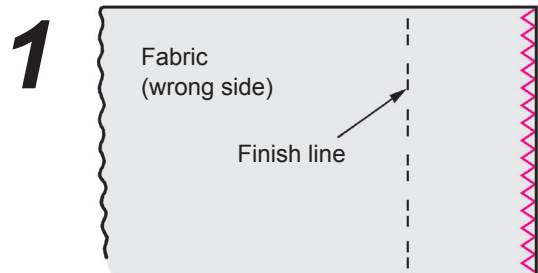
- This stitch is used to prevent the cut edge of fabric from fraying. Keep some seam allowance and cut the sewn fabric carefully so that stitches are not cut by the scissors.

# Blind stitch

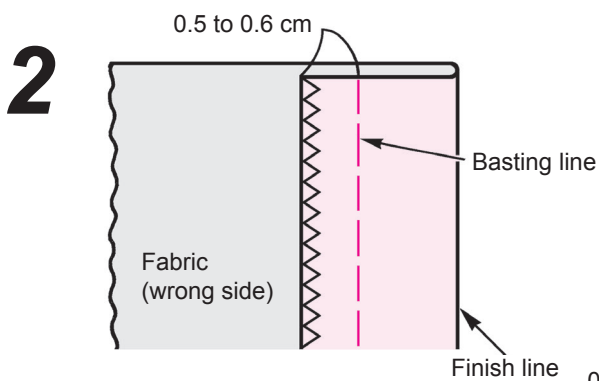
 	Pattern No.	Practical 07, 18 (Light-weight material)
	Presser foot	Blind stitch presser foot (D)

**⚠ Attention** Turn OFF the power switch before replacing the presser foot.

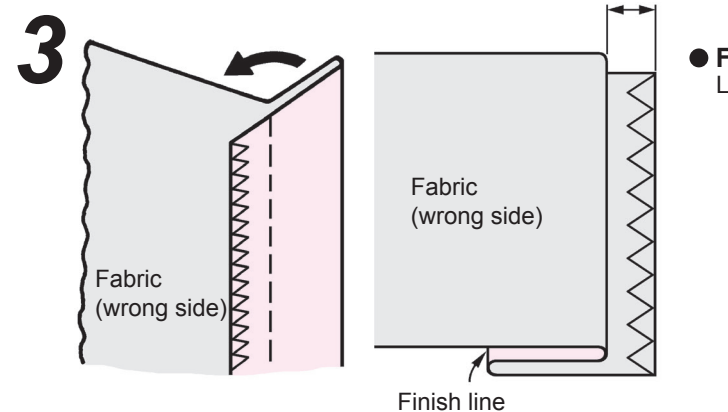
## ■ Folding fabrics



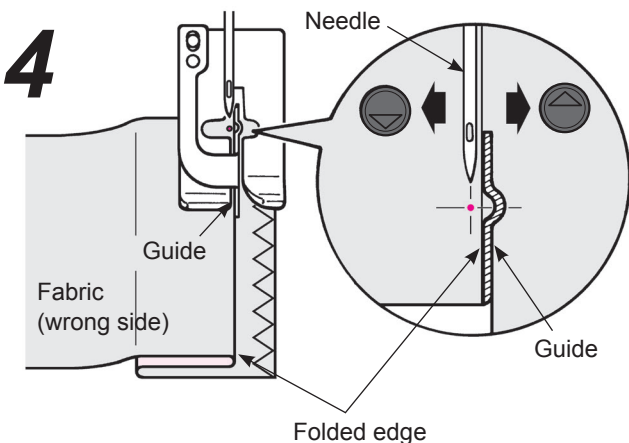
- Sewing overcasting stitches on the edge of fabric.
  - Refer to page 27 for overcasting stitches.



- Basting.

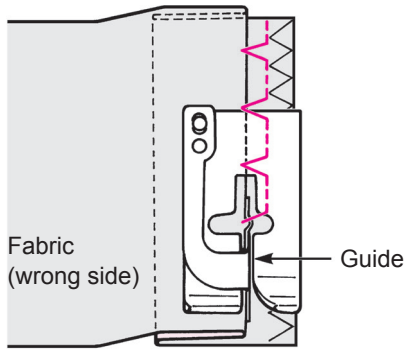


- Fold from basting line.  
Leave 0.5 to 0.6 cm.



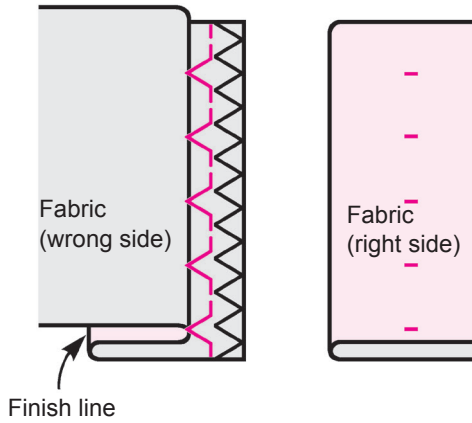
- Align the guide of the presser foot with the folded edge.  
Turn the hand wheel and adjust with the zigzag width adjusting dial so that stitches reach the folded edge.
- \* Pay attention so that needle will not hit the presser foot.

5



● Position the folded edge against the guide and sew.

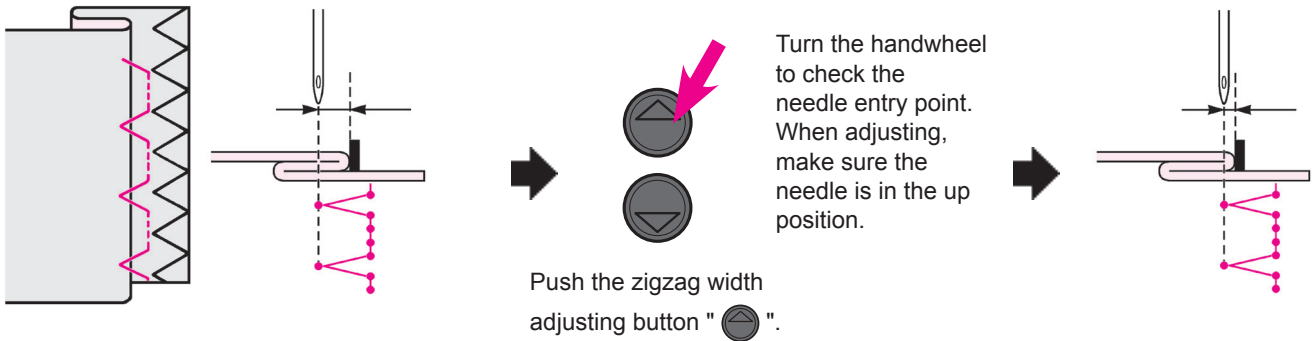
6



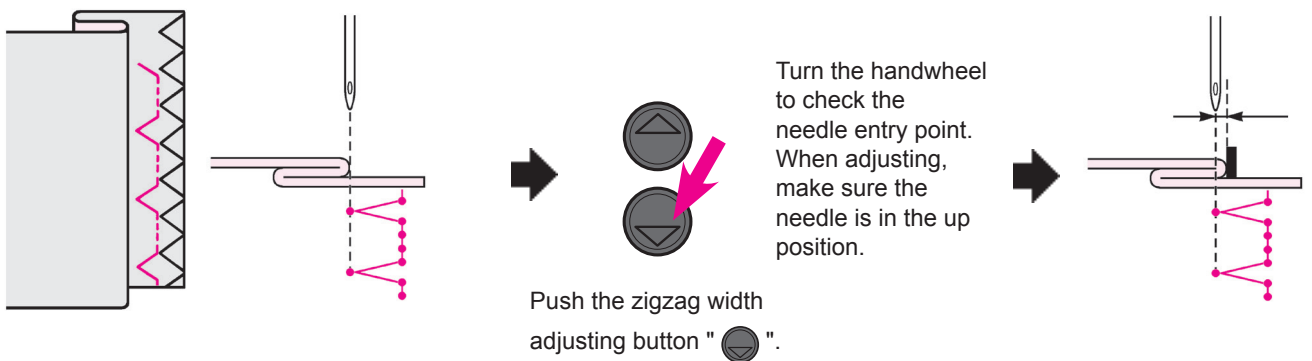
● Turn over the fabric after sewing.

■ When changing the needle entry point


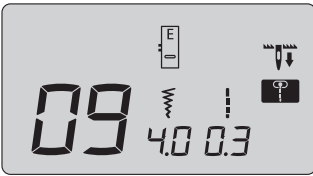
1. If the stitches reach too far beyond the folded edge



2. If the stitches fail to reach the folded edge











# Buttonhole stitches

 	Pattern No.	Practical 09, 23-29
	Presser foot	Buttonhole presser foot (E)

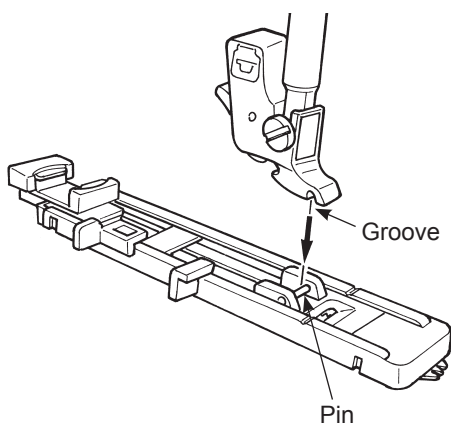
**Attention** Turn OFF the power switch before replacing the presser foot.

- \* The buttonhole length is automatically determined only by placing a button on the buttonhole presser foot.
- \* The machine can sew buttonholes for buttons with diameters of 0.7 - 2.6 cm.
- \* In case of stretchy fabrics, use non-elastic interlining on the wrong side of the fabric.
- \* Make sure to perform test sewing to see that the machine sews buttonholes correctly.
- \* Practical pattern No. 26, 27 are for knit fabrics and should be used with a knit needle.

## Buttonhole type

09		Standard buttonhole	Buttonhole for medium to heavy weight materials Standard buttonhole	26		For knit	Buttonhole for light weight knit (also used as decorative buttonhole)
23		Rounded end	Buttonholes for women's blouses and children's clothes. Also for light weight materials	27			Buttonhole for medium weight knit (also used as decorative buttonhole)
25				Keyhole	Keyhole buttonhole for heavy weight materials such as suits, jackets, coats, etc.	28	
24		29					

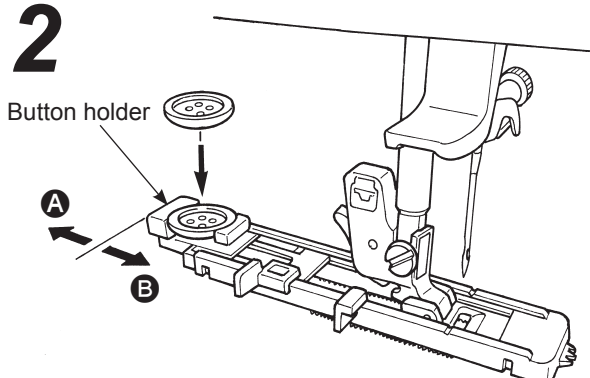
1



● **Set the presser foot.**

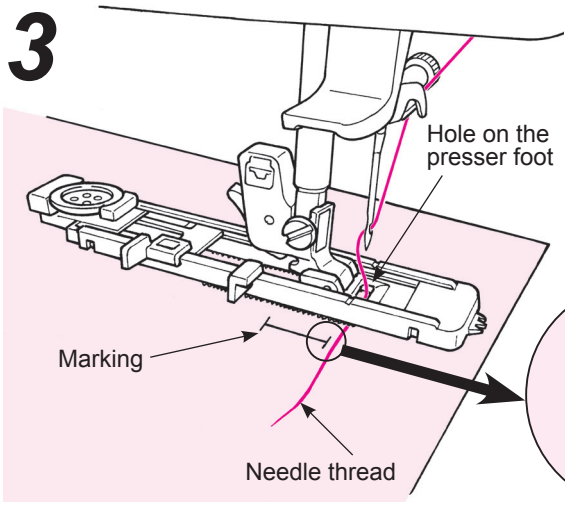
Push the needle up/down button to raise the needle and lift the presser foot.  
Align the groove of the presser foot holder with the pin of the presser foot and lower the presser foot holder to set.

2

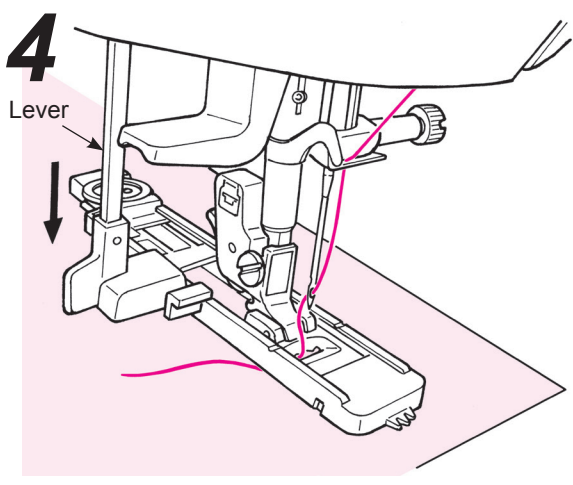
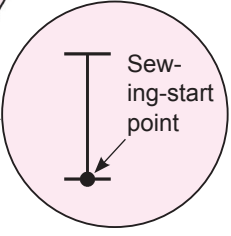


● **Set the button.**

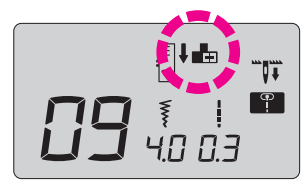
Pull the button holder toward **A**, place the button on the button holder, and then push the holder toward **B** to set the buttonhole length.  
\* It is impossible to set a button thicker than 4mm.



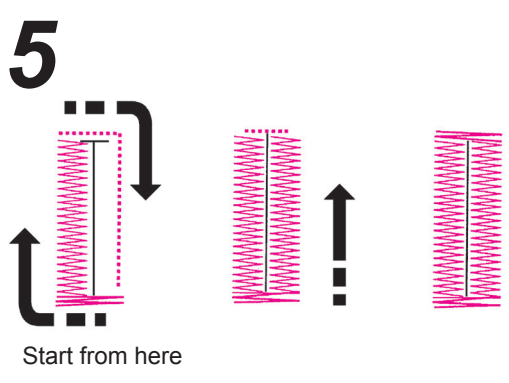
**● Place the fabric under the presser foot.**  
 Raise the presser foot, pass the needle thread through the hole on the presser foot and pull it out sideways.  
 Place the fabric under the presser foot, align the marking with the sewing-start point. Penetrate the needle into the fabric by turning the hand wheel and lower the presser foot.



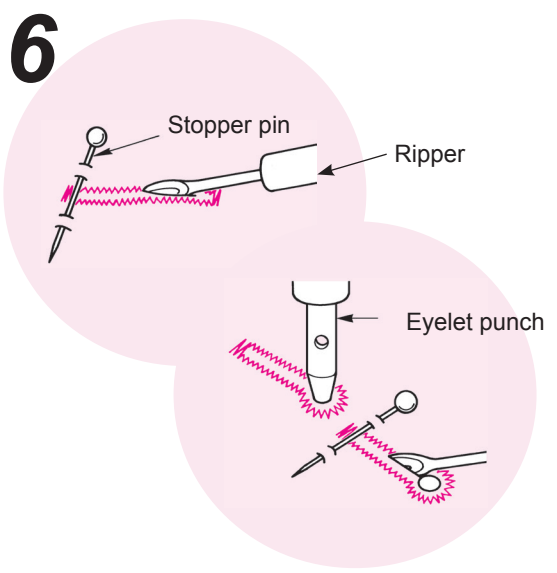
**● Lower the lever until it will go no further.**  
 Lever should be backside of the projection of the presser foot.



\* The icon on the screen will disappear when the lever is correctly set.

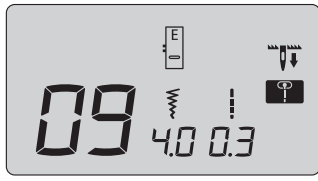


**● Start sewing.**  
 The machine will stop automatically after sewing the buttonhole.  
 \* If a buttonhole of the same size will be sewn again, push the thread trimming button to trim the threads and raise the presser foot.  
 Under this condition move to another point, lower the presser foot and then start sewing.  
 \* Do not change stitch length and/or zigzag width during buttonholing.  
 Otherwise this will cause imbalanced stitches.  
 \* If thread trimming button is pushed while sewing buttonhole, the machine will stop and will not complete the buttonhole. It will start to sew from the beginning.  
 \* Depending on material to be sewn and weaving direction of the material, there might be a slight difference in zigzag widths between right and left lines of buttonholes. Test sewing is recommended.



**● Opening the buttonhole using a ripper.**  
**[double bartack]**  
 Pierce a stopper pin at the bartack and open the buttonhole with a ripper.  
 Be careful not to cut the stitches.  
**[Keyhole buttonhole]**  
 Place a cardboard under the buttonhole and make a hole with the eyelet punch.  
 Then pierce a stopper pin at the bartack and open the buttonhole with a ripper.

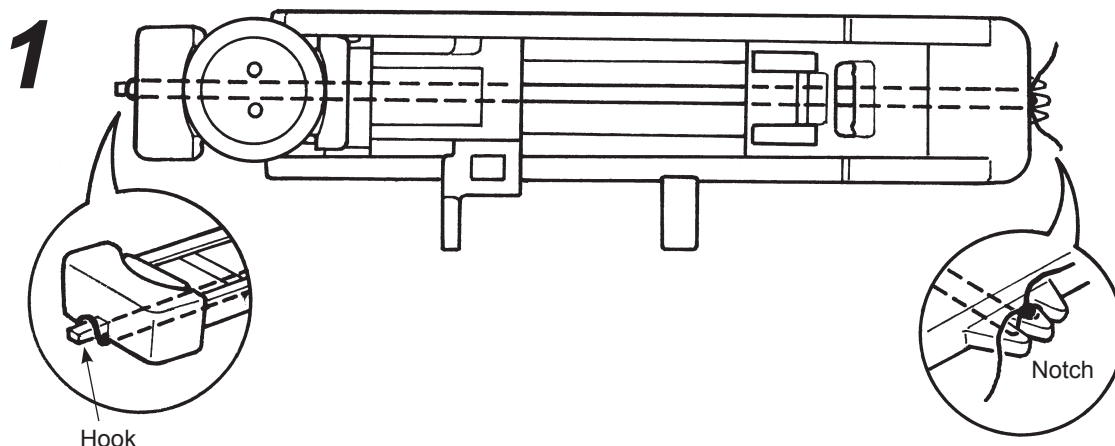
## ■ Buttonhole with gimp

	Pattern No.	Practical 09
	Presser foot	Buttonhole presser foot (E)

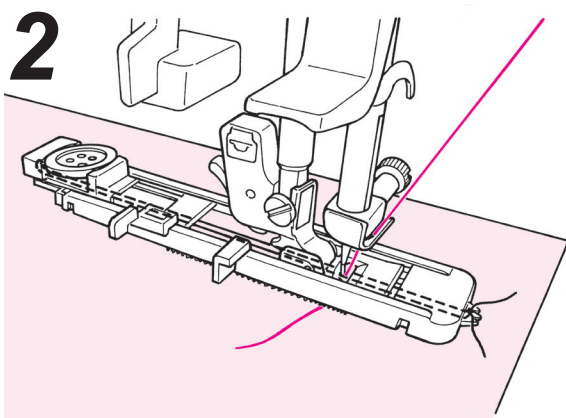
### ⚠ Attention

Turn OFF the power switch before replacing the presser foot.

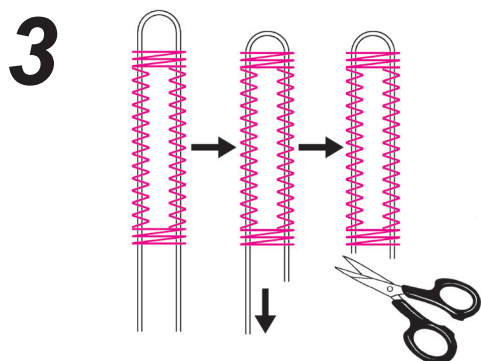
Buttonholes with gimp thread prevent the buttonholes from stretching and can make them more secure. Use thread such as hand-sewn buttonholes and similar for gimp thread.



- Pass the needle thread through under the presser foot and then draw the thread to the side of the presser foot.
- Put one end of gimp thread into the notch at the front right side of buttonhole presser foot, pull the gimp thread under the presser foot and thread it at the hook of the presser foot.
- After threading at the hook, pull the gimp thread back under the presser foot and put it into the notch at the front left side of the presser foot firmly.



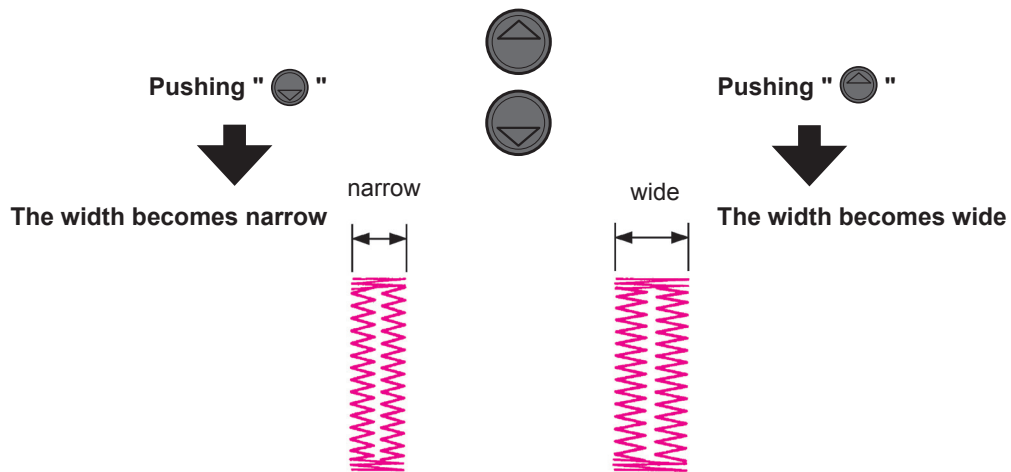
- Bring down the needle to the sewing start point and lower the presser foot.
- Sew the buttonhole.



- Pull the left gimp thread to take off slack and cut excess gimp thread.

### ■ When changing the width of the buttonhole

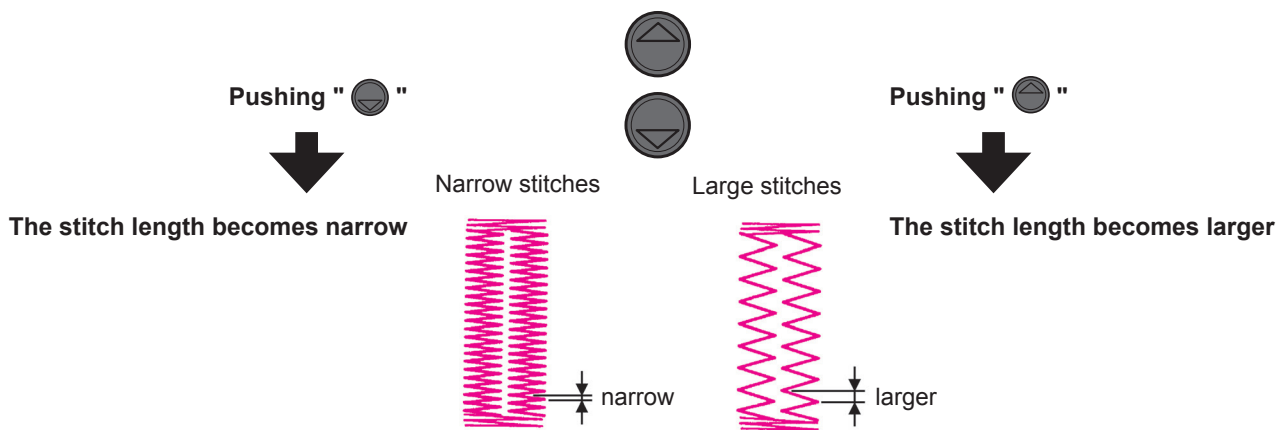
Push the zigzag width adjusting button.



\* The setting of the buttonhole width and stitch length will be cancelled when the power is shut down or another pattern is selected.



### ■ When changing the density of the seam

Push the stitch length adjusting button.





# Bartacking

 	<b>Pattern No.</b> Practical 20
	<b>Presser foot</b> Manual buttonhole presser foot (I)

**Attention** Turn OFF the power switch before replacing the presser foot.

Bartacking is used to reinforce the part of the seam that is likely to ravel.

\* The length of the bartack is determined by pushing the reverse stitch button, but it will automatically make a u-turn when it reaches the maximum of 20 stitches.

\* If the presser foot cannot be parallel to throat plate, use filler fabric or cardboard.

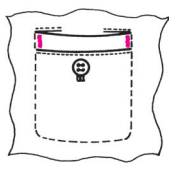
## Example of use



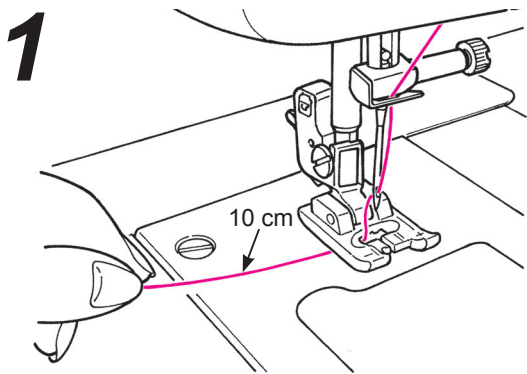
Trousers and skirt



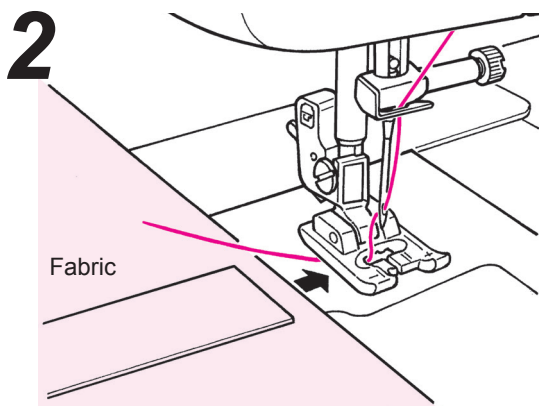
Bag



Pocket

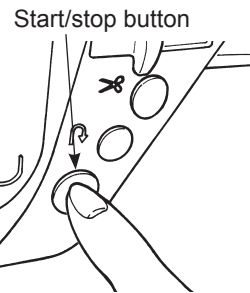
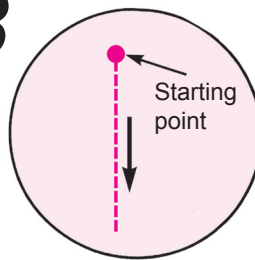


● Pass the needle thread through the presser foot.



● Place the fabric under the presser foot.

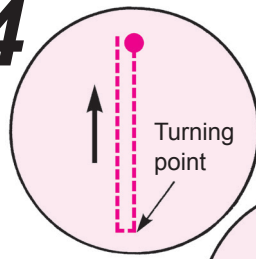
3



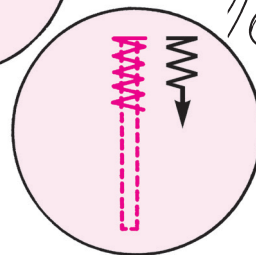
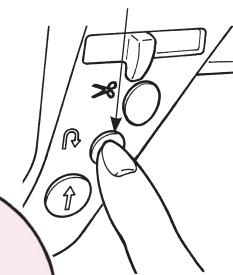
● Start sewing.

Push the start/stop button and the machine starts to sew straight stitches.

4



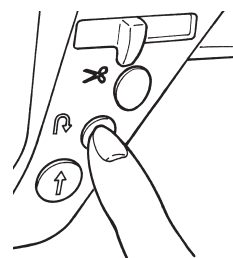
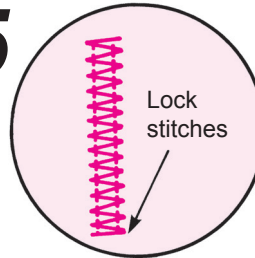
Reverse stitch button



● When it comes to the turning point push the reverse stitch button.

The machine goes back to the starting point by sewing straight stitches and then it sews zigzag stitches to the point where the reverse stitch button is pushed.

5

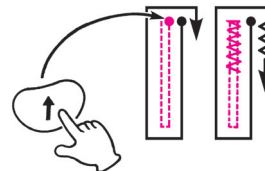


● When the machine comes to the sewing end point, push the reverse stitch button.

The machine sews lock stitches and stops.

To sew a bartack of the same length again... when the length of the first bartack has been memorized,

● When the start/stop button is pushed, the machine starts to sew and makes a u-turn automatically at the same point as the first bartack.




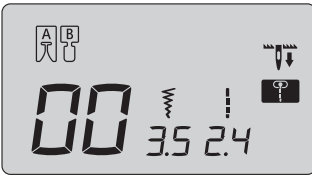
\* If you want to change the memorized length of the bar tack, please select stitch pattern again.

● When it comes to the sewing end point, push the reverse stitch button.





# Inserting zippers

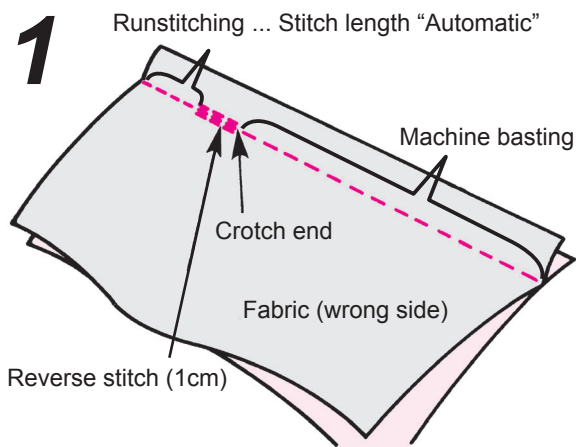
 	Pattern No.	Practical 00
	Presser foot	Zipper presser foot (B)

**Attention** Turn OFF the power switch before replacing the presser foot.

Zippers are set in two different ways: by inserting into the side seam of the garment and by centering in position.

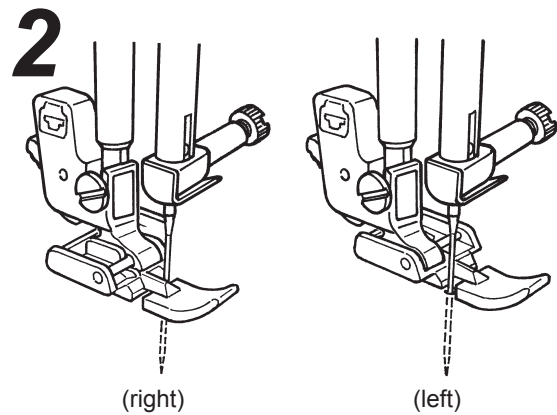
\* **Make sure to use center needle position (Stitch pattern No. Practical 00).**

## Preparation before attaching zipper



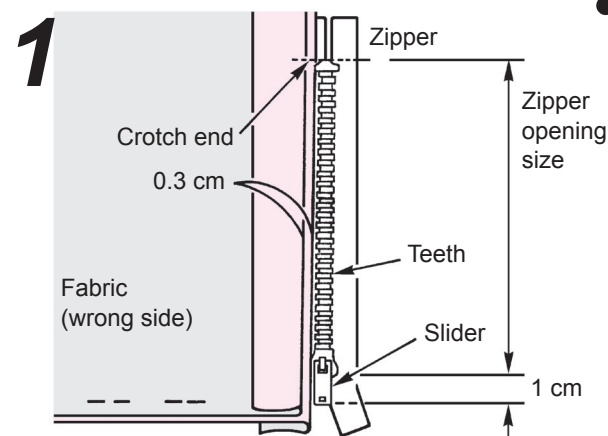
- **Use the standard presser foot (A) to sew.**  
 Place the fabrics face-to-face. Check the runstitching length and the length of the zipper to be inserted. Machine baste the zipper onto the fabrics.

**Machine basting = zipper opening length + 1 cm**



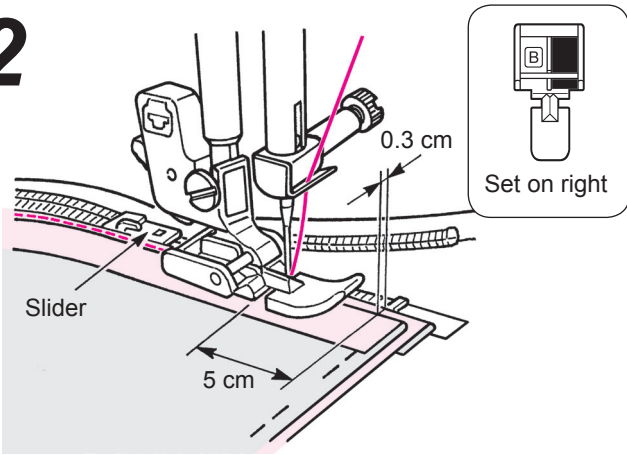
- **Attach the zipper presser foot (B) to the machine.**  
 When sewing the left side of the zipper, place the zipper under the right portion of the zipper presser foot. When sewing the right side of the zipper, place the zipper under the left portion of the foot.

## Lapped insertion



- **Open the seam allowance.**  
 Neatly open the seam allowance. Adjust the back seam allowance so that it projects 3 mm from the seam. Press with an iron to make a crease. Fit the crease along the edge of the teeth.

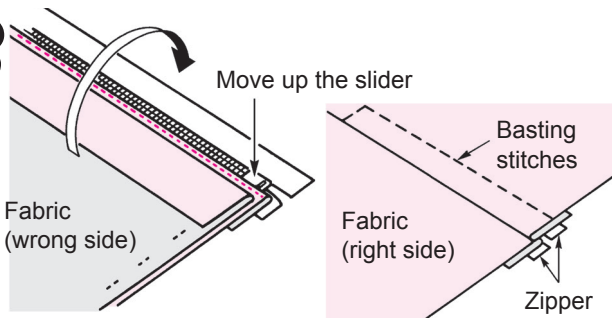
2



● Sew the zipper tape on the seam allowance from bottom to top.

Fitting the edge of the zipper presser foot along the edge of the zipper teeth, sew the zipper tape on the seam allowance. At the slider part of the zipper, stop the machine at 5 cm (2 inches) before the slider. Move the slider to the far side of the presser foot and sew the zipper until its top end is reached.

3

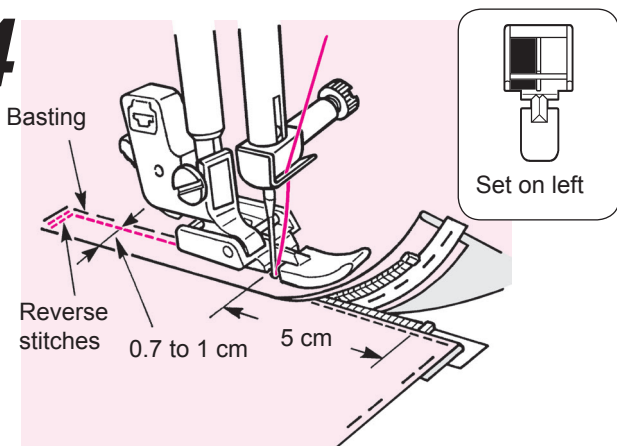


● Put the fabric over the zipper.

**Baste the zipper and set it on the fabric.**

\* Baste the zipper tape with the fabric with hand basting stitches. Move the slider to the top of the zipper. Put the fabric over the zipper and perform basting.

4

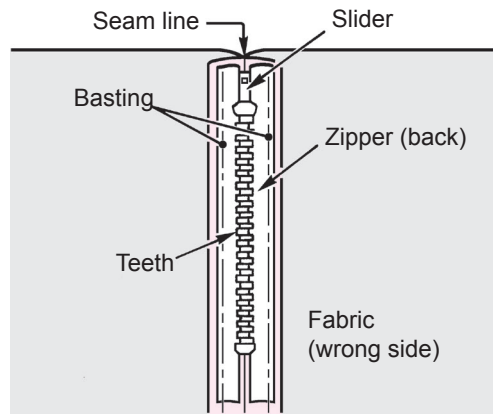


● Sew reverse stitches and sew the right-hand side.

After sewing reverse stitches, set the left hand side of the zipper presser foot to the zipper teeth. Sew until 5 cm (2 inches) of the zipper end. Undo the basting stitches and move the slider to the far end of the presser foot. Then sew the rest of the way.

■ Centered insertion

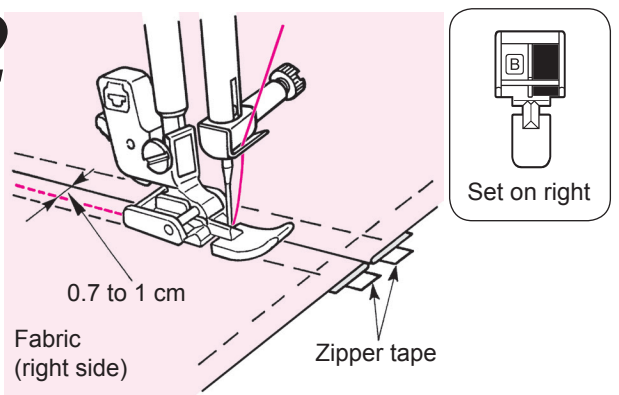
1



● Baste zipper and garment body.

Open the seam allowance. Fit the teeth of the zipper at the end of the seam line and perform basting by hand. Pull the slider tab to the up side.

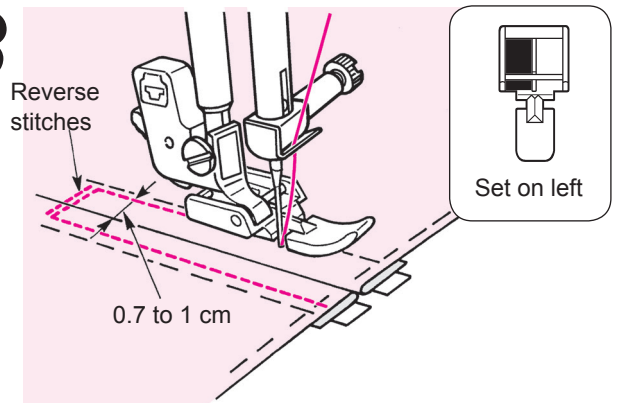
2



● Sew the left part of the zipper on the seam allowance from the bottom of the opening to the top.

Sew 0.7 to 1 cm from the seam line.

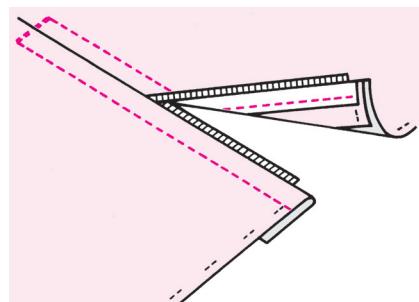
3



● Sew the right part of the zipper.




Sew reverse stitches a few times. Sew the other side 0.7 to 1 cm from the seam line.

4



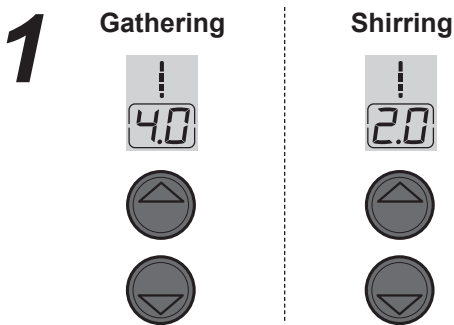
● Undo only the basting stitches.

# Shirring and gathering

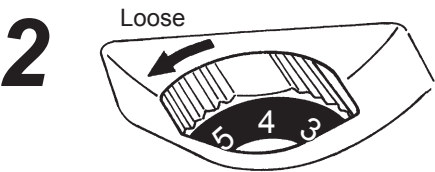
  	Pattern No.	Practical 00
	Presser foot	Standard presser foot (A)

**Attention** Turn OFF the power switch before replacing the presser foot.

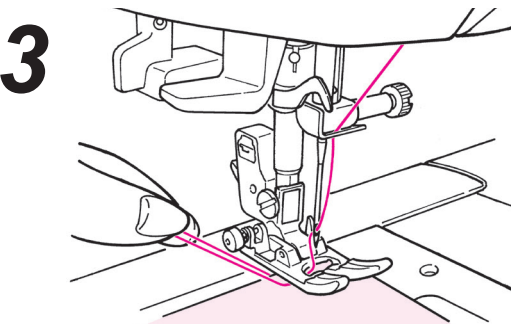
- ★ Shirring: such as the shoulder line and waist of the skirt, on which shirring is not seen.
- ★ Gathering: such as shoulder joining and the frills of a skirt.



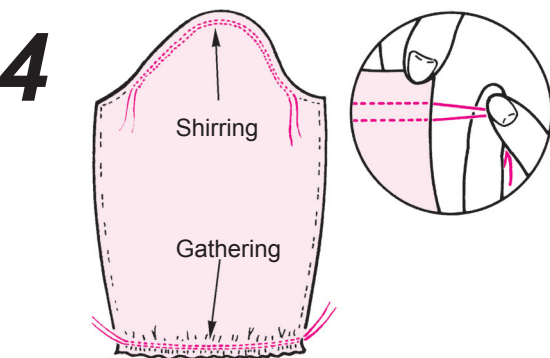
- Change the stitch length.  
Set 3.0 - 4.0 for gathering and 1.5 - 2.0 for shirring.



- Loosen the needle thread tension.






- Start sewing.  
Leave about 5 cm of needle and bobbin threads both at the sewing start and at the sewing end and sew a parallel line.



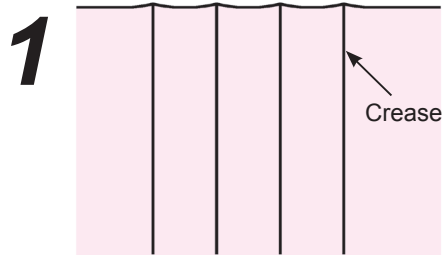
- Pull the lower thread by hand to shrink the fabrics.

# Pintucking

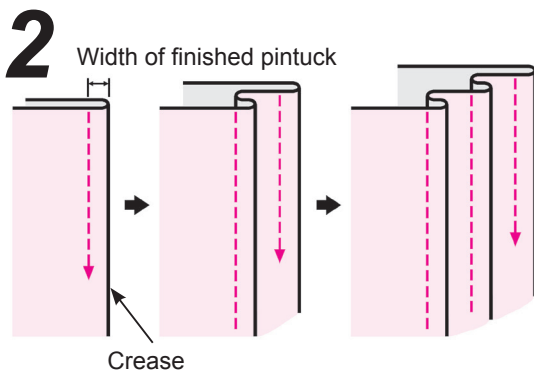
  	Pattern No.	Practical 00
	Presser foot	Standard presser foot (A)

**Attention** Turn OFF the power switch before replacing the presser foot.

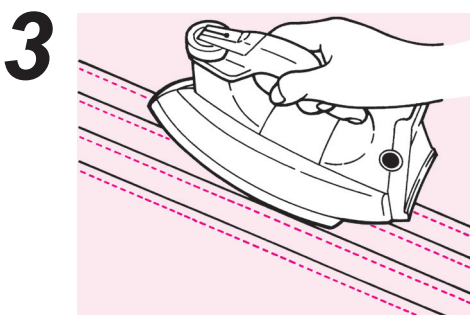
This stitch is used to sew decorations on the front of blouses and/or aprons, etc.



- Iron the creases of the pintuck.



- Sew the creases one by one and avoid it stretching.



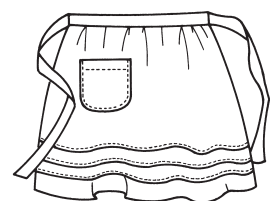
- After sewing, turn over pintucks and iron them.

- Example of use


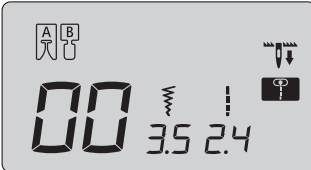
- Blouse



- Apron

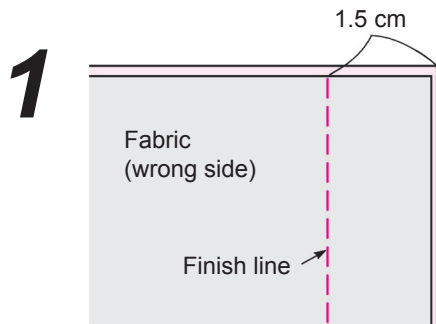


## Welt seam

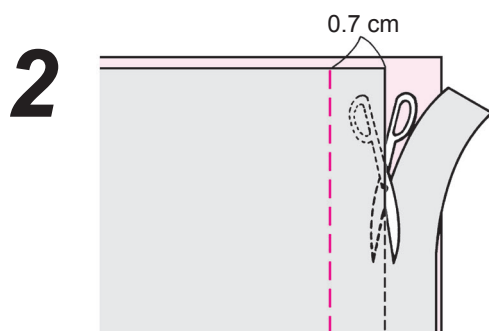
 	Pattern No.	Practical 00
	Presser foot	Standard presser foot (A)

**Attention** Turn OFF the power switch before replacing the presser foot.

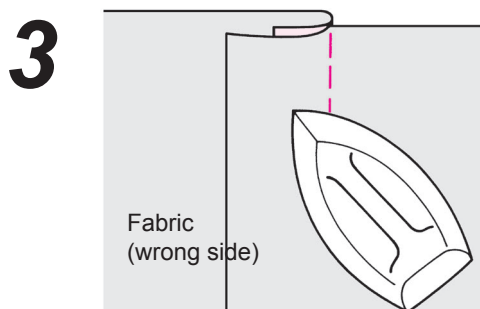
This stitch is used for securing an edge.



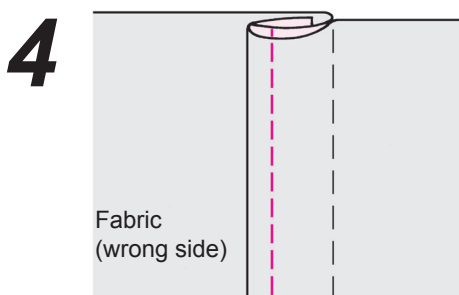
● Put the fabrics together and sew.



● Cut half of the seam allowance.


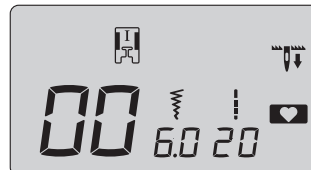


● Open the fabrics from the finish line and fold the seam allowance together and iron.




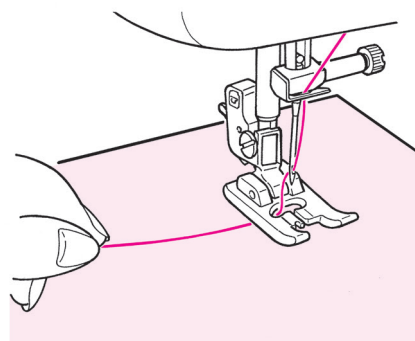
● Wrap up the shorter seam allowance with the longer one and sew the edge of the crease.

## Decorative stitches and one point pattern

 	Pattern No.	One point 00~39
	Presser foot	Manual buttonhole presser foot (I)

**Attention** Turn OFF the power switch before replacing the presser foot.

- After selecting a pattern, push memory button MEM  so that one point pattern can be sewn. If memory button will not be pushed, machine sews the pattern continuously.

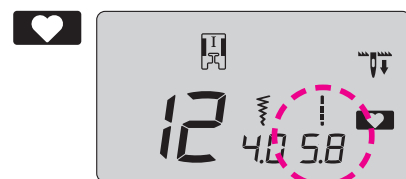


- Place the fabric under the presser foot and start.

### ■ Display of the length of one cycle

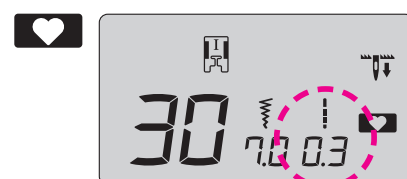
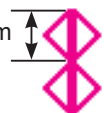
Although the length of one cycle of the decorative pattern is displayed, treat it only as a reference, as this will be changeable based on fabric and thread.

Example)



The length of one cycle is displayed.

5.8 mm





Stitch length of the pattern is displayed.

0.3 mm

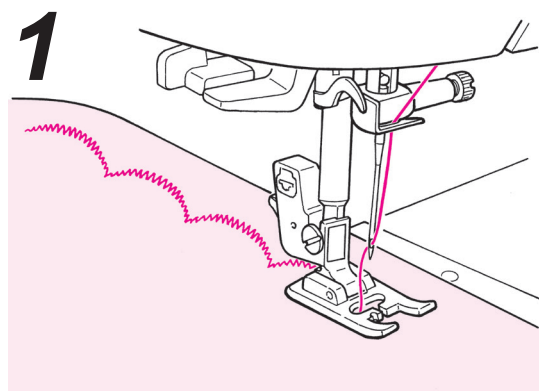


## Scallop stitches

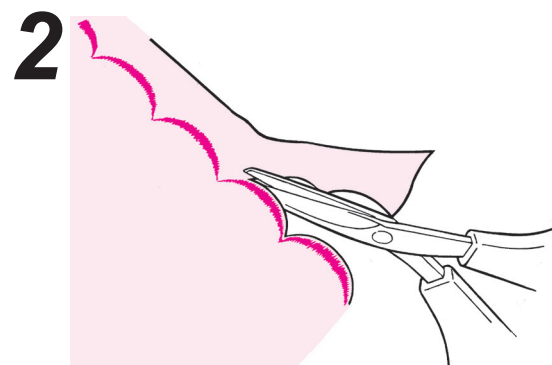
 	Pattern No.	One point 30
	Presser foot	Manual buttonhole presser foot (I)

 <b>Attention</b>	Turn OFF the power switch before replacing the presser foot.
--	--

This stitch is used for decorating edging on items such as table cloths, collars on blouse, etc.





- To keep the pattern intact, leave some margin and sew on the edge of the cloth.



- Cut the sewn fabric carefully so that stitches are not cut by the scissors.

\* Adjust stitch length of the decorative stitches according to the fabric to be sewn.  
Sewing on fabric too thick may cause jamming.



## Quilt

 	Pattern No.	Practical 30~39
	Presser foot	Manual buttonhole presser foot (I)

 <b>Attention</b>	Turn OFF the power switch before replacing the presser foot.
--	--

Using a decorative stitch, this gives a decorative look to the joining of patchworks. It is recommended to use decorative thread such as embroidery thread.

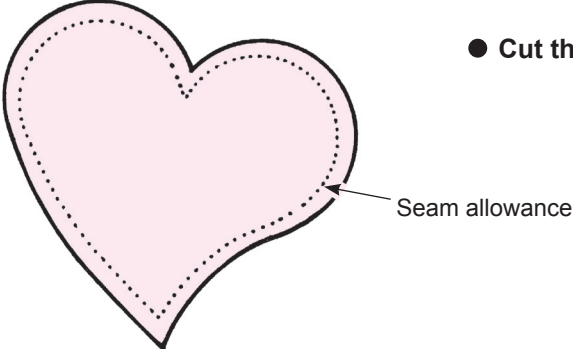
# Applique

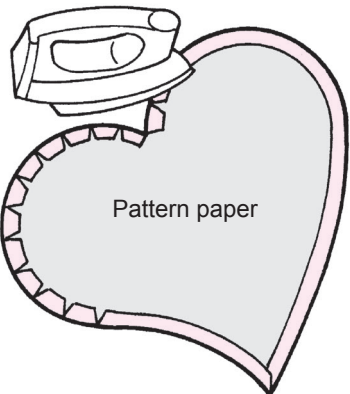
 	Pattern No.	Practical 05
	Presser foot	Manual buttonhole presser foot (I)

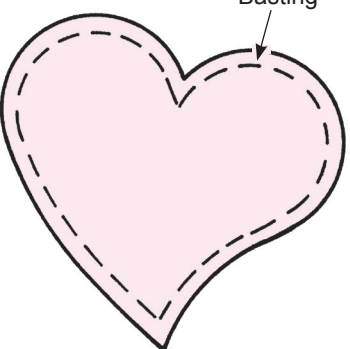
 <b>Attention</b>	<b>Turn OFF the power switch before replacing the presser foot.</b>
--	---

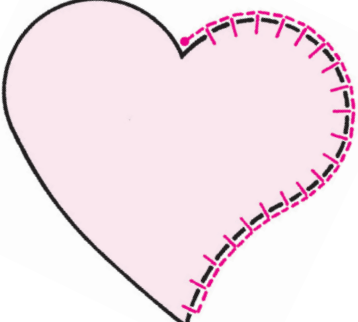
To make the stitch un conspicuous, an applique can be sewn.

- 1**


  - Cut the applique fabric with seam allowance of 3 to 5mm.
  
- 2**

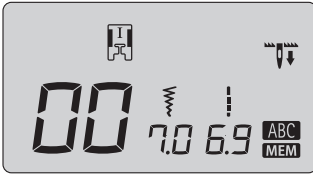

  - Put the pattern paper onto the wrong side of the fabric and fold the seam allowance at the finish line.
  - Put the applique fabric on the base fabric. Temporarily fix it with basting stitches or glue.
  
- 3**


  - Turn the hand wheel towards you and start sewing along with the outer side of the applique fabric.  
When you start sewing, the machine will automatically sew 3 lock stitches.  
\* When sewing steep angles, keep the needle inside the fabric, raise the presser foot, change sewing direction and sew slowly.
  
- 4**


  - Lock stitch at the end of sewing.  
Push the reverse stitch button and the machine will automatically sew 3 lock stitches. It is better to lock stitch at the outer side of the applique fabric.  
\* Usually center needle position is used for appliqué stitches but right or left needle position can be used.  
Changing needle position: Refer to page 24



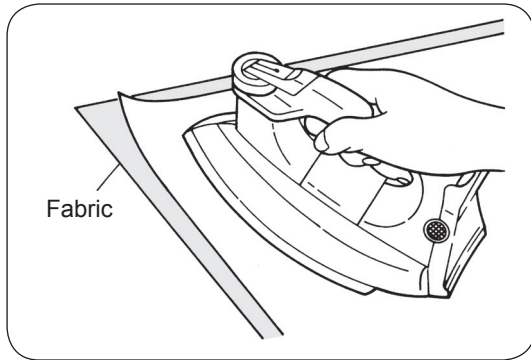
# Sewing letters and one point pattern

	<b>Pattern No.</b>	One point 00~39 Letters 00~99
	<b>Presser foot</b>	Manual buttonhole presser foot (I)

**Attention** Turn OFF the power switch before replacing the presser foot.

## Preparation before sewing

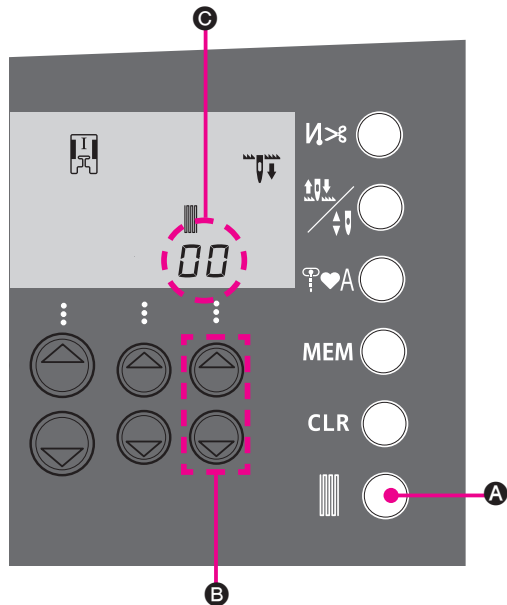
(in order to sew a pattern neatly, apply interlining and conduct a test sewing first.)





Use an iron to attach a fusible interlining to the wrong side of fabric.

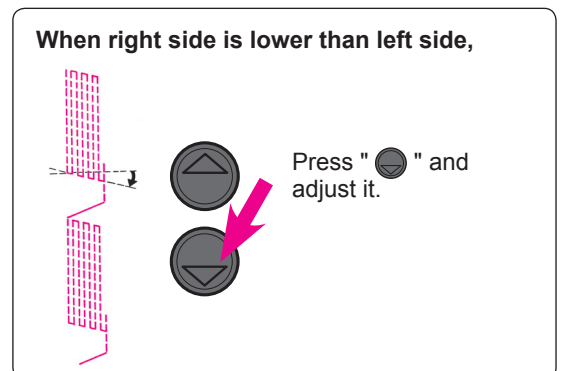
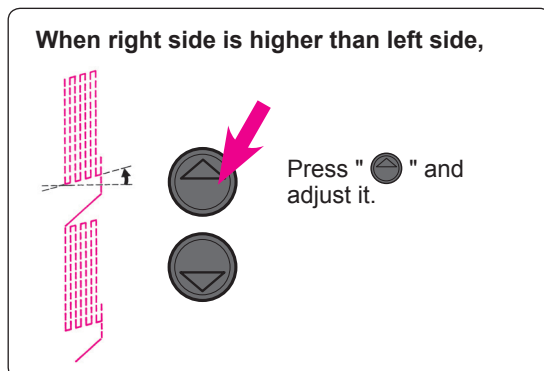
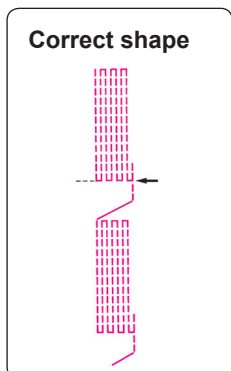
\* When stitch length becomes too small, the bobbin thread will come out to the front side of fabric and/or stitches might get stuck. Therefore make sure to conduct a test sewing beforehand.

## Test sewing



Since the pattern might be deformed according to the type and thickness of fabric and fusible interlining to be used, make sure to conduct test sewing on the same fabric and interlining.

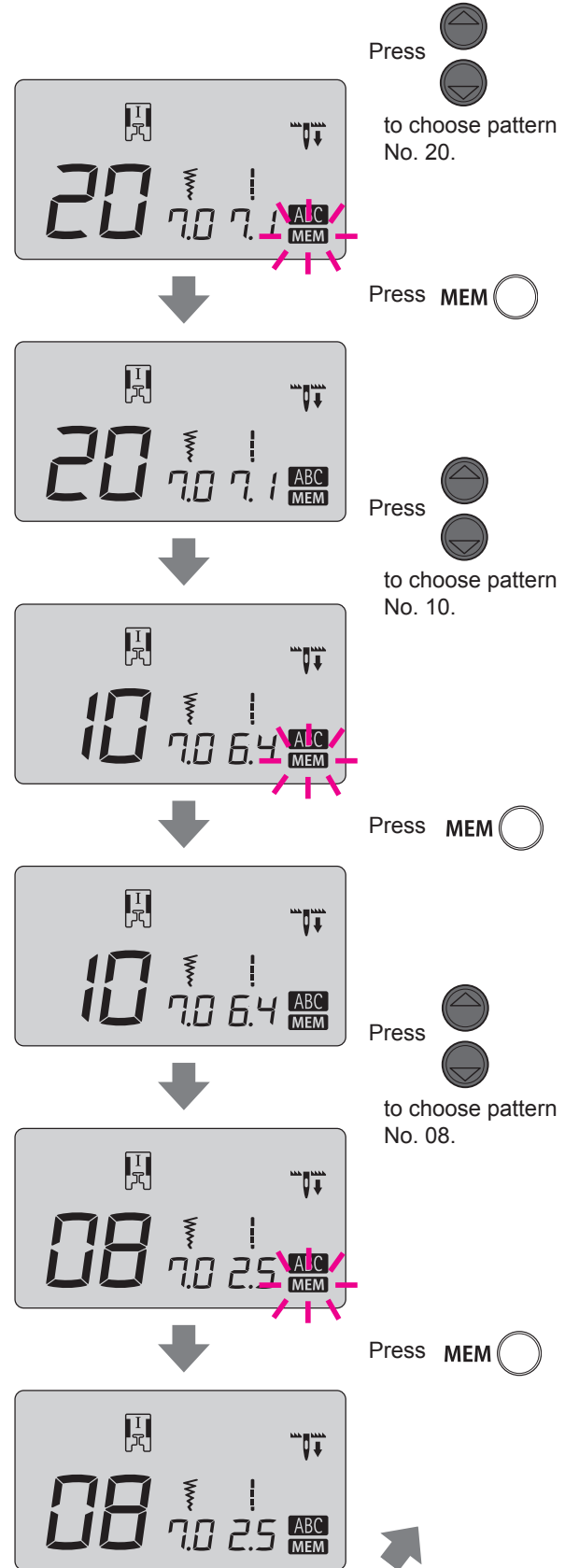
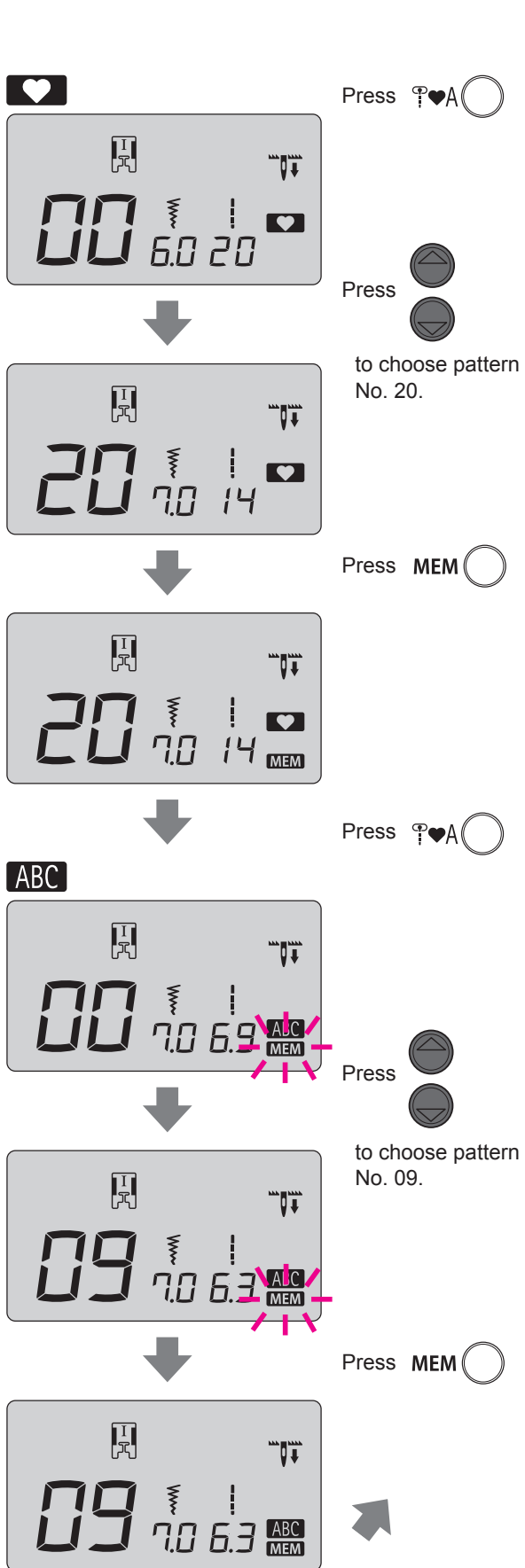
1. Press  button **A**.
2. Set a piece of fabric and a thread to be used for test sewing.
3. Check the sewn result. If it is not right, change the figure **C** by stitch length adjusting button **B**. Figures "-30" to "+30" can be selected.
4. When  button **A** is pressed again, screen goes back to normal.

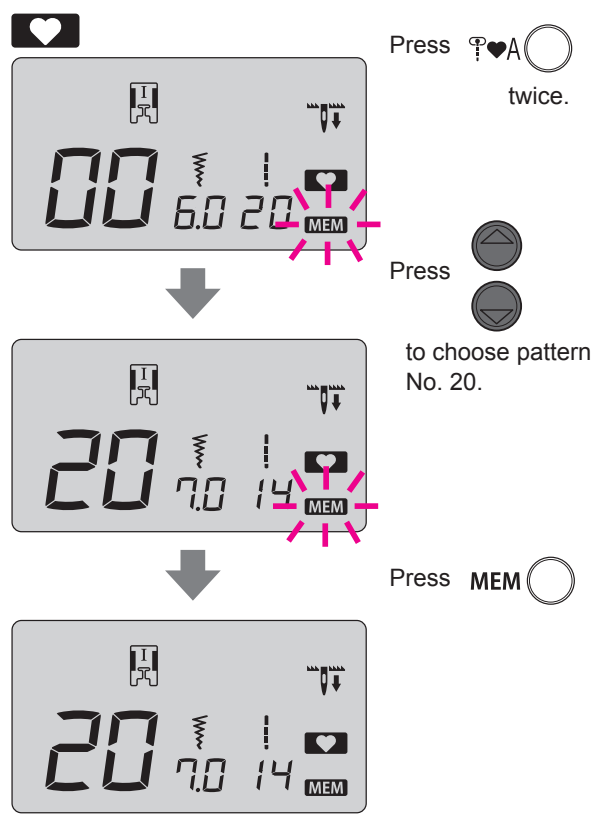




# How to select pattern (letters)

## Example





**When you want to change the size of pattern (letters) .....**

**Move the cursor to the desired pattern (letter). You can change the height and width by:**

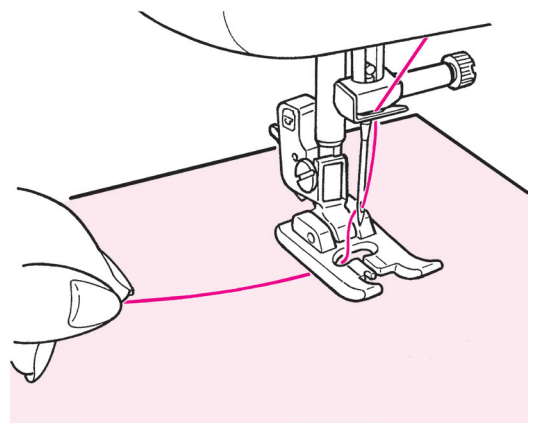
**Height:** Zigzag width adjusting button  
**Width:** Stitch length adjusting button

**MEM** [MEM] Up to 70 Letters and one point patterns can be stored into memory.

● **Deleting Letters and patterns in the memory**

**CLR** [CLR] Pressing it will delete patterns in the memory from latest one to earliest one. When the button is pressed continuously, all the patterns in the memory can be deleted.

■ **How to stitch a pattern (letters)**

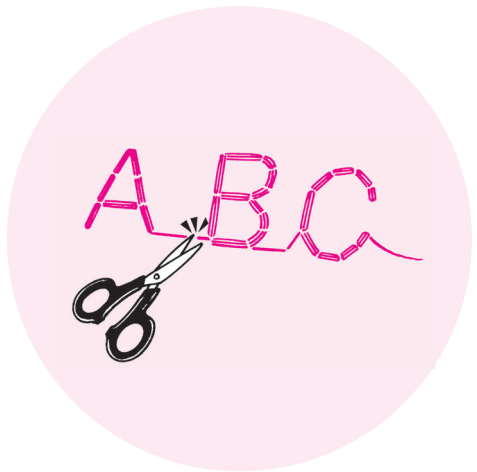


**Place the fabric underneath the presser foot and start.**  
 The machine will stop automatically when sewing is finished.

**Notes:**

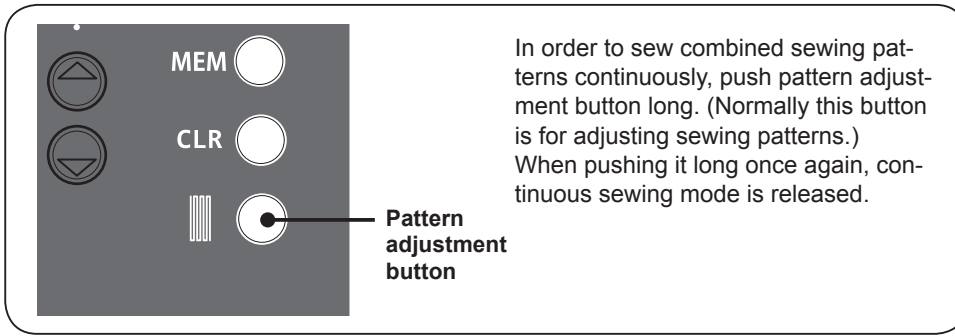
1. Note that the sewing speed varies according to stitch patterns (letters) to be sewn.
2. If the automatic thread trimmer is used while sewing, the machine starts to sew from the beginning.
3. In case of condensed sewing, if the stitch length is too small, the stitches may get stuck.

■ **Disposing thread ends of jump stitches**



**Get rid of unnecessary thread on the front side of fabric by scissors.**

## ■ How to sew combined sewing patterns continuously

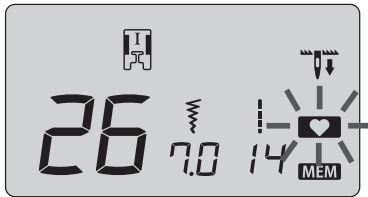



Example: in case of sewing



5 times continuously

1



After memorizing the patterns, push pattern adjustment button long. Then  is now blinking.

2

Start Sewing.

3



During the sewing the combined patterns at 5<sup>th</sup> time, push pattern adjustment button long. The sewing machine will stop after sewing the last pattern of the 5<sup>th</sup> time.

\* If you start sewing without setting continuous sewing, you can sew the patterns continuously by pushing pattern adjustment button long during sewing. In this case, by pushing pattern adjustment button long once again, the machine will stop after sewing the last sewing pattern.

## Introduction of optional accessory parts

Make your home sewing more pleasant!

Please purchase the following items in the shop where you buy our products.

- **Rolled hemming presser foot**

Fabric edge is hemmed while rolling it under.  
Used for bottom of shirts, blouses, frills and the edge of handkerchiefs.

- **Quilt presser foot (transparent type)**

It is used for free-motion quilting. Zigzag stitch is also possible with this presser foot.

- **Button attaching presser foot**

This presser foot is used to attach buttons on garments.

- **Cording and Embroidery presser foot**

It is used in free motion quilting and a cord can be sewn together with this presser foot.

- **Pearl attaching presser foot**

With this presser foot it is possible to attach pearls, beads and thick cord.

- **Smooth presser foot**

This presser foot is used for non-slippery materials like vinyl and satin stitches.

- **Presser foot with guide**

As the presser foot has markings, which show 2 mm distance, these marking will serve as a guide.

- **Eyelet punch**

This is to open hole at round area of keyhole buttonhole.

- **Throat plate for straight stitch**

Use with patchwork presser foot for better stitch quality.

- **Wide Table**

For sewing large projects such as quilts, etc.

- **Binder presser foot**

It is possible to attach tapes such as bias tape into four folds.

- **Open toe presser foot**

This presser foot is used for appliqué and decorative stitches. (Front part of the presser foot is open for better visibility.)

- **Hemming presser foot for zigzag**

Fabric edge is hemmed by zigzag while rolling it under. Used for bottom of shirts, blouses, frills and the edge of handkerchiefs.

- **Edge sewing presser foot**

This presser foot is used for patchwork, sewing center line of joined materials by using the center guide of the presser foot.

- **Quilt presser foot (open type)**

It is used in free motion sewing. As the front portion is open, it is easy to see the needle entry point.

- **Walking foot**

This presser foot is used for "difficult-to-feed" materials such knit, jersies, vinyl, artificial leather and leather or quilting.

- **Appliqué presser foot**

Since the front and back of the presser foot is short, it is easy to move the materials at curve points. Also fabrics can be seen easily because it is transparent.

- **Quilt presser foot**

This presser foot is used for quilt stitches (free motion quilting).

- **Cording presser foot (for 3 cords)**

It is possible to attach 1 - 3 cords by three-point zigzag or decorative stitch.

- **Patchwork presser foot**

This presser foot is used for patchwork stitches.

- **Invisible zipper foot**

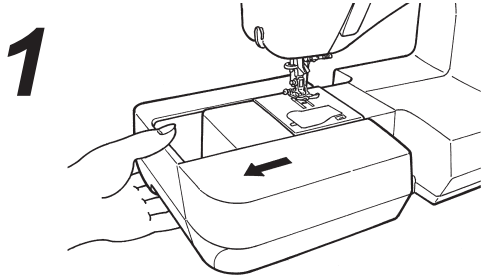
As a seam does not appear on the right side of the fabric, an opening can be finished with fabric edges neatly butted.

- **Quilt guide**

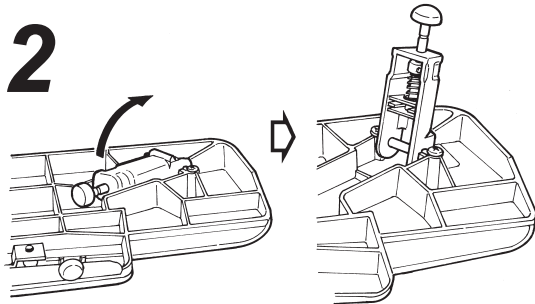
This is a guide to sew lines in the same distance.

Optional accessory part

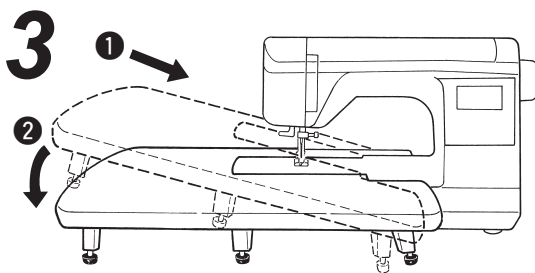
## How to install Wide Table



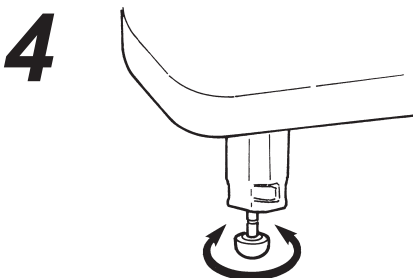
- Remove auxiliary bed.



- Open legs of Wide Table until they stop securely at the stopping position.



- Assemble Wide Table to sewing machine body. Attach it to free arm of sewing machine.



- Adjust the height of legs so that the top surface of Wide Table is the same height of sewing machine body.

**Attention**

- \* Don't put any heavy materials on the Wide Table.
- \* Don't move sewing machine with Wide Table attached.

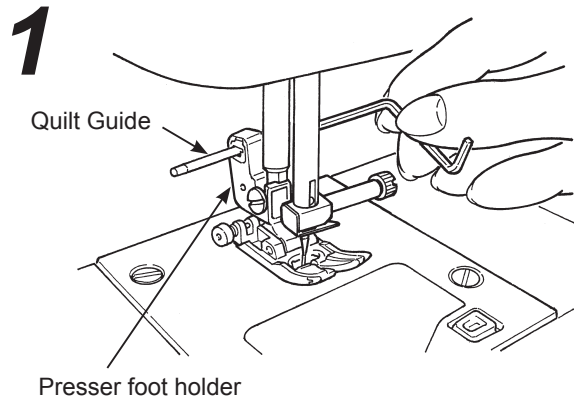
Optional accessory part

## How to use the quilt guide

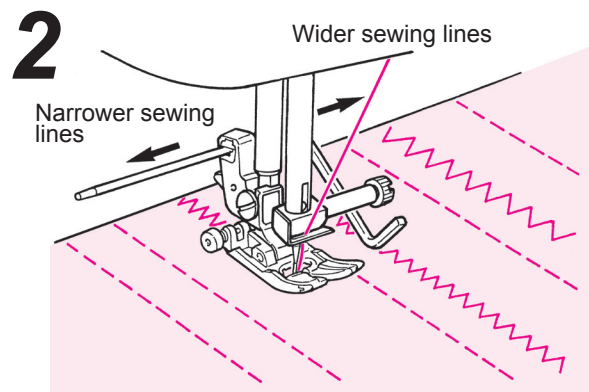
	Pattern No.	Practical 00, 03
	Presser foot	Standard presser foot (A)

**Attention**

Turn OFF the power switch before replacing the presser foot.



- Insert the quilt guide into the groove of the presser foot holder.



- Sew while tracing the stitches with the tip of the quilt guide. Distance between sewing lines can be adjusted freely.

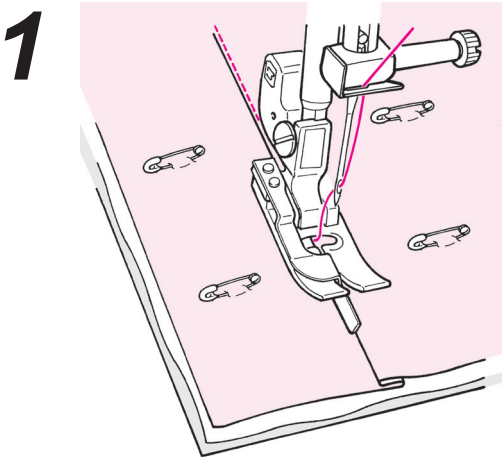
Optional accessory part

## Stitch in ditch quilting

	Pattern No.	Practical 00
	Presser foot	Edge sewing presser foot (R)

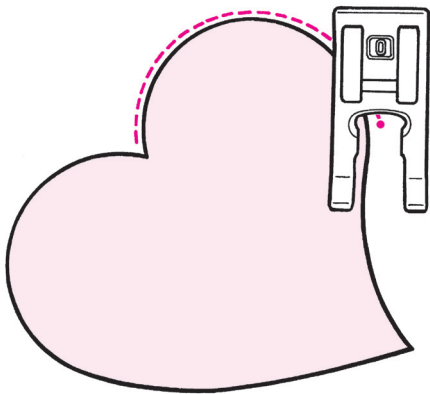
**Attention** Turn OFF the power switch before replacing the presser foot.

This is for quilting the edge of patchworks and appliqués. The machine will sew the lower (thinner) side of the fabric layers. As a result, the stitches will not be noticeable and have an effect to make the design look three dimensional or emphasized.



- Put the top layer of fabric with patchwork and/or appliqués, quilting cotton and bottom layer of fabric together by pin or basting stitches.

- 2** ● Put the guide of the presser foot along with the crease and sew.
- The needle enters behind the guide, so that the edge of the crease can be sewn.
- \* If the desired points can not be sewn, adjust the needle position.
- Needle position change: refer to page 24



- ★ **Curved concealed quilting**
- Use manual buttonhole presser foot (I) or the open toe presser foot (O). Sew curves by lifting the presser foot and changing the direction very often. Also this can be done by free motion with the quilt presser foot. (Refer to page 48.)

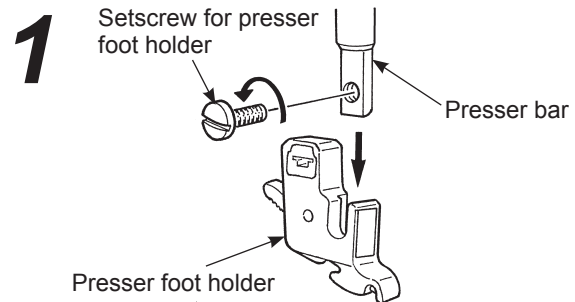
Optional accessory part

## Quilting (straight stitch)

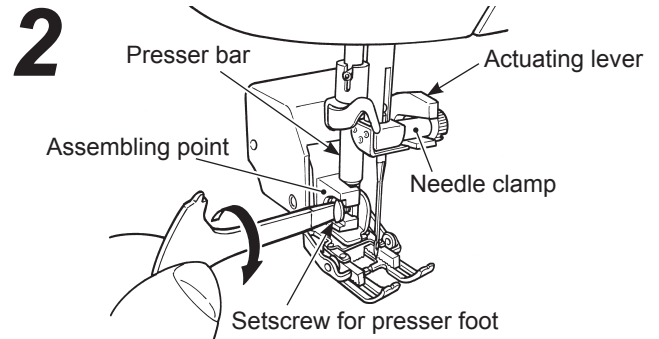
	Pattern No.	Practical 00
	Presser foot	Walking foot (N)

**Attention** Turn OFF the power switch before replacing the presser foot.

Quilting is the process of sewing the top layer of fabric, with quilting cotton in between and a bottom layer of fabric underneath. By using the walking foot, the machine feeds both top and bottom fabrics together at the same time, so fabric shifting is eliminated.

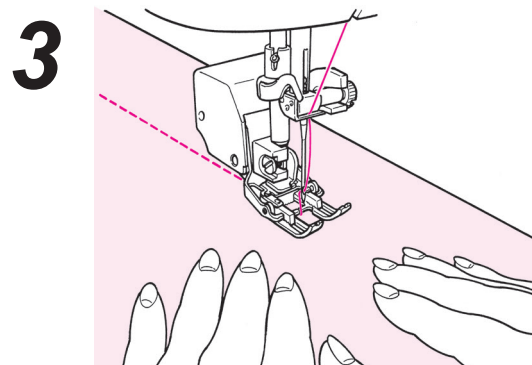


- Put top layer of fabric with patchwork and/or appliqué, quilting cotton and bottom fabric together by using pin or basting stitches.



- **Assemble the walking foot.**



Raise the presser bar. Loosen the setscrew for presser foot holder and remove the presser foot holder. (Refer to page 12) Set the actuating lever on the needle clamp and insert the assembling point to the presser bar and tighten the setscrew for presser foot.

- Place your hands to both sides of the presser foot and sew by pulling the fabrics apart.

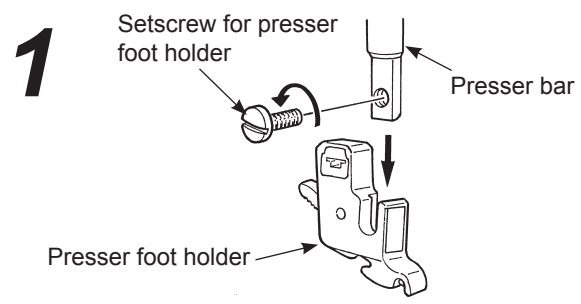
\* Sew with slow to medium sewing speed.

Optional accessory part  
**Quilting (free motion)**

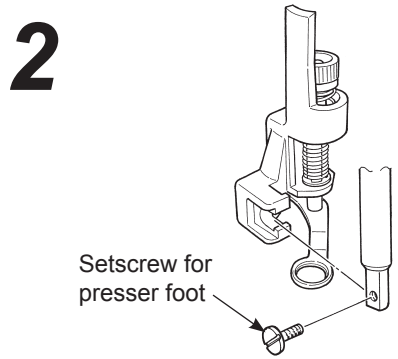
 	Pattern No.	Practical 00
	Presser foot	Quilt presser foot (Q)

**Attention** Turn OFF the power switch before replacing the presser foot.

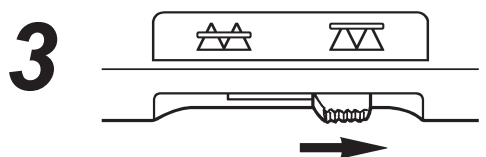
It is called free motion quilting when moving the fabrics freely towards any directions without using the feed dog of sewing machine. When the feed dog is lowered (drop feed condition), it is possible to sew various curves and/or any directions by moving the fabrics by hands.



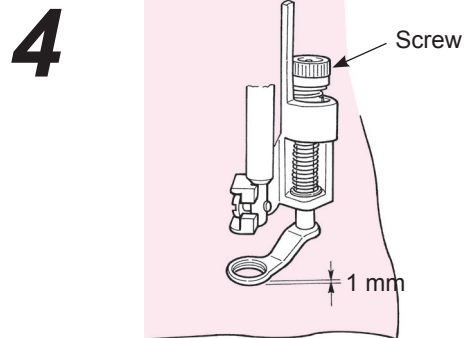
- Put top layer of fabric with patchwork and/or appliqué, quilting cotton and bottom fabric together by using pin or basting stitches.



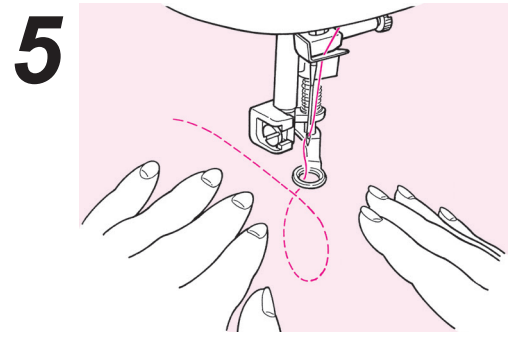
- **Assemble the quilt presser foot.**  
 Raise the presser bar. Loosen the setscrew for presser foot holder and remove the presser foot holder. (Refer to page 12) Set the quilting foot and tighten the setscrew for presser foot.



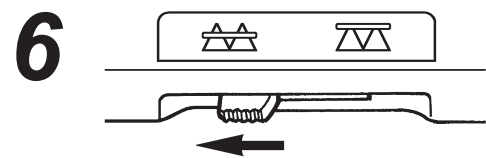
- **Move the drop feed knob to the right hand side.**  
 Feed dog is now down.



- Place the fabric underneath the presser foot and lower the presser foot.
- Adjust the height of presser foot according to the thickness of the fabrics by screw. When the height is 1mm from the surface of the fabrics, it will be easier to move the fabrics without interference.



- Use both hands to hold the fabrics and move it without letting it loose. The target stitch length is about 1.5~2.0mm.



- **When free motion sewing is finished, move the drop feed knob back to the left side.**  
 The feed dog will be up and engaged at the same time as the machine starts to sew.

**Tips**

- **How to lock stitches**
  1. At sewing start, pull up the bobbin thread on the top layer of the fabric, hold both needle and bobbin threads together and sew 3 stitches on the same point. After that move fabrics as you wish. In this way, stitches on the wrong side of the fabrics look neat.
  2. At sewing-end sew 3 stitches on the same point and stop.
- **How to sew stitches with the same stitch length**
  1. When the foot controller is used, the fabrics can be guided by both hands and you can move the fabrics freely.
  2. Set the speed controller to medium or medium low first, press the foot controller completely and move the fabrics.
    - if stitches become too large, set the speed controller to "faster"
    - if stitches become too small, set the speed controller to "slower".

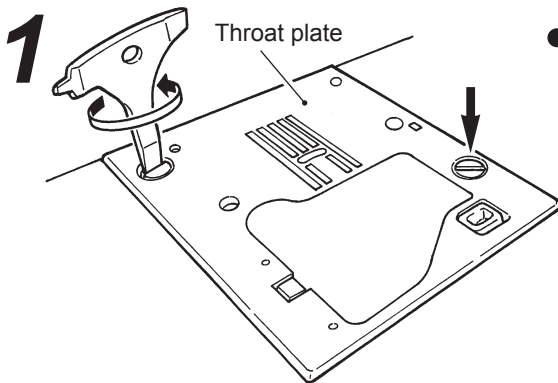
☆ When doing the free motion with zigzag stitch, use the quilt presser foot (transparent type) which is optionally available from your dealer.



# Machine Maintenance

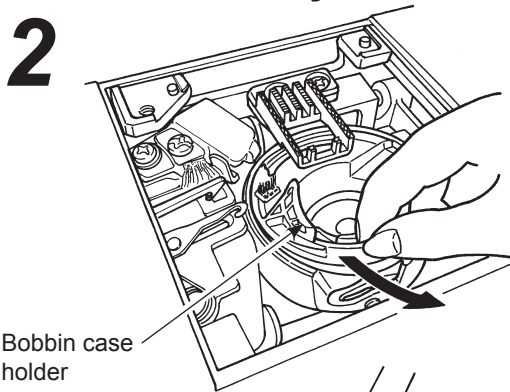
When lint and/or dirt has built up, it may cause machine failures. Therefore, clean the machine frequently.

**Attention** Always must be disconnected plug from socket-outlet before remove throat-plate and remove bobbin-case-holder.

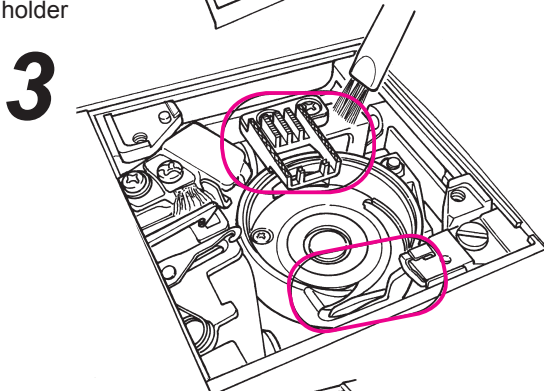


● **Remove the throat plate**

Remove needle and presser foot and remove the needle plate by using T-shape screwdriver.

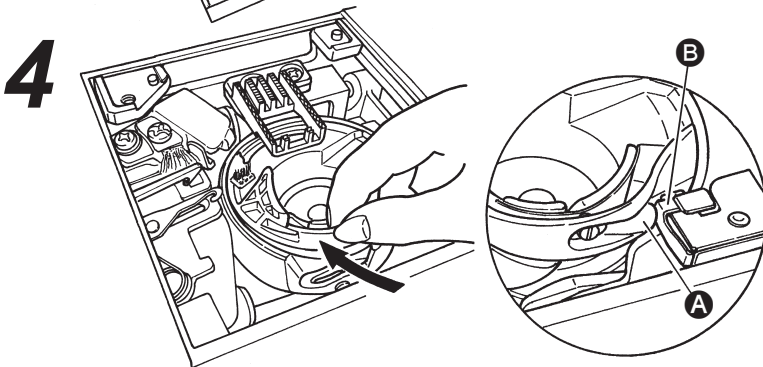


● **Remove the bobbin case holder.**



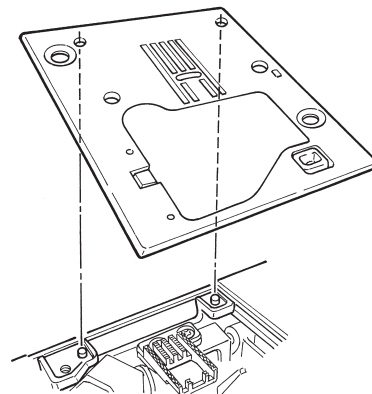
● **Remove lint and dirt.**

Remove lint and dirt around the feed dog and bobbin case holder with the cleaning brush.



● **Install the bobbin case holder.**

Install the bobbin case holder so that points **A** and **B** touch each other.



● **Install the throat plate.**

When attaching the throat plate, align the positioning pins with holes of throat plate.

# Performance check list

If sewing difficulties occur, make sure the instructions are correctly followed.  
If a problem still exists, the reminders below may help solve it.

Case	Cause (Reason)	Solution	Reference page
<ul style="list-style-type: none"> <li>The machine stops sewing suddenly. (This is in case you can turn hand wheel by hand.)</li> </ul>	<ul style="list-style-type: none"> <li>The machine sews at slow speed continuously. (The machine has a mechanism to automatically cut off the power to prevent the motor from overheating.)</li> </ul>	<ul style="list-style-type: none"> <li>Turn off the power and wait for a while (about 10 minutes). The safety mechanism will be reset and the machine will return to normal.</li> </ul>	3
<ul style="list-style-type: none"> <li>Sewing machine stops while sewing. (Hand wheel is heavy to turn.)</li> </ul>	<ul style="list-style-type: none"> <li>If the thread gets tangled and/or the needle is bent, motor will lock and safety mechanism works instantly and the sewing machine will stop sewing.</li> </ul>	<ul style="list-style-type: none"> <li>Get rid of cause(s) of thread tangling.</li> <li>Check if the needle is bent or not.                             <ul style="list-style-type: none"> <li>* Turn off the power before checking the needle.</li> </ul> </li> </ul>	- 18
<ul style="list-style-type: none"> <li>Sewing machine stops after sewing some stitches.</li> </ul>	<ul style="list-style-type: none"> <li>In case of relatively low room temperature and/or thread tangling, or in case the motor got excess load, the safety mechanism works and the sewing machine stops so that the machine will not get hot.</li> </ul>	<ul style="list-style-type: none"> <li>Leave the sewing machine in the room so that the sewing machine adapts itself to the room temperature.</li> <li>Get rid of cause(s) of thread tangling.</li> </ul>	3 -
<ul style="list-style-type: none"> <li>The machine will not work even when started.</li> </ul>	<ul style="list-style-type: none"> <li>Presser foot is in up position.</li> </ul>	<ul style="list-style-type: none"> <li>Lower the presser foot and start to sew.</li> </ul>	9
<ul style="list-style-type: none"> <li>The machine will not work even when start/stop button is pressed. (This is in case sewing light is still on.)</li> </ul>	<ul style="list-style-type: none"> <li>The needle hits presser foot due to an installation of incorrect presser foot.</li> <li>The needle fell into the hook area and tried to start.</li> </ul>	<ul style="list-style-type: none"> <li>Use the appropriate presser foot to the selected stitch pattern.</li> <li>Remove the needle from the hook area.</li> </ul>	- -
<ul style="list-style-type: none"> <li>Needle breaks.</li> </ul>	<ul style="list-style-type: none"> <li>Thick material is sewn with a thin needle.</li> <li>The needle is not inserted fully.</li> <li>The needle setscrew is not securely tightened.</li> <li>The wrong presser foot is used for a certain pattern.</li> </ul>	<ul style="list-style-type: none"> <li>Check the combination of fabric, thread and needle.</li> <li>Check the installation of needle.</li> <li>Securely tighten the needle setscrew.</li> <li>Check the combination of stitch pattern and presser foot to be used.</li> </ul>	18 18 18 -
<ul style="list-style-type: none"> <li>Loud noise and/or keen noise while sewing.</li> </ul>	<ul style="list-style-type: none"> <li>Lint or dust has accumulated in the feed dog.</li> <li>Lint or dust has accumulated in the hook.</li> </ul>	<ul style="list-style-type: none"> <li>Clean the feed dog area.</li> <li>Clean the hook area.</li> </ul>	49 49
<ul style="list-style-type: none"> <li>Machine fails to feed fabrics.</li> </ul>	<ul style="list-style-type: none"> <li>The stitch length is set at "0".</li> <li>Soft fabrics such as towels are being sewn.</li> <li>The machine is set in drop feed condition. (the drop feed knob is on the right side)</li> </ul>	<ul style="list-style-type: none"> <li>When the stitch pattern is reselected, the machine goes back to the default setting.</li> <li>Set the stitch length to 3 - 5.</li> <li>Set the drop feed knob to left side.</li> </ul>	24 - 19

Case	Cause (Reason)	Solution	Reference page
<ul style="list-style-type: none"> <li>Needle can not be threaded. (This is in case needle threader will not turn.)</li> <li>The hook of needle threader does not go through the needle eye.</li> </ul>	<ul style="list-style-type: none"> <li>The needle is not in the up position. (When needle is not in the up position, needle threader will not turn. This is to avoid damages to the hook.)</li> </ul>	<ul style="list-style-type: none"> <li>Rotate the hand wheel and lift the needle upwards.</li> </ul>	16
	<ul style="list-style-type: none"> <li>The needle is not inserted fully.</li> </ul>	<ul style="list-style-type: none"> <li>Check the installation of the needle.</li> </ul>	18
<ul style="list-style-type: none"> <li>The needle threading lever will not return to the original position and the machine can not turn properly. (This is in case the hook of needle threader remains in the needles eye.)</li> </ul>	<ul style="list-style-type: none"> <li>Hand wheel is turned by mistake while the needle threading lever is in down position. (in the process of threading to the needle.)</li> </ul>	<ul style="list-style-type: none"> <li>Turn hand wheel slightly away from you. (to the opposite side when sewing).</li> </ul>	-
<ul style="list-style-type: none"> <li>The machine will not start even when start/stop button is pressed.</li> </ul>	<ul style="list-style-type: none"> <li>The foot controller is plugged in.</li> </ul>	<ul style="list-style-type: none"> <li>Start/stop button can function when foot controller is removed.</li> </ul>	8
<ul style="list-style-type: none"> <li>Thread breaks.</li> <li>Stitch is skipped.</li> </ul>	<ul style="list-style-type: none"> <li>The machine is incorrectly threaded.</li> <li>There is knot or knurl on the thread.</li> <li>The setting of manual thread tension is incorrect.</li> </ul>	<ul style="list-style-type: none"> <li>Rethread the machine correctly.</li> <li>Remove knot or knurl from thread.</li> <li>Adjust thread tension manually according to fabrics and thread to be used.</li> </ul>	16 - 19
	<ul style="list-style-type: none"> <li>The needle is bent or the tip of needle is broken.</li> </ul>	<ul style="list-style-type: none"> <li>Change needle.</li> </ul>	18
	<ul style="list-style-type: none"> <li>The needle is installed incorrectly.</li> </ul>	<ul style="list-style-type: none"> <li>Install needle correctly.</li> </ul>	18
	<ul style="list-style-type: none"> <li>Threading of bobbin thread is not correct.</li> </ul>	<ul style="list-style-type: none"> <li>Check the correct way of setting bobbin thread.</li> </ul>	15
	<ul style="list-style-type: none"> <li>The bobbin can not turn smoothly inside the hook holder.</li> </ul>	<ul style="list-style-type: none"> <li>Check the correct way of winding bobbin thread.</li> </ul>	-
	<ul style="list-style-type: none"> <li>The needle size does not match the thread.</li> </ul>	<ul style="list-style-type: none"> <li>Check the combination of thread and needle.</li> </ul>	18
	<ul style="list-style-type: none"> <li>Thread take-up is not threaded.</li> </ul>	<ul style="list-style-type: none"> <li>Rethread the machine correctly.</li> </ul>	16
<ul style="list-style-type: none"> <li>Thread tension is not good.</li> </ul>	<ul style="list-style-type: none"> <li>The needle thread is threaded incorrectly.</li> </ul>	<ul style="list-style-type: none"> <li>Rethread the machine correctly.</li> </ul>	16
	<ul style="list-style-type: none"> <li>The bobbin thread is threaded incorrectly.</li> </ul>	<ul style="list-style-type: none"> <li>Check the correct way of setting bobbin thread.</li> </ul>	15
	<ul style="list-style-type: none"> <li>The direction of spool cap doesn't match the spool.</li> </ul>	<ul style="list-style-type: none"> <li>Attach the spool cap in a correct direction.</li> </ul>	16
<ul style="list-style-type: none"> <li>Puckering occurs.</li> </ul>	<ul style="list-style-type: none"> <li>The stitch length is too large on light-weight fabrics.</li> </ul>	<ul style="list-style-type: none"> <li>Make the stitch length smaller (shorter).</li> </ul>	24
	<ul style="list-style-type: none"> <li>The needle tip is broken.</li> </ul>	<ul style="list-style-type: none"> <li>Change needle.</li> </ul>	18

## List of stitch patterns



00 01 02 03 04 05 06 07 08 09



10 11 12 13 14 15 16 17 18 19 20 21 22



23 24 25 26 27 28 29 30 31 32 33 34 35 36 37 38 39



### One-point

00 01 02 03 04 05 06 07 08 09 10 11 12 13 14 15 16 17 18 19



20 21 22 23 24 25 26 27 28 29 30 31 32 33 34 35 36 37 38 39



### Letters/numbers/signs

00 01 02 03 04 05 06 07 08 09 10 11 12 13 14 15 16 17 18 19 20 21 22 23 24 25

A B C D E F G H I J K L M N O P Q R S T U V W X Y Z

26 27 28 29 30 31 32 33 34 35 36 37 38 39 40 41 42 43 44 45 46 47 48 49 50 51

a b c d e f g h i j k l m n o p q r s t u v w x y z

52 53 54 55 56 57 58 59 60 61 62 63 64 65 66 67 68 69 70 71 72 73 74 75

1 2 3 4 5 6 7 8 9 0 @ ! ? & □ □ □ □ □ □ □ □ / : ;

76 77 78 79 80 81 82 83 84 85 86 87 88 89 90 91 92 93 94 95 96 97 98 99

Ä Å Æ à ä å è é ê ë Ç œ ç ì Ñ ñ Ö Ø ò ö ø Û ü ù

## “INSTRUCCIONES DE SEGURIDAD IMPORTANTES”

Cuando utilice un aparato eléctrico, deben seguirse las precauciones de seguridad básicas, incluidas las siguientes: Lea todas las instrucciones antes de utilizar esta máquina de coser.

### “PELIGRO \_\_\_\_ Para reducir el riesgo de descarga eléctrica:”


1. La máquina no debe dejarse nunca desatendida cuando está enchufada al tomacorriente.
2. Desenchufe siempre esta máquina de la toma de corriente inmediatamente después de utilizarla y antes de limpiarla.

### “ADVERTENCIA \_\_\_\_ Para reducir el riesgo de quemaduras, incendio, descarga eléctrica o cualquier otro daño a personas:”

1. Este aparato doméstico no es ningún juguete. Tener mayor cuidado si la máquina la usan los niños o si se usa cerca de ellos. Esta máquina de coser puede ser utilizado por niños de edades comprendidas entre 8 y más años y las personas con capacidades físicas, sensoriales o mentales, o con falta de experiencia y conocimiento si han sido supervisados o instruidos acerca del uso de la máquina de coser de una manera segura y entender los riesgos involucrados. los niños no deben jugar con la máquina de coser. Limpieza y mantenimiento de usuario no puede estar por niños sin supervisión.
2. Use esta máquina para los fines correctos descritos en esta guía. Utilice sólo los accesorios recomendados por el fabricante y contenidos en este manual.
3. Nunca utilice esta máquina si el cable o el enchufe están dañados, si no funciona correctamente, si se ha caído, está dañada o si se ha mojado. Devuelva la máquina al distribuidor o servicio técnico autorizado más cercano para su inspección, reparación y ajuste eléctrico o mecánico.
4. Nunca utilice la máquina con las aberturas de ventilación bloqueadas. Mantenga las aberturas de ventilación de la máquina de coser y el pedal libre de acumulaciones de fibra, polvo y retales.
5. No acerque los dedos a las partes móviles. Preste especial atención a la aguja de la máquina de coser.
6. Utilice siempre la placa aguja adecuada. Una placa aguja no adecuada puede romper la aguja.
7. No utilice agujas torcidas.
8. No tire de la ropa ni la empuje cuando esté cosiendo. Puede deformar la aguja y acabar por romperla.
9. Apague la máquina de coser pulsando la posición “O” del interruptor de la corriente eléctrica antes de efectuar cualquier ajuste en el área de agujas, tales como enhebrado de hilos, cambio de aguja, bobinado del hilo de la canilla, o cambio del pie prensatelas.
10. Desenchufe siempre la máquina de coser de la toma de corriente cuando retire cubiertas, la lubrique o realice cualquier otro ajuste de servicio mencionado en el manual de instrucciones.
11. No introduzca ningún objeto en ninguna abertura.
12. No utilice la máquina en exteriores.
13. No utilice la máquina si se utilizan productos en aerosol (spray) o si se administra oxígeno.
14. Para desconectar la máquina, establezca todos los controles en posición apagada (“O”), y desenchúfela de la toma de corriente.
15. No desenchufe la máquina tirando del cable. Para desenchufarla, sujete el enchufe, no el cable.
16. Generalmente, cuando la máquina no se usa tiene que desconectarse quitando el enchufe de la red eléctrica.
17. Esta máquina está dotada de un aislamiento doble. Utilizar únicamente piezas de recambio originales. Observar las indicaciones para el mantenimiento de productos con aislamiento doble.
18. Esta máquina está dotada de aislamiento doble, excepto en máquinas destinadas a EE.UU./ Canadá. Utilizar únicamente piezas de recambio idénticas. Véanse las instrucciones para el mantenimiento de máquinas con aislamiento doble.

### “MANTENIMIENTO DE PRODUCTOS DE ISOLACION DOBLE”

Un producto de aislamiento doble tiene dos unidades de aislamiento en vez de una toma de tierra. En un producto de aislamiento doble no hay una toma de tierra, y tampoco debe incluirse una. El mantenimiento de un producto de aislamiento doble requiere mucha atención y conocimiento del sistema. Pos eso sólo un especialista puede hacer este trabajo de mantenimiento. Usar únicamente piezas de recambio originales. Un producto de aislamiento doble está marcado con: “Doble isolación” o “Isolación doble”.

El símbolo  puede también indicar semejante producto.

### “GUARDE BIEN ESTAS NORMAS DE SEGURIDAD”

“Esta máquina de coser está destinada sólo para uso doméstico.”



Felicitaciones por haber adquirido una máquina de coser JUKI.

Asegúrese de leer las precauciones de seguridad indicadas en el apartado “Uso seguro de la máquina de coser” del Manual de instrucciones antes del uso para comprender plenamente las funciones y procedimientos de operación de la máquina de coser de modo que pueda utilizarla durante mucho tiempo.

Una vez leído el Manual de instrucciones, asegúrese de guardarlo junto con la garantía de modo que pueda consultarlo cuando sea necesario.

## Uso seguro de la máquina de coser

Las marcas y los pictogramas incluidos en el Manual de instrucciones y mostrados en la máquina de coser se utilizan con la finalidad de garantizar el funcionamiento seguro de la máquina de coser y evitar posibles riesgos de lesión al usuario y a terceros. Las marcas de advertencia se utilizan con distintas finalidades, tal y como se describe a continuación.

 <b>ADVERTENCIA</b>	Indica que existe el posible riesgo de muerte o lesiones graves si esta marca es ignorada y la máquina de coser se utiliza de forma incorrecta.
 <b>PRECAUCIÓN</b>	Indica la operación, etc., que puede causar un posible riesgo de lesiones personales y/o daños físicos si esta marca es ignorada y la máquina de coser es utilizada de forma incorrecta.

A continuación se indica el significado de los pictogramas:

	Advertencia de peligro no especificada		Existe el riesgo de sufrir descargas eléctricas		Existe riesgo de incendio		Existe riesgo de lesionarse las manos, etc.
	Prohibición no especificada		Desmontaje/alteración prohibido		No coloque sus dedos debajo de la aguja		No vierta el aceite, etc
	Comportamiento generalmente necesario		Desconecte la clavija de alimentación				



## ⚠️ ADVERTENCIA

Para la combinación del material y el hilo de aguja, en particular, consulte la tabla de explicación en “Sustitución de la aguja”.

Si la aguja o el hilo no coinciden con el material utilizado, como por ejemplo en el caso de coser un material muy pesado (p. ej., tela vaquera) con una aguja fina (#11 o más), la aguja podría romperse y causar lesiones personales inesperadas.

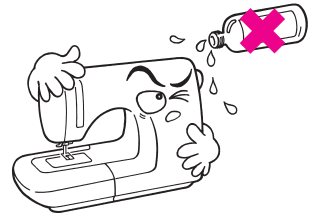
## Otras precauciones

- No exponga la máquina a la luz del sol directa ni a ambientes húmedos.



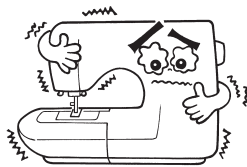
- No utilice disolventes para limpiar la máquina.

Si la máquina de coser está sucia, aplique una pequeña cantidad de detergente neutro en un paño suave y limpie cuidadosamente la máquina de coser con él.



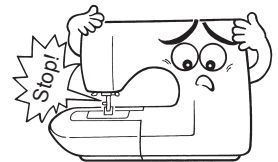
Tenga en cuenta que el siguiente estado puede tener lugar desde que la máquina de coser incorpore partes electrónicas semiconductoras y componentes precisos circuitos electrónicos.

- Asegúrese de utilizar la máquina de coser a temperaturas de entre 5 °C a 40 °C. Si la temperatura es excesivamente baja, la máquina podría no funcionar con normalidad.



- El mecanismo de seguridad detendrá esta máquina de coser para que evite que se recaliente cuando cosa lentamente durante mucho tiempo. En este caso, el botón de arranque y parada no estará iluminado.

La máquina de coser volverá a condiciones operativas tras unos 10 minutos.



\* La temperatura de operación de la máquina de coser es de entre 5 °C a 40 °C. No utilice la máquina de coser bajo la luz solar directa, cerca de aparatos de combustión, como por ejemplo una estufa o una vela, o en lugares húmedos. Si lo hace, la temperatura interior de la máquina de coser podría aumentar o el recubrimiento del cable de alimentación podría derretirse, causando incendios o descargas eléctricas.



# CONTENIDO

Instrucciones de seguridad importantes .....	1~3
Componentes principales .....	5
Accesorios .....	6

## Operaciones básicas

Función de los botones de operación .....	7
Conexión a la toma de alimentación .....	8
Control de la velocidad .....	9
Palanca de elevación del prensatelas .....	9
Nombre y función de otros botones de operación ...	10, 11
Sustitución del prensatelas .....	12, 13
Preparación de la canilla .....	14, 15
Preparación del hilo de la aguja .....	16, 17
Enhebrado del hilo de la aguja	
Enhebrado automático de la aguja	
Subir el hilo de la canilla	
Colocación de la aguja .....	18
Tabla de tejido, hilo y aguja .....	18
Cómo ajustar la tensión del hilo .....	19
Descenso de los dientes .....	19
Seleccionar un patrón de costura .....	20, 21

## Costura práctica

Pespunte recto .....	22~26
Cómo utilizar una guía de costura en la placa aguja	
Cambiar posiciones de la aguja	
Cambiar la longitud de la puntada	
Puntada de seguridad automática y corte programado del hilo	
Otros patrones de pespunte recto	
Puntada en zig zag .....	26
Sobrehilado .....	27
Puntada invisible .....	28, 29
Puntada para ojales .....	30~33
Ojales normales	
Ojales especiales	
Ojal con refuerzo	
Cambiar la anchura del ojal	
Cambiar la densidad de la puntada	
Presellado .....	34
Colocación de cremalleras .....	35, 36
Colocación lateral de cremalleras	
Colocación inferior de cremalleras	
Fruncido y fruncido elástico .....	37
Lorzas .....	37
Costura de refuerzo .....	38
Puntadas decorativas y una puntada de punto .....	38
Puntadas con festones .....	39

## Colchas de patchwork

Acolchado .....	39
Aplicación .....	40

## Puntadas decorativas

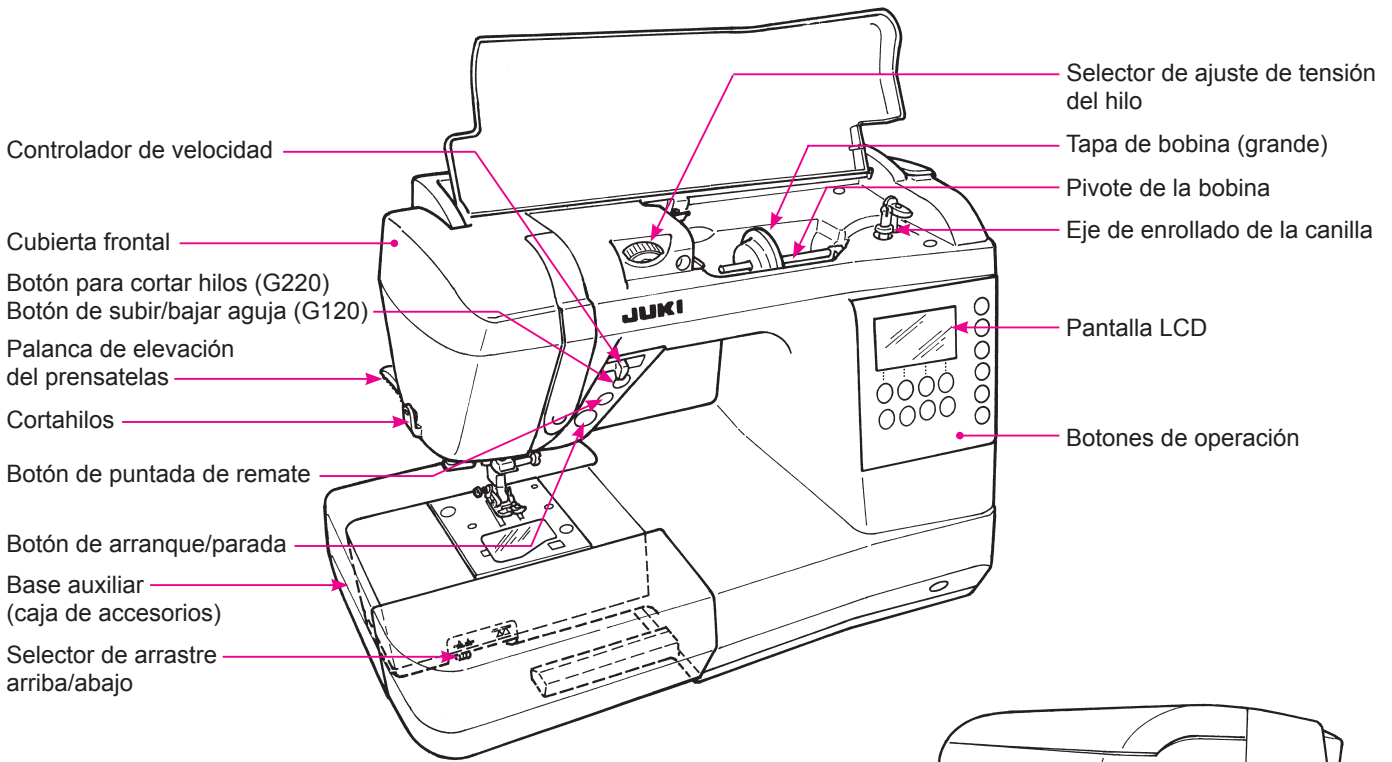
Cosiendo letras y un punto .....	41~43
Preparación antes de coser .....	41
Puntada de prueba .....	41
Selección de patrones (letras) .....	42, 43
Coser un patrón (letras) .....	43
Desechado del hilo sobrante en puntadas salteadas .....	43
Como coser puntadas combinadas consecutivas .....	44

## Accesorios opcionales

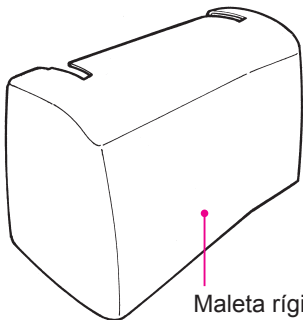
Introducción de accesorios opcionales .....	44, 45
Instalación de la mesa de expansión .....	46
Uso de la guía de acolchar .....	46
Puntada con guía central .....	47
Acolchado (pespunte recto) .....	47
Acolchado libre .....	48

Mantenimiento de la máquina .....	49
Resolución de problemas .....	50, 51
Lista de patrones de costura .....	52
Especificaciones .....	Contraportada

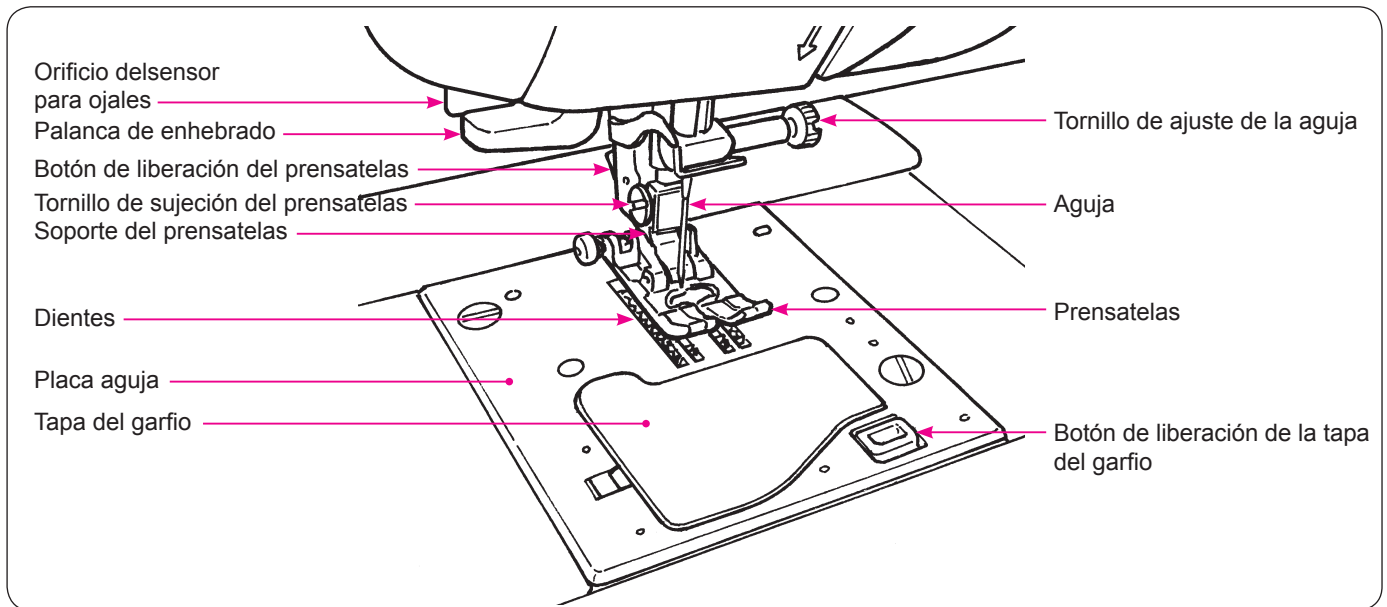
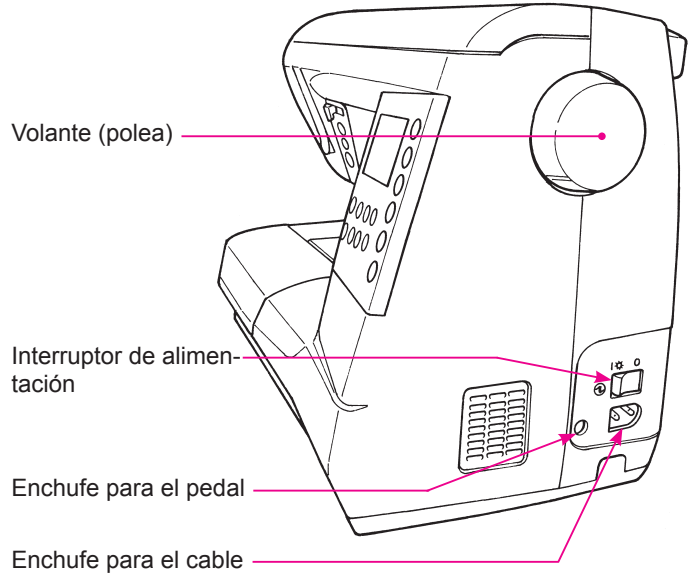
# Componentes principales



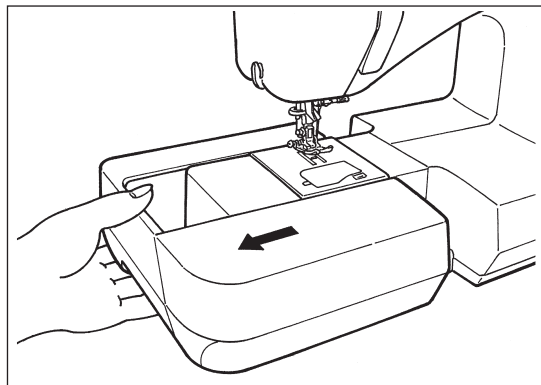
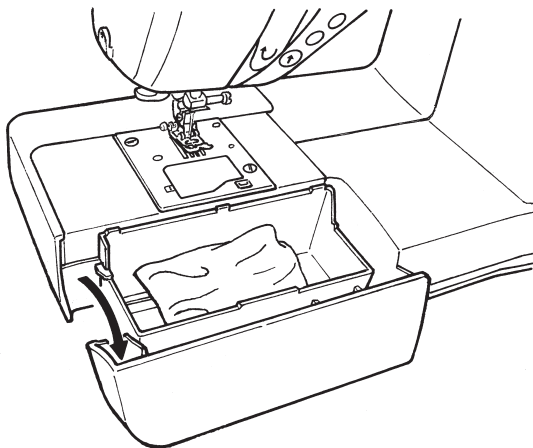
ESPAÑOL



\* No coloque objetos pesados en la maleta rígida y la mesa extensible.

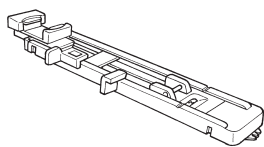


# Accesorios



Tire de la base auxiliar hacia la izquierda.

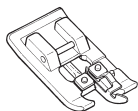
## • Interior de la base auxiliar.



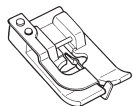
Prensateles para ojales (E)



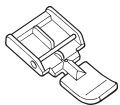
Prensateles para ojales manuales (I)



Prensateles de sobrehilar (C)



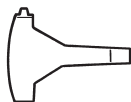
Prensateles para puntadas invisibles (D)



Prensateles para cremalleras (B)



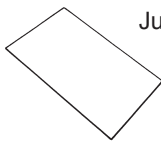
Canilla (3)



Destornillador en forma de T



Descosedor / Cepillo de limpieza

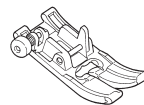


Juego de agujas  
HA X 1 nº 11 (1)  
nº 14 (1)  
nº 16 (1)  
para punto nº 11 (1)



Tapa para bobina de hilo (pequeña)

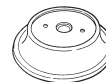
## • Suministrado con la máquina



Prensateles estándar (A)



Canilla (1)

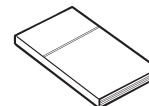


Tapa para bobina de hilo (grande)

## • Colocada en la espuma de poliestireno



Pedal (el modelo; 4C-339G)



Manual de instrucciones (este manual)

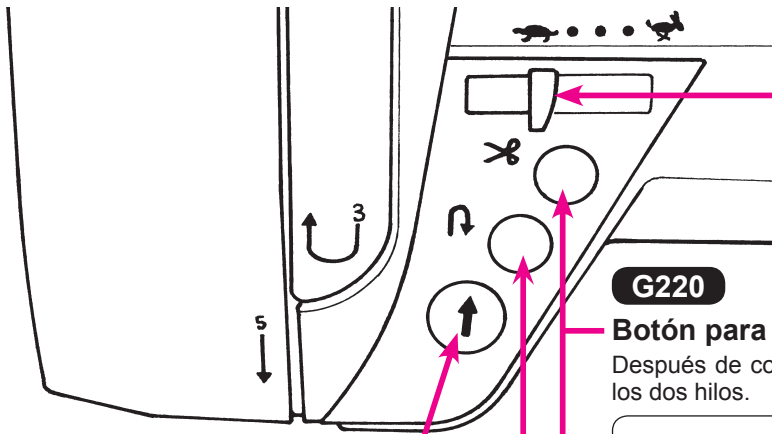


Cable de alimentación



DVD de instrucciones

## Función de los botones de operación



### Regulador de velocidad

Puede ajustar la velocidad mientras cose.

**G220**

### Botón para cortar hilos

Después de coser, pulse este botón para cortar automáticamente los dos hilos.

#### Notas para el corte de hilos:

1. No utilice un hilo con un grosor superior al núm. 30.
2. Después de realizar el corte, la puntada puede finalizarse sin tirar del hilo de la canilla.
3. Cuando vuelva a coser después de cortar el hilo, si vuelve a tirar del hilo de la canilla y lo coloca debajo del prensatelas junto con el hilo de la aguja, puede evitar acumulaciones de hilo en el reverso del tejido.
4. Limpie con regularidad la máquina (consulte la página 49), ya que el polvo del área de la unidad del cortahilos puede provocar anomalías.

**G120**

### Botón de ascenso/descenso de la aguja

Cuando la máquina se detenga, pulse este botón para cambiar la posición de la aguja.

(Cuando la aguja esté elevada, descenderá, y viceversa.)

**⚠ Cuando el prensatelas esté elevado, vigile que la aguja se mueva hacia arriba o hacia abajo.**

### Botón de marcha/parada

Cuando pulse este botón, la máquina empezará a coser lentamente hasta alcanzar la velocidad establecida en el regulador de velocidad. Si pulsa de nuevo este botón, la máquina se detendrá con la aguja en posición bajada.

El color del botón indica el estado de la máquina.

**Verde:** Preparado para funcionar y/o costura en curso

**Rojo:** No preparado para funcionar (cuando se pulsa con la luz roja, la aguja se mueve una puntada.)

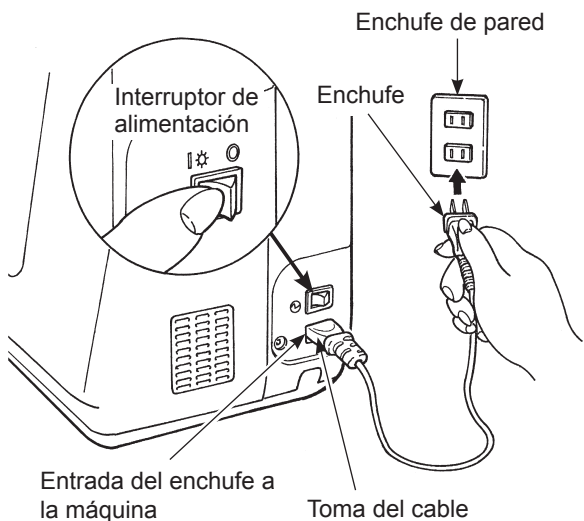
**Naranja:** La máquina está en posición de bobinado

### Botón de puntada de remate

Mientras pulse este botón, la máquina coserá en sentido inverso (puntada de seguridad).

# Conexión a la toma de alimentación

**⚠ Advertencia** • Siempre que no vaya a utilizar la máquina, desconecta la clavija y apague el interruptor (posición "O"). De lo contrario, se puede producir una descarga eléctrica o un incendio.

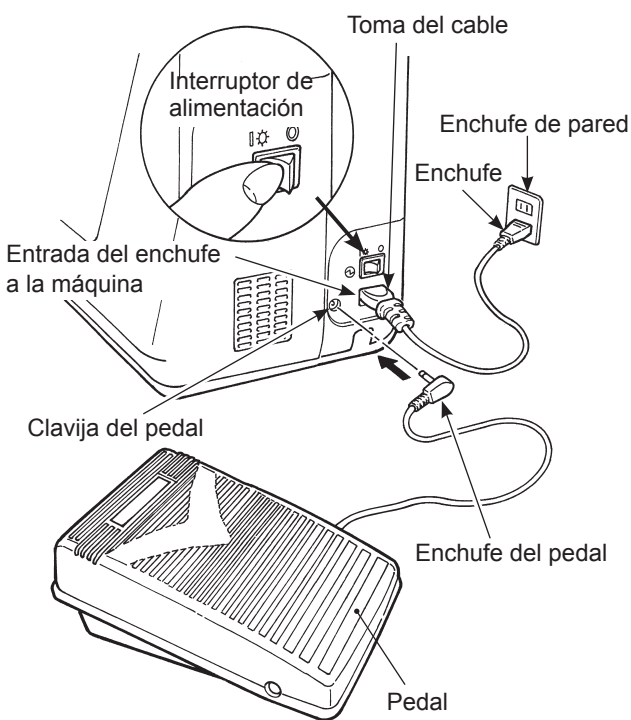


★ **En lugar de usar pedal, use el pulsador Start/Stop:**

1. Apague el interruptor (posición "O")
2. Inserte el cable al enchufe de la máquina.
3. Inserte la clavija en el enchufe.
4. Encienda el interruptor (posición "I")

**Advertencia (SÓLO PARA EE.UU. Y CANADÁ)**

Este aparato tiene un enchufe polarizado (una patilla más ancha que la otra). Para reducir el riesgo de descarga eléctrica, este enchufe está ideado para que encaje en una toma polarizada sólo de una forma. Si el enchufe no encaja en la toma, enchúfelo al revés. Si todavía no encaja, póngase en contacto con un electricista cualificado para instalar la toma correcta. No modifique el enchufe de ningún modo.

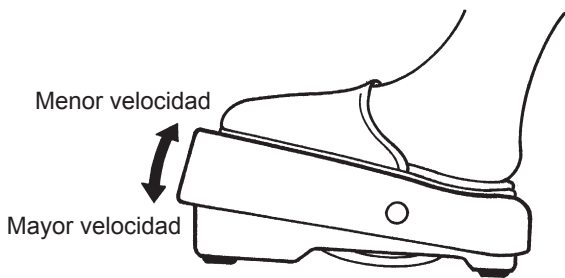
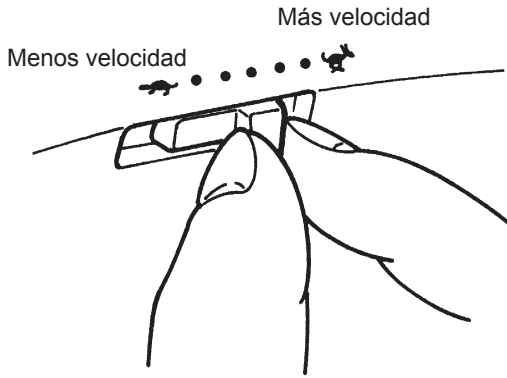


★ **Usando el pedal:**

1. Apague el interruptor (posición "O")
  2. Inserte la clavija del pedal al conector de la máquina.
  3. Inserte la clavija al conector de la máquina.
  4. Inserte la clavija a la toma de salida.
  5. Encienda la máquina (posición "I")
- \* Cuando el pedal esta conectado, el pulsador de start/stop no funciona para iniciar la máquina.  
El pulsador Start no funciona para que la máquina empiece a coser.  
El pulsador Stop no funciona para parar la máquina.

★ **Operación apagado y encendido:**  
Para apagar la máquina el interruptor debe estar en "O".  
Para iniciar la máquina el interruptor debe estar en "I".

## Control de la velocidad



### ★ Regulador de velocidad

Puede ajustarse libremente la velocidad máxima de costura mediante el regulador de velocidad.

### ★ Pedal

Para operar la máquina, pulse el pedal.

Cuanta más intensidad aplique al pedal, a mayor rapidez coserá la máquina.

El regulador de velocidad establecerá la velocidad máxima de costura.

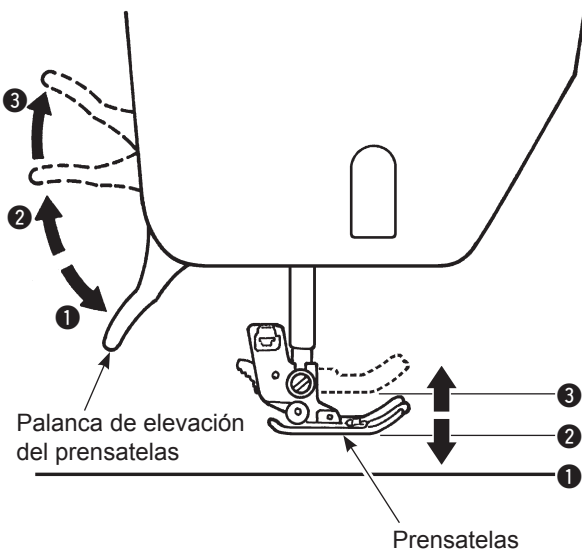
**Mayor presión → Mayor velocidad**

**Menor presión → Menor velocidad**

\* Limpie siempre el pedal.

Es importante no colocar objetos en el pedal, porque puede provocar lesiones al usuario y pueden producirse anomalías.

## Palanca de elevación del prensatelas



El prensatelas puede colocarse en posición elevada o bajada por medio de la palanca de elevación del prensatelas.

① Posición bajada ..... El prensatelas debe estar bajado al coser.

② Posición elevada normal ..... Esta posición se utiliza para extraer el tejido o cambiar el prensatelas.

③ Posición elevada adicional ..... Esta posición se utiliza para colocar material pesado debajo del prensatelas.

\* Procure que el prensatelas y la aguja no interfieran cuando la aguja esté en posición bajada y el prensatelas se eleve a la posición de elevación adicional.

# Nombre y función de otros botones de operación

## ■ Botones operativos y pantalla

**G220**

**Posición de parada de la aguja**

	El aguja se para en la posición más alta
	El aguja se para en la posición más baja

**Prensateles que debe utilizarse (marca)**

**Número de patrón**

**Ancho de zigzag**

**Longitud de la puntada**

**1 Botón de selección de patrón**

**2 Pulsador de ajuste de ancho de zigzag**

**3 Pulsador de ajuste de longitud de puntada**

**4 Botón de puntada de seguridad automática y corte de hilos**

**5 Pulsador de aguja arriba/abajo / Botón conmutador de posición de parada de aguja**

**6 Botón conmutador de modo de selección de patrón**

**7 Pulsador de memoria**

**8 Botón Borrar**

**9 Pulsador de puntada**

**Modo de selección de patrón**

	Patrones prácticos
	Patrones de un punto
	Letras

**G120**

**Posición de parada de la aguja**

	El aguja se para en la posición más alta
	El aguja se para en la posición más baja

**Prensateles que debe utilizarse (marca)**

**Número de patrón**

**Ancho de zigzag**

**Longitud de la puntada**

**1 Botón de selección de patrón**

**2 Pulsador de ajuste de ancho de zigzag**

**3 Pulsador de ajuste de longitud de puntada**

**4 Rematado automático**

**5 Botón conmutador de posición de parada de aguja**

**6 Botón conmutador de modo de selección de patrón**

**7 Pulsador de memoria**

**8 Botón Borrar**





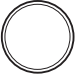
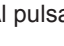


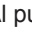

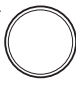

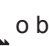

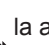

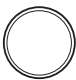

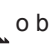

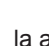

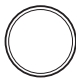


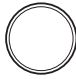
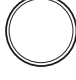


**9 Pulsador de puntada**

**Modo de selección de patrón**

	Patrones prácticos
	Patrones de un punto
	Letras



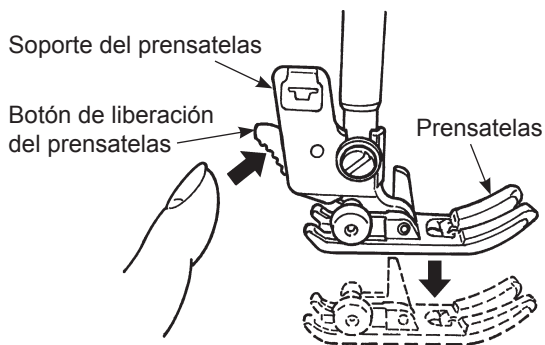
■ Nombre y función de los botones de operación

1		<p><b>Botón de selección de patrón</b></p>	<p>Este se utiliza para escoger el numero de puntada. El lado izquierdo para las decenas. El lado derecho para las unidades.</p>
2		<p><b>Pulsador de ajuste de ancho de zigzag</b></p>	<p>Se utiliza para cambiar el ancho de zigzag y la posición de la aguja.</p>
3		<p><b>Pulsador de ajuste de longitud de puntada</b></p>	<p>Se utiliza para cambiar la longitud de la puntada.</p>
4	<p><b>G220</b></p>  	<p><b>Botón de puntada de seguridad automática y corte de hilos</b></p>	<p>Al pulsarlo, se verá el símbolo “” en pantalla. La máquina realizará automáticamente puntadas de seguridad al inicio y al final de la costura y cortará ambos hilos.</p>
	<p><b>G120</b></p>  	<p><b>Rematado automático</b></p>	<p>Al pulsarlo, se verá el símbolo “” en pantalla. La máquina rematará automáticamente al inicio y al final de la costura.</p>
5	<p><b>G220</b></p>  	<p><b>Pulsador de aguja arriba/abajo / Botón conmutador de posición de parada de aguja</b></p>	<p>Mientras la máquina de coser esta parada, presionar este pulsador para cambiar la posición de la aguja arriba o abajo. Cuando la aguja está arriba y presiona el pulsador, entonces la aguja se moverá hacia abajo y cuando la aguja está abajo y presiona el pulsador entonces la aguja se desplaza hacia arriba. Si presiona el pulsador constantemente,, entonces se programará la posición de la aguja según usted decida la posición arriba o abajo. Al pulsarlo, se verá o bien el símbolo  o bien  en pantalla. Si se cose con el símbolo  la aguja se detendrá en su posición más alta. Si se cose con el símbolo  la aguja se detendrá en su posición más baja.</p>
	<p><b>G120</b></p>  	<p><b>Botón conmutador de posición de parada de aguja</b></p>	<p>Al pulsarlo, se verá o bien el símbolo  o bien  en pantalla. Si se cose con el símbolo  la aguja se detendrá en su posición más alta. Si se cose con el símbolo  la aguja se detendrá en su posición más baja.</p>
6	 	<p><b>Botón conmutador de modo de selección de atrón</b></p>	<p>Esto se utiliza para cambiar el modo de selección de las puntadas. Patrones prácticos , Patrones de un punto , Letras <b>ABC</b></p>
7	<p><b>MEM</b></p> 	<p><b>Pulsador de memoria</b></p>	<p>Esto se utiliza para guardar las letras seleccionadas o puntadas en memoria.</p>
8	<p><b>CLR</b></p> 	<p><b>Botón Borrar</b></p>	<p>Esto se utiliza para borrar la selección de las puntadas. Cuando el pulsador es presionado una vez, la puntada seleccionada será borrada, y cuando el pulsador se presiona constantemente, se borrarán todas las puntadas guardadas.</p>
9	 	<p><b>Pulsador de puntada</b></p>	<p>Esto se utiliza para guarda la forma de la puntada. (ver pagina 41)</p>

# Sustitución del prensatelas

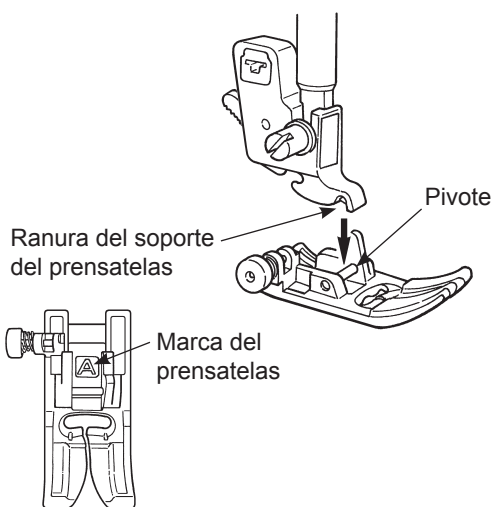
## ■ Extracción e instalación del prensatelas

**⚠ Atención** Apague la máquina antes de sustituir el prensatelas.



### ★ Extracción del prensatelas

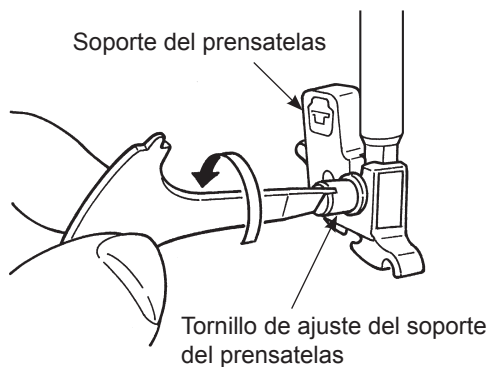
1. Levante la aguja y el prensatelas.
2. Presione el botón de liberación del prensatelas para extraer el prensatelas.



### ★ Instalación del prensatelas

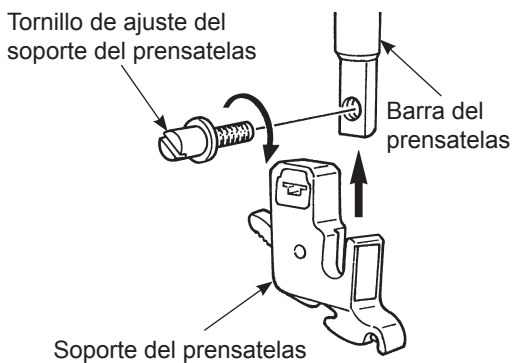
- Alinee el pivote del prensatelas y la ranura en el soporte del prensatelas.  
A continuación, baje el soporte del prensatelas con la palanca de elevación del prensatelas.  
\* Cada prensatelas posee una marca. Utilice el prensatelas apropiado para el patrón de costura que deba coserse.

## ■ Extracción e instalación del soporte del prensatelas



### ★ Extracción del soporte del prensatelas

1. Levante la aguja y la palanca de elevación del prensatelas.
2. Afloje el tornillo de ajuste del soporte del prensatelas a la izquierda y extraiga el soporte del prensatelas.



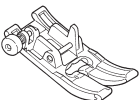
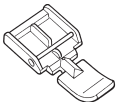
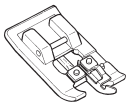
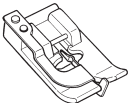
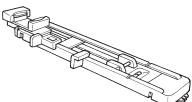

### ★ Instalación del soporte del prensatelas

- Alinee el orificio del tornillo en la barra del prensatelas con el orificio del soporte del prensatelas (la ranura grande). Apriete el tornillo de ajuste con firmeza girándolo hacia la derecha.

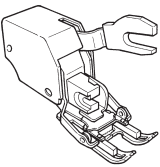
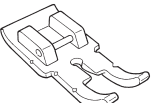

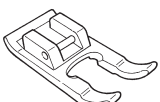
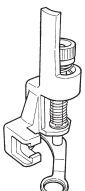
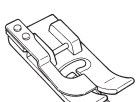
## ■ Tipos y aplicaciones de los prensatelas

Marca del prensatelas



	<b>Prensatelas estándar</b>	<b>A</b>	Se utiliza principalmente para puntadas rectas y en zigzag. Utilice este prensatelas especialmente cuando cosa materiales pesados.
	<b>Prensatelas para cremalleras</b>	<b>B</b>	Se utiliza para coser cremalleras.
	<b>Prensatelas para sobrehilado</b>	<b>C</b>	Este prensatelas se utiliza exclusivamente para el sobrehilado a fin de evitar que el borde cortado de los tejidos se deshilache.
	<b>Prensatelas para puntadas invisibles</b>	<b>D</b>	Este prensatelas se utiliza para puntadas invisibles en dobladillos de pantalones y faldas o en mangas.
	<b>Prensatelas para ojales</b>	<b>E</b>	Este prensatelas se utiliza para la costura automática de ojales.
	<b>Prensatelas para ojales manuales</b>	<b>I</b>	Se utiliza para realizar puntadas decorativas, letras y remates.

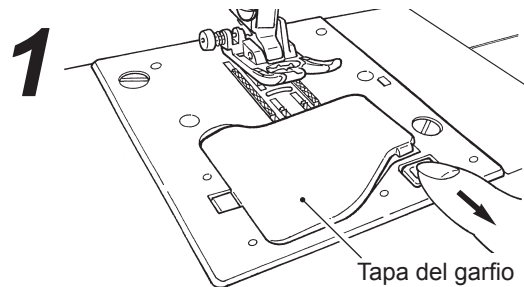
## ★ Prensatelas opcional

	<b>Prensatelas de doble arrastre</b>	<b>N</b>	En general, este prensatelas se utiliza para material que resulta difícil pasar por la máquina, como tricotados, punto, vinilo, cuero y cuero artificial o colchas.
	<b>Prensatelas para patchwork</b>	<b>P</b>	Este prensatelas se utiliza para puntadas de patchwork. Hay dos costuras, a 1/4 y un 1/8 de pulgada respecto a la posición central de la aguja.
	<b>Prensatelas deslizante</b>	<b>T</b>	Este prensatelas se utiliza para coser materiales no deslizantes, como el vinilo y el satén.
	<b>Prensatelas de aplicación abierto</b>	<b>O</b>	Se utiliza para aplicaciones y puntadas decorativas. (La parte frontal del prensatelas está abierto para facilitar la visibilidad.)
	<b>Prensatelas de acolchar</b>	<b>Q</b>	Se utiliza para acolchar. (Ajuste de la máquina: puntada recta y posición central de la aguja)
	<b>Prensatelas para bordes</b>	<b>R</b>	Se utiliza en patchwork para coser la línea central de materiales unidos utilizando la guía central del prensatelas. * Ajuste con precisión la posición de la aguja por medio del selector de ajuste de la anchura de zigzag.

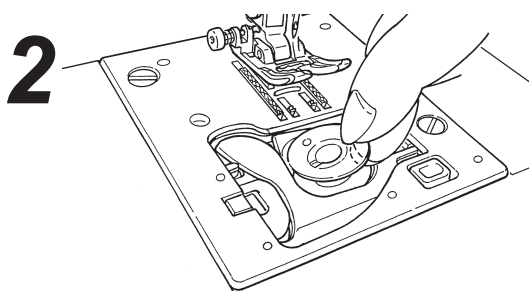
# Preparación de la canilla

**Atención** Cuando se extraiga la canilla y/o se coloque en su receptáculo, desconecte la alimentación (establecer en "O").

## Extracción de la canilla



● Abra la tapa del garfio.

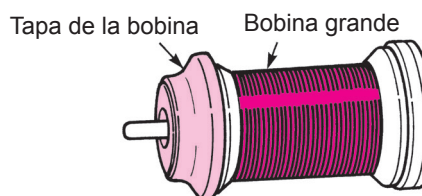
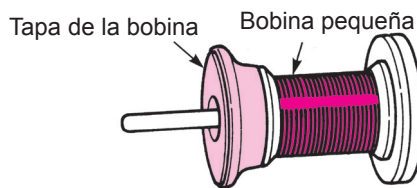


● Extraiga la canilla.

\* Si la canilla tiene muy poco hilo, no la utilice, porque el hilo se enredará.

\* Utilice sólo la canilla designada. Otras canillas pueden provocar anomalías.

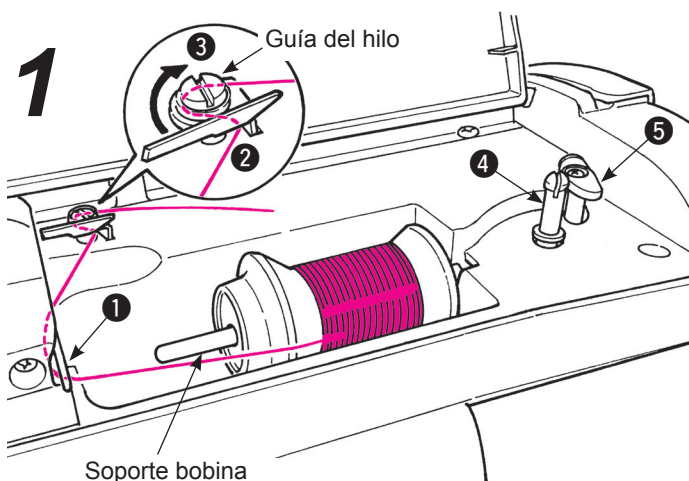
## Ajuste de la bobina de hilo



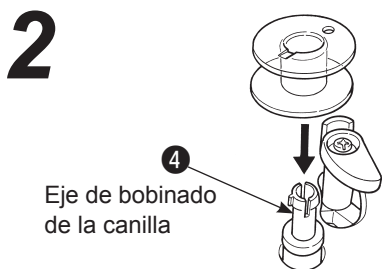
● Coloque una bobina de hilo con su tapa en el soporte de la bobina.

\* No utilice una bobina de hilo con una pequeña cantidad de hilo. Esto puede provocar que se enrede el hilo o que el hilo se salga del ojo de la aguja al empezar a coser.

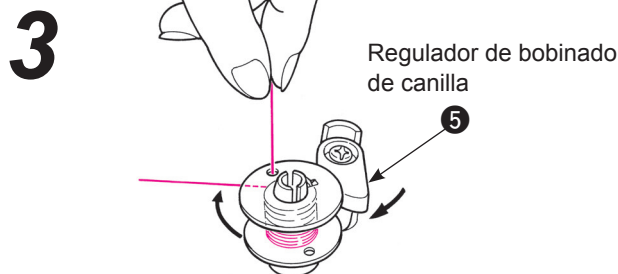
## Bobinado de la canilla



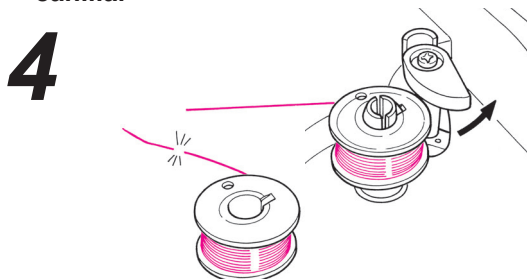
● Guía del hilo ① entonces pasa el hilo por las guías del hilo ② y ③ (guías en el círculo) para bobinar las canillas.



● Coloque la canilla en el eje de bobinado de la canilla ④.



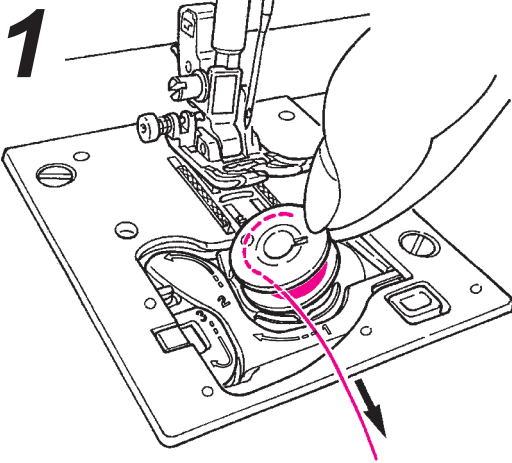
● Desplace el regulador de bobinado ⑤ hacia la canilla. El pulsador Start/Stop ahora estará de color naranja. Cuando se presiona el pulsador Start/Stop la máquina empezará a bobinar la canilla.



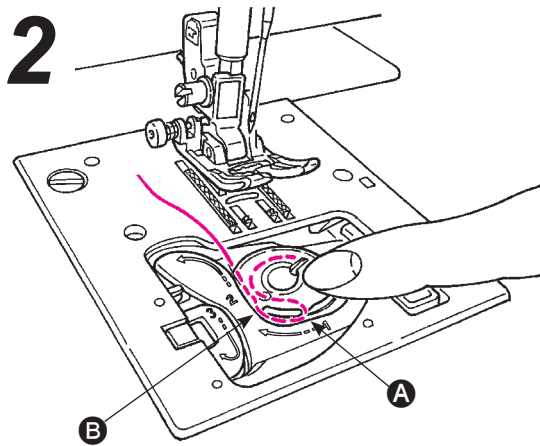
● Cuando el bobinado está acabado, el eje se parará automáticamente, el regulador de bobinado se moverá a la derecha y volverá a la posición de origen. Sacar la canilla del bobinador y cortar el hilo. El bobinador de hilo parará automáticamente una vez bobinada la canilla.

\* Cuando la velocidad del bobinador se reduce debido a la falta de fuerza del motor, esto puede ser causado por un enredo en el hilo.

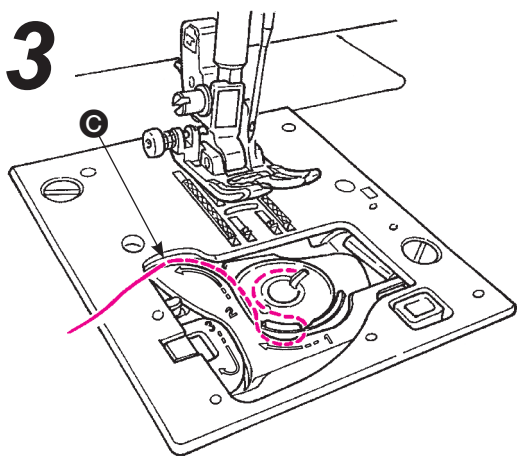
## ■ Ajuste de la canilla



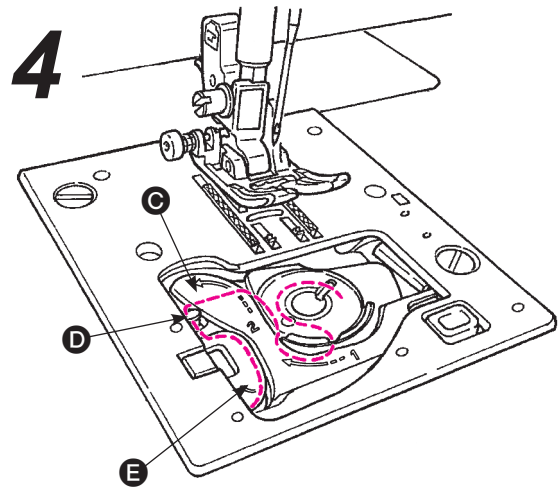
- Coloque la canilla en el receptáculo de la canilla.  
\* Coloque la canilla de modo que el hilo se enrolle en sentido contrario a las agujas del reloj.



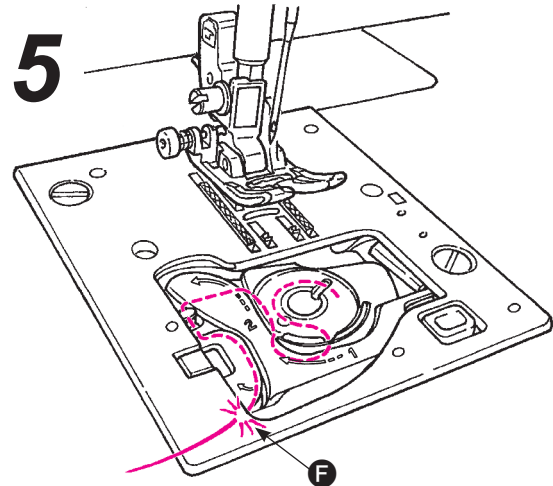
- Enhebre la ranura **A** y **B** tirando del extremo del hilo.  
\* El enhebrado de ranuras se facilitará presionando ligeramente la canilla con el dedo.



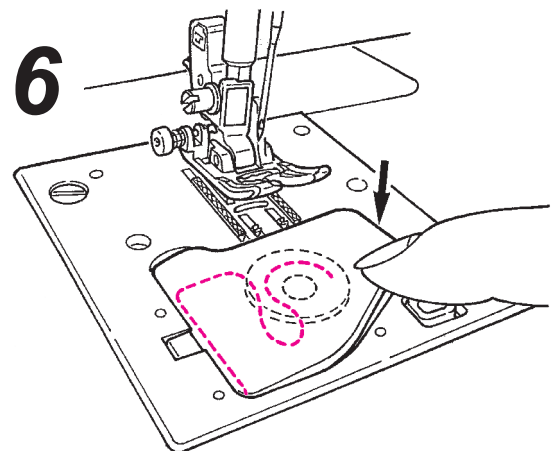
- Enhebre la guía **C** jalando el hilo hacia el lado izquierdo.



- Enhebre la guía **D** y guía **E** y deje el hilo debajo. (Si se enhebra la guía **E** primero, se enhebrará la guía **D** también.)  
\* Cuando se tira del hilo de la canilla, la canilla gira en el sentido contrario a las manecillas del reloj. Si la canilla gira en el sentido de las manecillas del reloj, ponga la canilla cabeza abajo.



- Corte el hilo con el cortador incorporado **F**.



- Cierre la tapa del garfio.

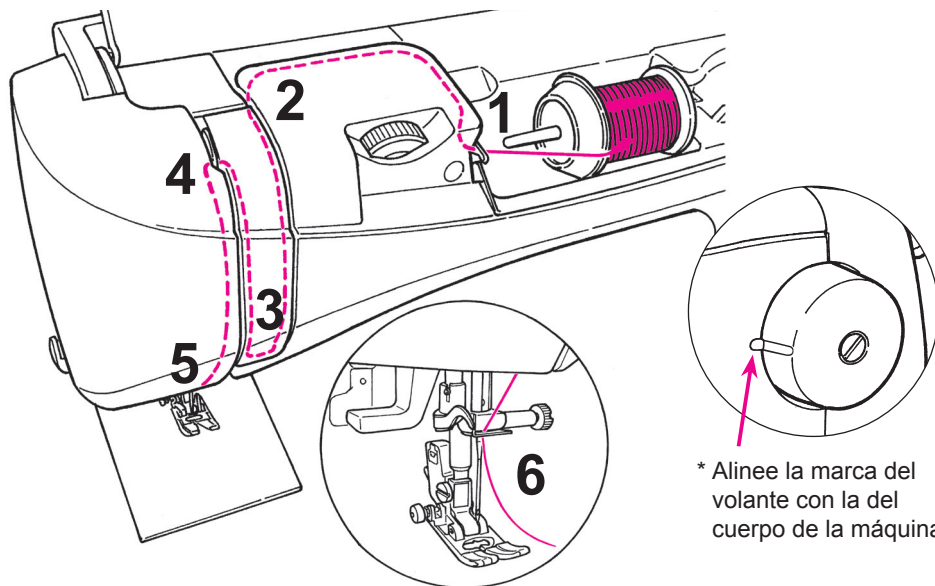
El cosido se puede iniciar en este estado (sin extraer el hilo de la canilla); sin embargo, si desea coser con el hilo de la canilla extraído, consulte "Extracción del hilo de la canilla" en la página 17.



# Preparación del hilo de la aguja

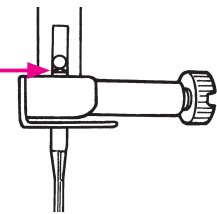
**⚠ Waarschuwing** Apague el interruptor antes de bobinar la canilla

## ■ Enhebrado del hilo de la aguja



**Nota :**

Asegúrese de empujar la aguja hasta el tope superior.

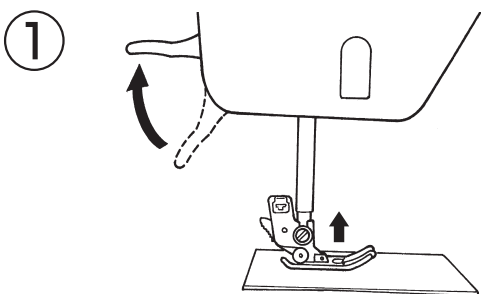


Es imposible coser si la aguja no está correctamente instalada o si se utiliza una aguja torcida. Preste especial atención, porque esto puede provocar anomalías en la máquina.

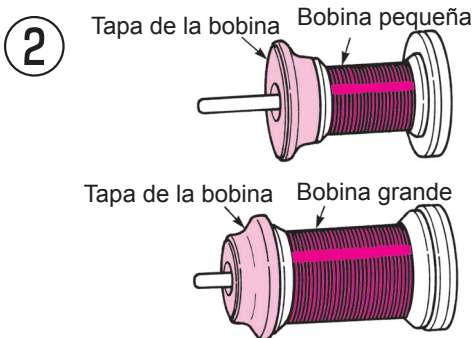
\* Use una aguja del nº 11-16 e hilo del nº 30-90.

\* Cuando se utilice aguja doble, no puede utilizarse el enhebrador automático de agujas.

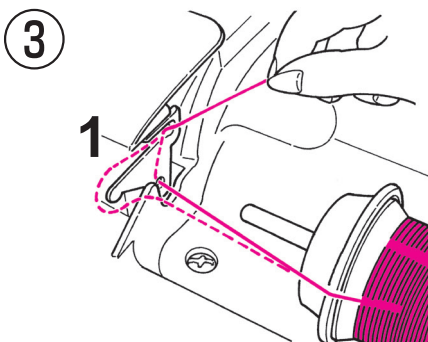
\* Alinee la marca del volante con la del cuerpo de la máquina.



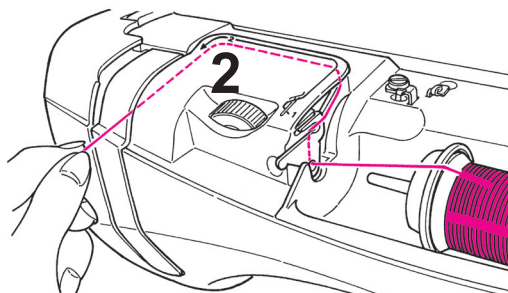
● Levante la palanca de elevación del prensatelas.



● Coloque una bobina de hilo con su tapa en el soporte de la bobina.



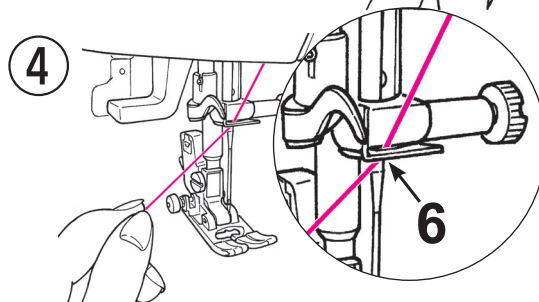
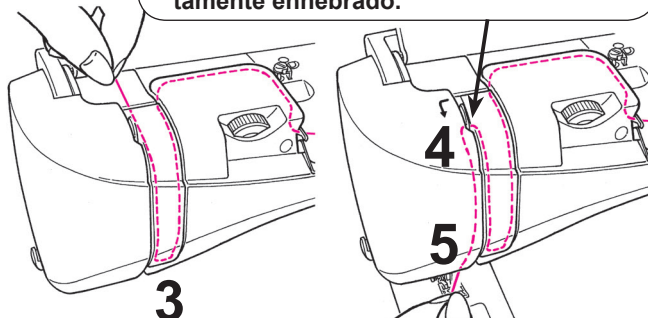
● Pase el hilo por la guía 1.



● Desplace el final del hilo y páselo acorde con la marca de la flecha.

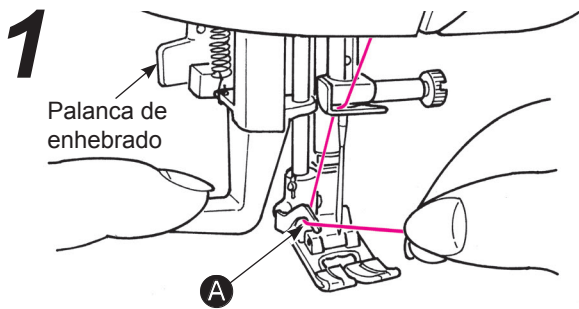
\* Asegúrese de que el prensatelas esté levantado. De lo contrario, la máquina no se enhebrará correctamente.

\* Compruebe que el tirahilos esté correctamente enhebrado.

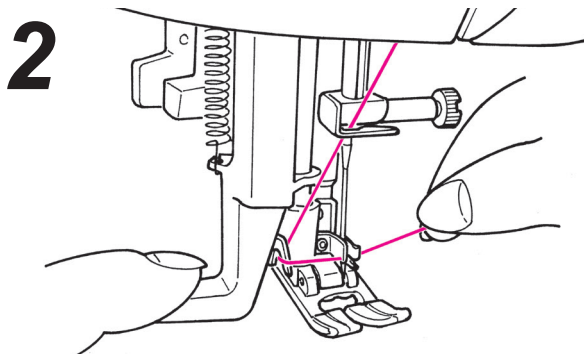


● Pase el hilo por la guía 6 desde el lado derecho.

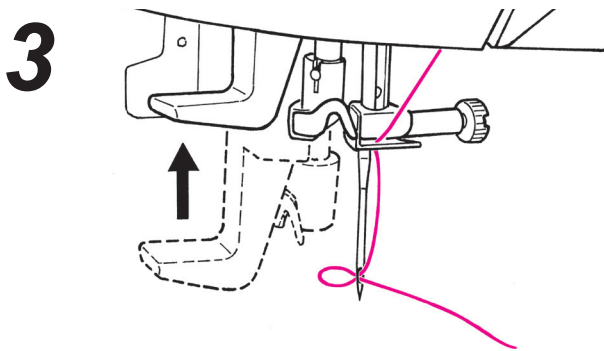
## ■ Enhebrador automático de aguja



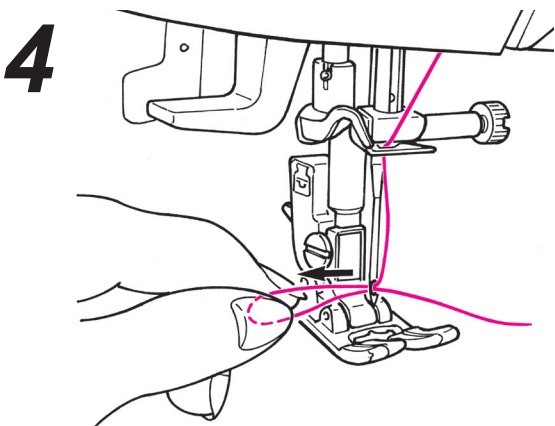
- Baje el prensatelas.
- Sitúe la aguja. Entonces baje el enhebrador medio camino (hasta que empieza a ir más duro) y pase el hilo a **A**.



- Baje el enhebrador hasta el final. Entonces, pase el hilo entre las guías completamente (el enhebrador desplazará el hilo a través del orificio de la aguja)



- Libere la palanca de enhebrado y el hilo de la aguja se enhebrará en el ojo de la aguja.

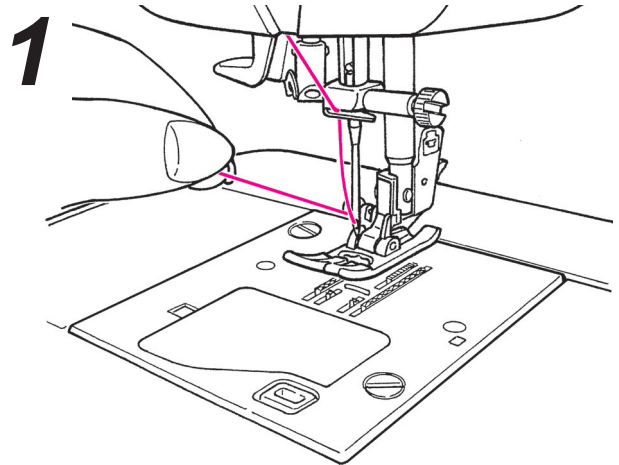


- Tire del hilo hacia atrás.  
Tire del hilo del ojo de la aguja aproximadamente 10 cm (o 4 pulgadas).

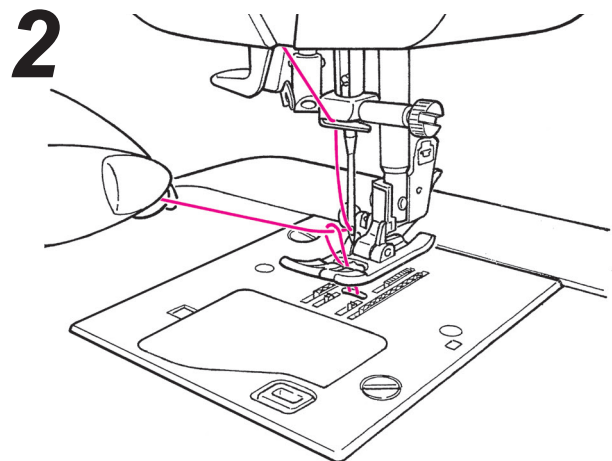
## ■ Subir el hilo de la canilla

### Operación básica:

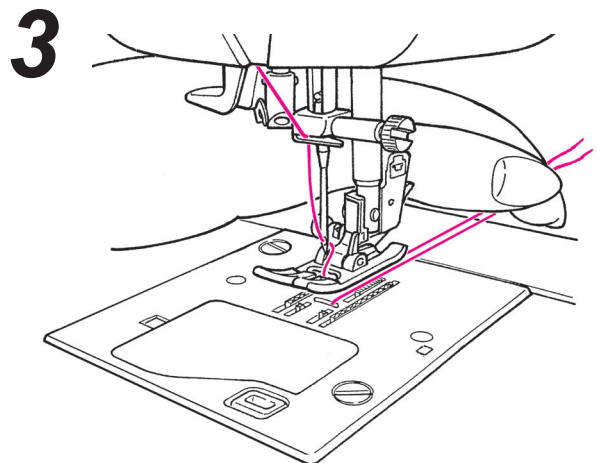
El cosido se puede iniciar sin extraer el hilo de la canilla; sin embargo, si desea coser con el hilo de la canilla extraído, siga las siguientes instrucciones.



- Levante el prensatelas y sostenga suavemente el extremo del hilo de la aguja.



- Gire el volante hacia usted para mover la aguja hacia arriba y hacia abajo. El lazo de hilo de canilla sobresaldrá cuando tire con suavidad del hilo de la aguja.

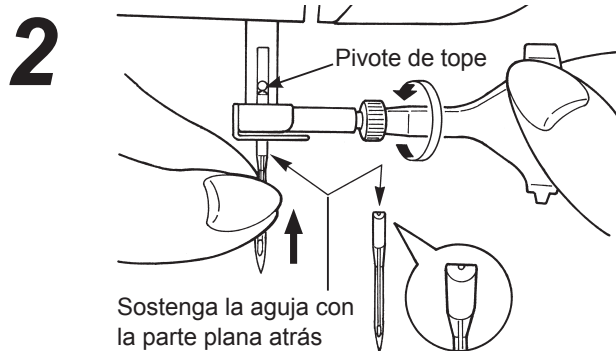
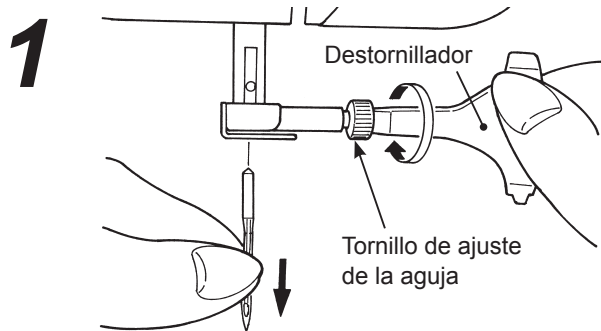


- Tire del hilo de la aguja y del de la canilla aproximadamente unos 10 cm (4 pulgadas) y páselos por debajo del prensatelas hacia la parte posterior de la máquina.



# Colocación de la aguja

**⚠ Aviso** Cuando cambie la aguja, desconecte la alimentación.



## ● Extracción de la aguja

1. Gire el volante hacia usted hasta que la aguja se sitúe en la posición más alta y baje el prensatelas.
2. Gire el tornillo de ajuste de la aguja hacia usted 1 o 2 vueltas y extraiga la aguja.

## ● Colocación de la aguja

**(La aguja no puede insertarse a menos que se coloque correctamente.)**

Sostenga la aguja con la parte plana atrás, e insértela por completo hasta que toque el pivote de tope. Apriete firmemente el tornillo de ajuste de la aguja.

## ■ Agujas que deben adquirirse

Cuando compre agujas de recambio, especifique HA X 1 (130/705H) o HA X 1 SP (aguja para tricotar).



### Tamaño de la aguja:

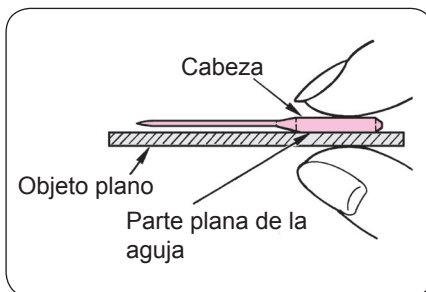
Cuanto mayor sea el número, más gruesa será la aguja.

## ■ Comprobación de la aguja

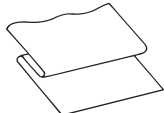

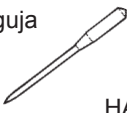
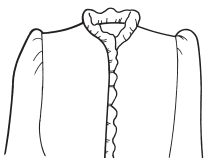


Periódicamente, compruebe si la aguja está recta.

Una aguja torcida puede provocar que se salten puntadas, que se rompa el hilo o se dañen los materiales.

**Atención: La máquina no coserá si la aguja no se inserta correctamente y/o si se usa una aguja torcida. Provocará daños en la máquina.**



# Tabla de tejidos, hilos y agujas

	Tejido 	Hilo 	Aguja  HA×1
<b>Materiales finos</b> 	Lino	Hilo de seda ..... No.80,90	Nº 11
	Crespón	Hilo normal ..... No.80,90	
	Malla tricot	Hilo normal ..... No.60-90	Aguja para punto Nº 11
	Lana y fibra sintética	Hilo de seda ..... No.80 Hilo normal ..... No.60-90	Nº 11-14
<b>Materiales medios</b> 	Algodón y fibra sintética	Hilo normal ..... No.50, 60	Nº 11-14
	Punto fino	Hilo de seda ..... No.50 Hilo normal ..... No.50, 60	Aguja para punto Nº 11
	Lana normal y fibra sintética	Hilo de seda ..... No.50 Hilo normal ..... No.50, 60	Nº 11-14
<b>Materiales gruesos</b> 	Tejano	Hilo normal ..... No.30-50	Nº 14-16
	Punto	Hilo de seda ..... No.50 Hilo normal ..... No.50, 60	Aguja para punto Nº 11-14
	Paño	Hilo de seda ..... No.50	Nº 11-14

\* En general, el mismo hilo se utiliza tanto para la aguja como para la canilla.

\* Se utilizará un hilo y una aguja finos para tejidos finos y un hilo y una aguja gruesos para materiales gruesos.

\* Compruebe que la combinación de hilo y aguja sea correcta. Para ello, realice pruebas en el material que coserá.

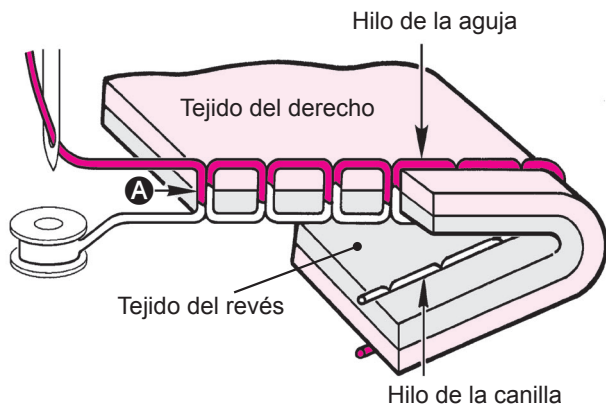
\* La aguja de punto es adecuada para tejidos elásticos (como el punto) y tejidos sintéticos.

\* Utilice el hilo Nº 30 - 90.

\* Cuando sea difícil pasar por una sección superpuesta, guíe el tejido con la mano.

\* Cuando cosa puntadas decorativas o letras (páginas 21), utilice la aguja de punto para un acabado óptimo.

## Ajuste de la tensión del hilo



### ■ Tensión del hilo equilibrada

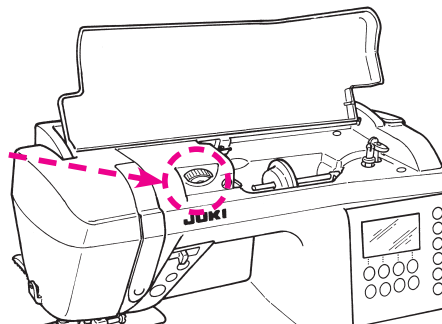
Pespunte recto: los hilos de la aguja y de la canilla se entrelazan en la mitad del grosor del tejido. (A)

Puntada en zig zag: el hilo de la aguja entra un poco más en el revés del tejido.

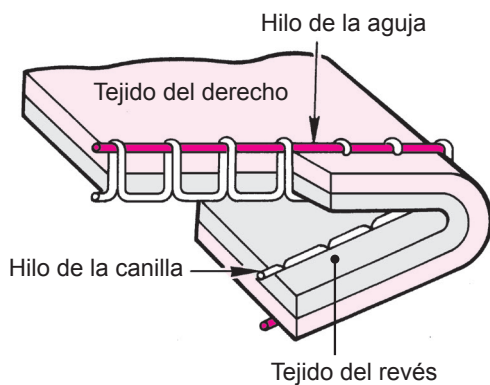
La máquina programada en "4" es para la mayoría de telas.

No obstante puede ser necesario un ajuste de acuerdo con el tejido y las aplicaciones de costura.

Si la tensión no se ajusta correctamente, se desequilibrará la forma de la puntada, se generarán fruncidos o se romperá el hilo.

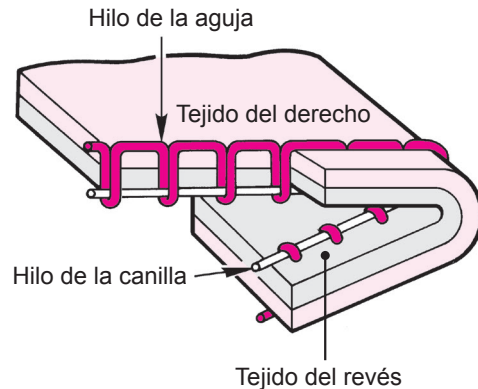


ESPAÑOL



### ■ Cuando el hilo de la aguja está demasiado tenso:

El hilo de la canilla se dirigirá hacia el lado del derecho del tejido. Gire el dial de ajuste de la tensión del hilo para escoger un número inferior.

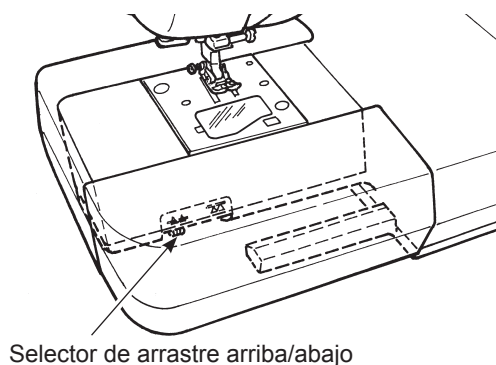


### ■ Cuando el hilo de la aguja está poco tenso:

El hilo de la aguja se dirigirá hacia el lado del revés del tejido. Gire el dial de ajuste de la tensión del hilo para escoger un número superior.

En caso de que no se obtenga un ajuste de tensión correcto, compruebe el enhebrado de los hilos de la aguja y de la canilla.

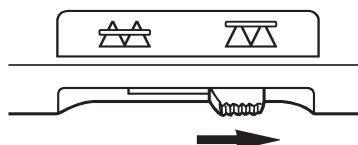
## Descenso de los dientes



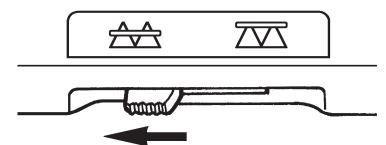
- Mueva el selector de arrastre arriba/abajo hacia la derecha, en caso de que los dientes estén en posición bajada, para permitir el libre movimiento para acolchar, coser botones, etc.

\* Mueva el selector de arrastre arriba/abajo hacia la izquierda después de coser. Los dientes se engranarán automáticamente cuando la máquina vuelva a coser.

### ★ Bajar los dientes



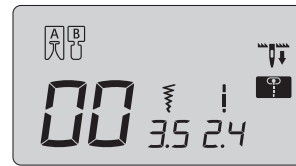
### ★ Subir los dientes



# Selección de un patrón de costura

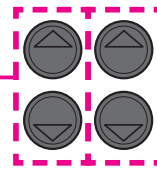
- ☆ Existen 180 tipos de patrones de costura.
- ☆ Cuando encienda la máquina, se seleccionará automáticamente el pespunte recto con la aguja en posición central.
- ☆ Hay 3 métodos para escoger la puntada.

En el panel LCD usted visualizará el número de la puntada seleccionada y se le marcará el prensatelas aconsejado.





Número de la puntada en decenas











Número de la puntada en unidades
















Botón de selección de patrón

## 1 Patrones prácticos

Escoja  la selección de puntadas con el selector de modos  y entonces escoja el número de puntada a través del selector.

Núm. patrón	00	01	02	03	04	05	06	07	08	09
Patrón										
Aplicación	Posición central aguja Pespunte recto	Posición izquierda aguja	Pespunte recto para materiales elásticos	Puntada en zigzag	Puntada en zigzag de 2 puntos	Aplicaciones	Puntada de sobrehilado	Puntada invisible	Pespunte recto reforzado	Buttonhole
Vea la pág.	22	26	26	27	27	40	27	28	26	30

Núm. patrón	10	11	12	13	14	15	16	17	18	19	20	21	22
Patrón													
Aplicación	Posición central aguja Puntada de seguridad (filia)	Posición izquierda aguja	Posición derecha aguja	Puntada en zigzag de 2 puntos	Puntada de sobrehilado	Puntada de sobrehilado para material fino	Puntada de sobrehilado para material flexible	Patrón ornamental	Puntada invisible para material fino	Puntada de lencería	Presillado	Ojal	Zurcido
Vea la pág.	26	26	-	-	27	27	-	-	28	-	34	-	-

• Patrones de ojales

Núm. patrón	23	24	25	26	27	28	29
Patrón							
Aplicación	Extremo redondeado	Ojales de herradura	Extremo redondeado	Para punto		Decorativos	
Vea la pág.	30						

• Patrones de acolchado

Núm. patrón	30	31	32	33	34	35	36	37	38	39
Patrón										
Aplicación	Patrones de acolchado									
Vea la pág.	39									

2 Puntadas decorativas y una puntada de punto

Escoja la selección de puntadas con el selector de modos , y entonces escoja el número de puntada a través del selector.


Aplicación	
Vea la pág.	41-43

3 Letras

Escoja la selección de puntadas con el selector de modos , y entonces escoja el número de puntada a través del selector.

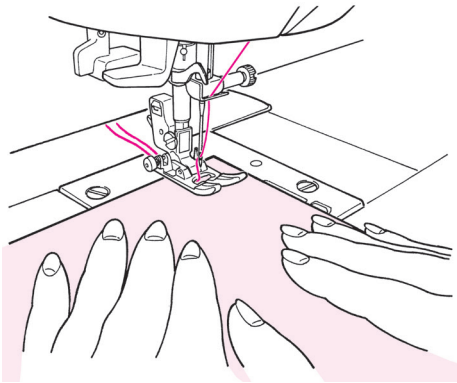
Aplicación	<p>00 01 02 03 04 05 06 07 08 09 10 11 12 13 14 15 16 17 18 19 20 21 22 23 24 25  A B C D E F G H I J K L M N O P Q R S T U V W X Y Z</p> <p>26 27 28 29 30 31 32 33 34 35 36 37 38 39 40 41 42 43 44 45 46 47 48 49 50 51  a b c d e f g h i j k l m n o p q r s t u v w x y z</p> <p>52 53 54 55 56 57 58 59 60 61 62 63 64 65 66 67 68 69 70 71 72 73 74 75  1 2 3 4 5 6 7 8 9 0 @ ! ? &amp; ☐ ☐ ☐ ☐ ☐ ☐ ☐ ☐ / : ;</p> <p>76 77 78 79 80 81 82 83 84 85 86 87 88 89 90 91 92 93 94 95 96 97 98 99  À Á Â ã ä å è é ê ë Ç œ ç ì Ñ ñ Ò ø ò ö ø Ù ù ü</p>
Vea la pág.	41-43

## Pespunte recto

	Nº de patrón	Práctico 00
	Prensateles	Prensateles estándar (A)
	Tensión del hilo	Auto

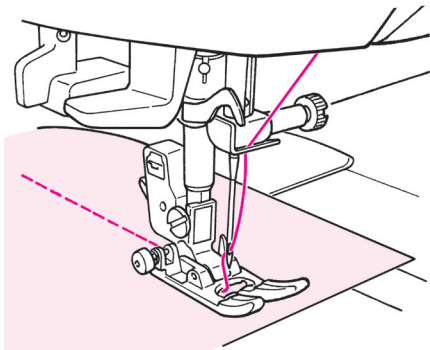
### ⚠ Atención

Apague la máquina antes de sustituir el prensateles.



### ■ Inicio del cosido

Coloque los hilos de la aguja y la canilla bajo el prensateles hacia la parte posterior de la máquina y baje el prensateles para empezar a coser.



### ■ Finalización del cosido

Pare de coser y pulse el botón de cortar hilos para cortar los hilos.

#### G220

<Mediante el botón de cortar hilos>

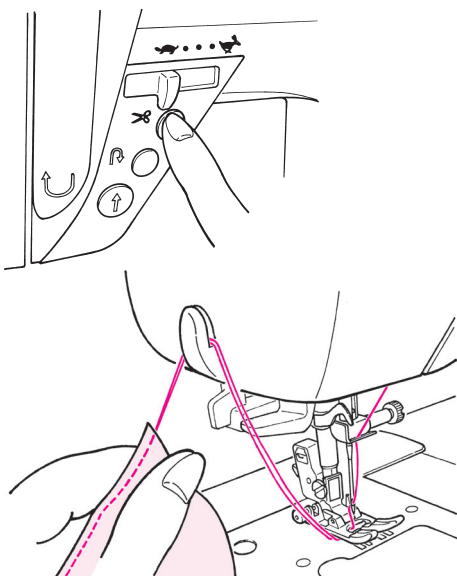
Pulse el botón de cortar hilos para cortar los hilos.

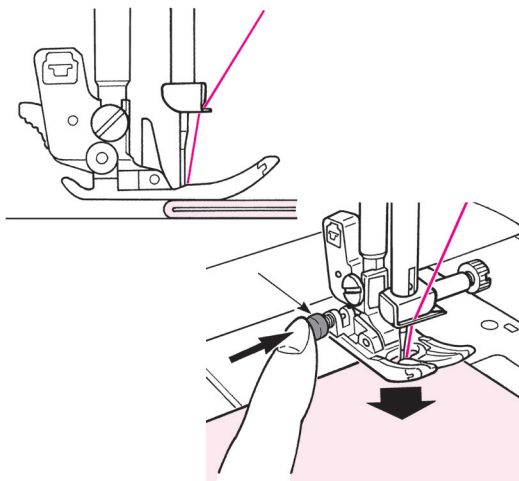
#### G220

#### G120

<Cortador de hilo en la cubierta>

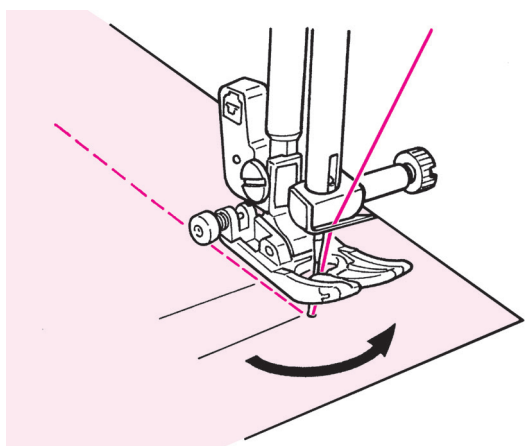
También puede cortar los hilos mediante el cortahilos situado en la cubierta frontal.





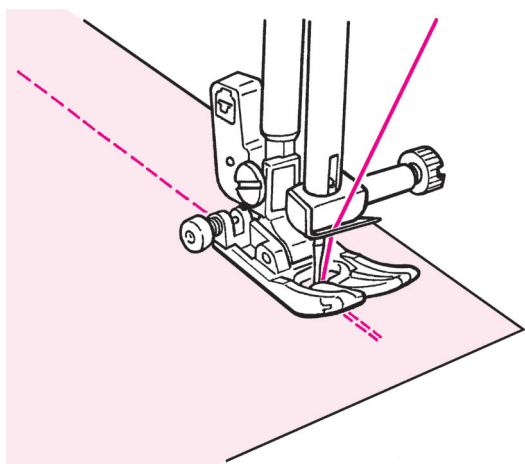
### ■ Coser el borde de tejidos gruesos

Gire el volante y deje que la aguja entre en posición de inicio de costura. Pulse el botón negro con el dedo y baje el prensatelas. Deje de pulsar el botón negro y empiece a coser. Cuando el prensatelas esté completamente sobre el tejido, el botón negro se desactivará automáticamente.



### ■ Cambiar la dirección de cosido

Pare de coser delante de la posición predeterminada y continúe cosiendo, puntada a puntada, utilizando el botón de subir/bajar la aguja hasta llegar al punto deseado. Deje la aguja dentro del tejido y eleve el prensatelas. Con la aguja dentro del tejido, cambie la dirección de cosido, baje el prensatelas y reanude el cosido.



### ■ Puntada de seguridad tras finalizar el cosido

<Si se utiliza el botón de macha/paro>

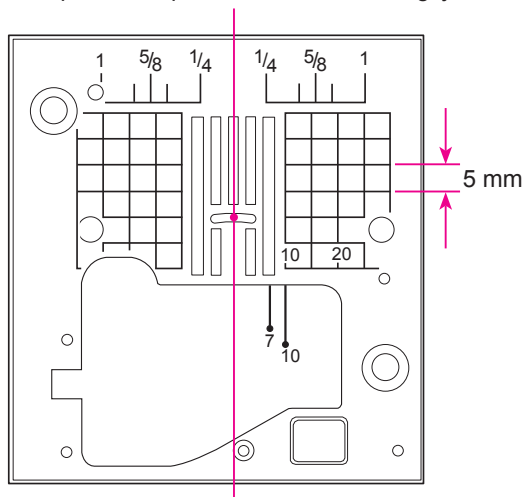
Después de acabar de coser, pulse el botón de puntada de remate. Mientras lo mantenga pulsado, la máquina coserá en sentido inverso, y cuando se suelte, la máquina parará de coser en sentido inverso.

\* Cuando se remata la puntada, la velocidad de cosido es baja.

<Si se utiliza el pedal>

La máquina coserá en sentido inverso casi a la misma velocidad que en sentido normal. Cuando suelte el botón de puntada de remate se suelte, la máquina volverá a coser hacia delante.

Respecto a la posición central de la aguja



### ★ Guía de costura en la placa aguja

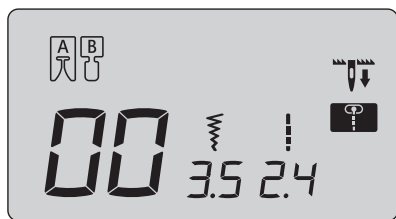
Alinee el borde del tejido con una línea de guía de costura y cosa.

\* Los números en la línea de guía muestran la distancia en mm y pulgadas entre la posición central de la aguja y la línea de guía.

Los números 7, 10 y 20 corresponden a milímetros.


Los números 1/4, 5/8 y 1 corresponden a pulgadas.


## ★ Cambiar la posición de la aguja / Cambiar la longitud de la puntada

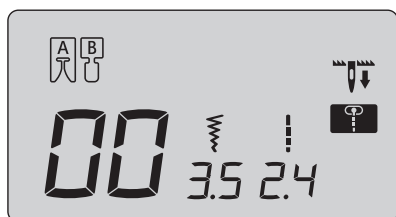
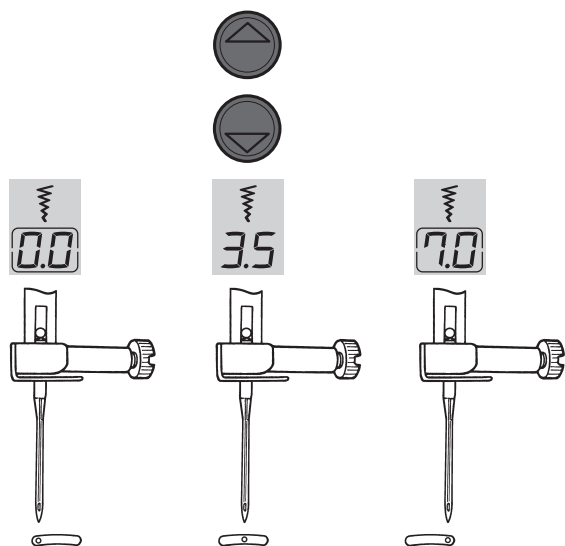


### ■ Cambiar la posición de la aguja en pespunte recto

Es posible cambiar la posición de la aguja con el pulsador de ajuste del ancho de zigzag.


Al pulsar “”, la aguja se mueve a la izquierda.


Al pulsar “”, la aguja se mueve a la derecha.

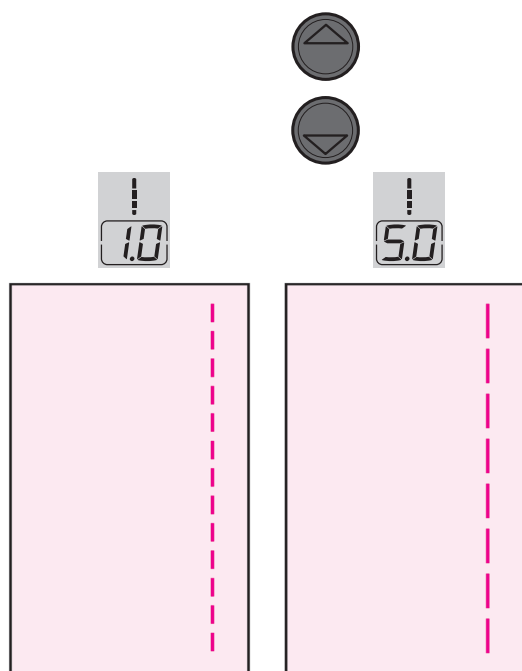


### ■ Cambiar la longitud de la puntada

Es posible cambiar la longitud de puntada ajustando este pulsador.

Al pulsar “”, el valor mostrado disminuye y la longitud de la puntada se reduce en consecuencia.



Al pulsar “”, el valor mostrado se incrementa y la longitud de la puntada aumenta.



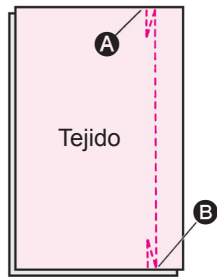


**G220**



★ **Puntada de seguridad automática y corte de los hilos**

Tras elegir un patrón de puntada, pulse **U>8**  una vez. La máquina realizará unas cuantas puntadas de remate (puntadas de seguridad), cortará los hilos de la aguja y la canilla y se parará. Símbolo en pantalla: **U>8**  
Pulse **U>8**  de nuevo para cancelar esta función.

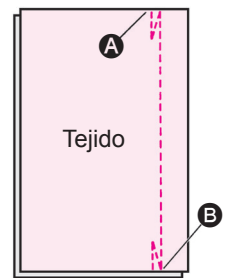
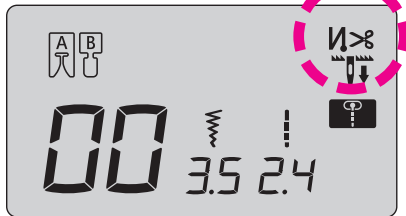
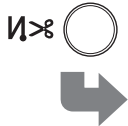
Ejemplo: pespunte recto


**G120**

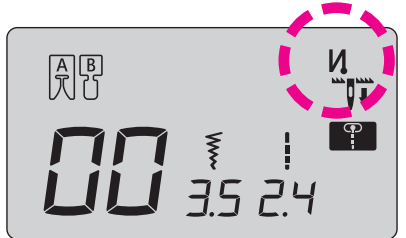
★ **Rematado automático**


Tras elegir un patrón de puntada, pulse **U**  una vez. La máquina coserá unas pocas puntadas (rematando) y se parará. Símbolo en pantalla: **U**  
Pulse **U**  de nuevo para cancelar esta función.

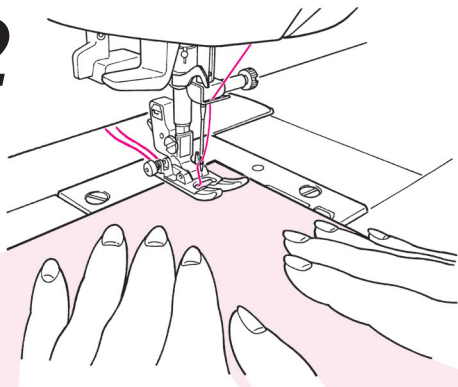
Ejemplo: pespunte recto

**1****G220**

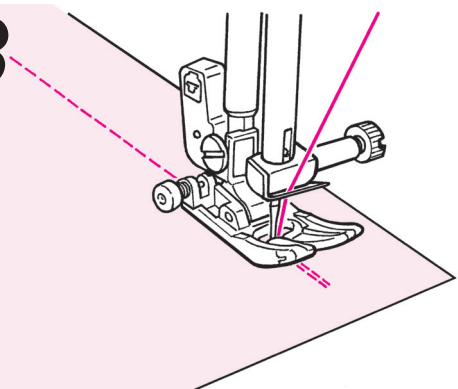
- Después de seleccionar un patrón, puede pulsar **U>8**  para ver **U>8** en pantalla.

**G120**

- Después de seleccionar un patrón, puede pulsar **U**  para ver **U** en pantalla.

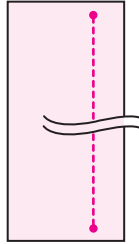
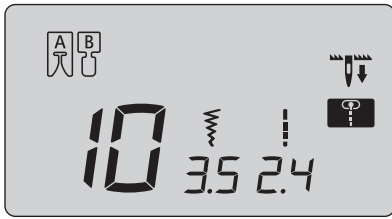
**2**

- Coloque el tejido en posición de inicio de cosido y empiece a coser. **A**  
La máquina coserá unas puntadas de remate y continuará.

**3**

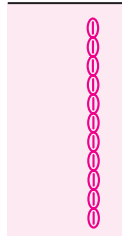
- Pulse el botón de puntada de remate. **B**  
La máquina hará unas puntadas en sentido inverso, parará de coser y cortará los hilos de la aguja y la canilla automáticamente.

## ★ Otros patrones de pespunte recto



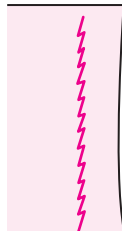
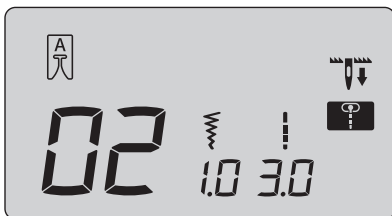
### ■ Puntadas de seguridad (fijas)

La finalizar la costura pulsa el botón de puntada de remate. La máquina seguirá cosiendo un par de puntadas y se parará.



### ■ Puntada de refuerzo elástica

La puntada de refuerzo elástica ayuda a reforzar las costuras y se utiliza para coser tejido elástico o la parte del tejido sometida a tensión que tiene probabilidades de deshilacharse.



### ■ Pespunte recto para tejido elástico

Las costuras acabadas son elásticas. Este sistema de pespunte puede utilizarse para realizar puntadas rectas en tejidos elásticos como el punto.

## Puntada en zig zag

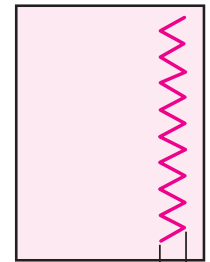
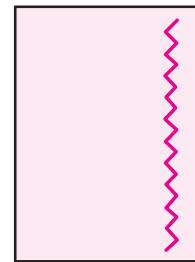
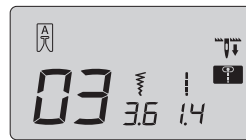


Nº de patrón	Práctico 03
Prensate- telas	Prensate- telas estándar (A)



**Atención**

Apague la máquina antes de sustituir el prensate-  
telas.



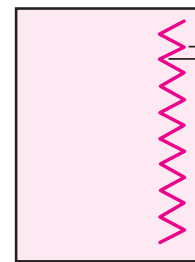
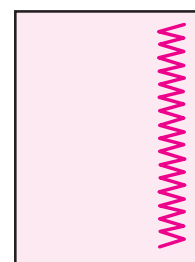
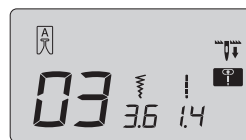
Ancho

### ■ Cambiar la anchura de zigzag

Puede cambiar la anchura de zigzag mientras cose.

Al pulsar “◀”, el valor mostrado disminuye y la anchura de zigzag se reduce en consecuencia.

Al pulsar “▶”, el valor mostrado se incrementa y la anchura zigzag aumenta en consecuencia.



Largo

### ■ Cambiar la longitud de la puntada

Puede ajustar la longitud de la puntada mientras cose.

Al pulsar “◀”, el valor mostrado disminuye y la longitud de la puntada se reduce en consecuencia.

Al pulsar “▶”, el valor mostrado se incrementa y la longitud de la puntada aumenta en consecuencia.


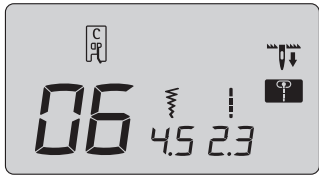
# Sobrehilado

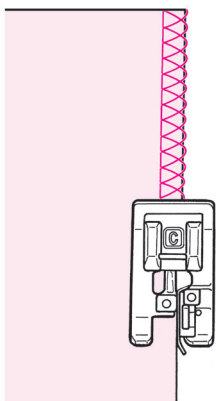
**⚠ Atención**

Apague la máquina antes de sustituir el prensatelas.

Esta costura se utiliza para evitar que el tejido se deshilache.


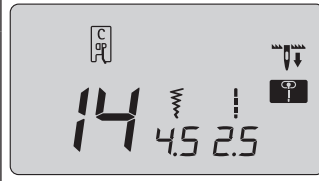
## ■ Puntada de sobrehilado 1

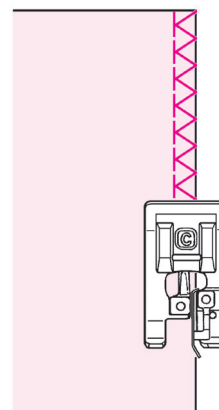
 	Nº de patrón	Práctico 06
	Prensateles	Prensateles de sobrehilado (C)



- Presione el tejido contra la guía y cosa. Si el tejido y la guía están separados, no se obtendrá una costura con un buen aspecto. Asegúrese de acompañar el tejido a lo largo de la guía y de coser lentamente.
- \* Antes de coser, asegúrese de que la aguja no golpee el prensatelas.


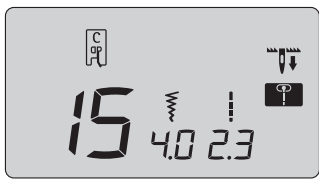
## ■ Puntada de sobrehilado 2

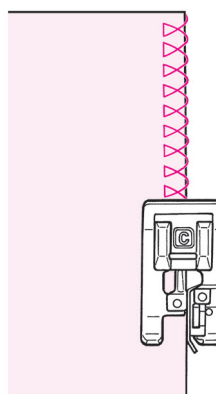
 	Nº de patrón	Práctico 14
	Prensateles	Prensateles de sobrehilado (C)



- Esta puntada se utiliza para sobrehilado materiales medios y gruesos. Acompañe el tejido a lo largo de la guía y cosa.
- \* Antes de coser, asegúrese de que la aguja no golpee el prensatelas.



## ■ Puntada de sobrehilado 3

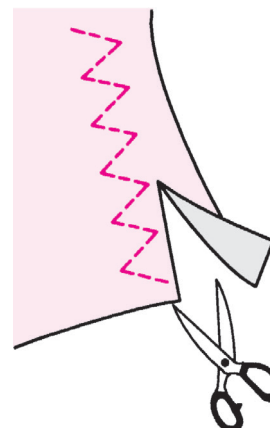
 	Nº de patrón	Práctico 15 (fino)
	Prensateles	Prensateles de sobrehilado (C)



- Esta puntada de sobrehilado se utiliza para sobrehilado materiales finos. Acompañe el tejido a lo largo de la guía y cosa.
- \* Antes de coser, asegúrese de que la aguja no golpeará el prensatelas.

## ■ Sobrehilado con zigzag de 3 puntos



 	Nº de patrón	Práctico 04
	Prensateles	Prensateles estándar (A)



\* **No utilice el prensateles de sobrehilado (C).**

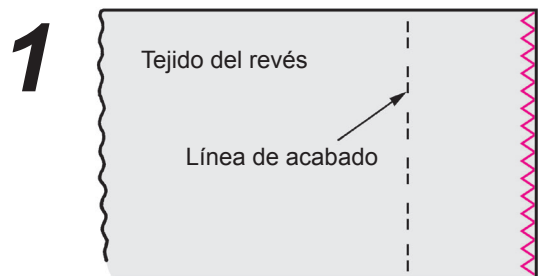
- Esta puntada se utiliza para evitar que se deshilache el borde cortado del tejido. Deje margen para la costura y corte el tejido cosido con cuidado para no cortar las puntadas con las tijeras.

# Puntada invisible

 	Nº de patrón	Práctico 07, 18 (material fino)
	Prensateles	Prensateles para puntada invisible (D)

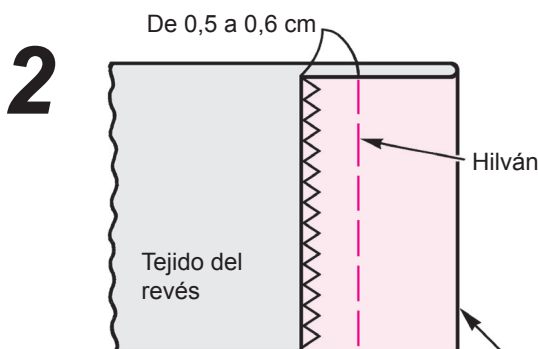
**⚠ Atención** Apague la máquina antes de sustituir el prensateles.

## ■ Doblado del tejido

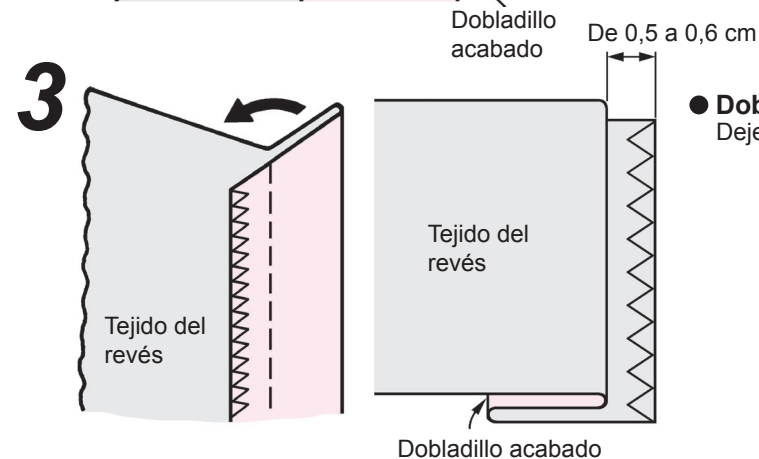


● **Coser puntadas de sobrehilado en el borde del tejido.**

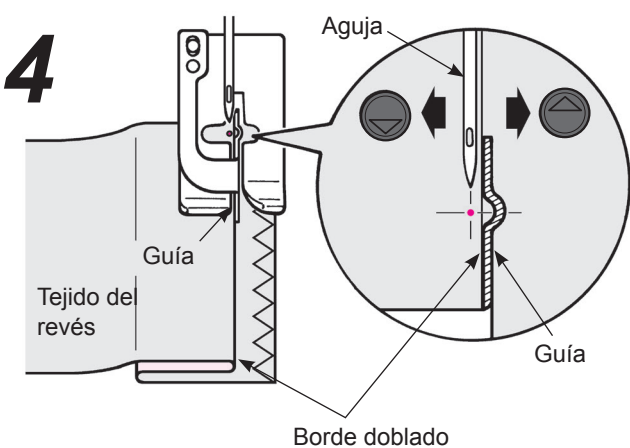
- Consulte la página 27 para saber más sobre las puntadas de sobrehilado.



● **Hilvanado.**



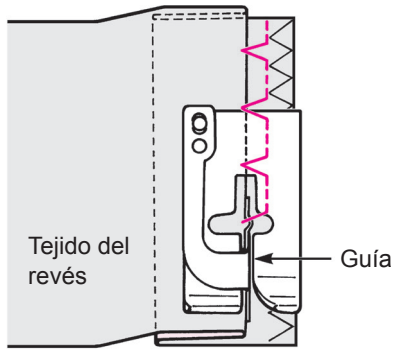
● **Doblado desde el hilván.**  
Deje de 0,5 a 0,6 cm.



● **Alinee la guía del prensateles con el borde doblado. Gire el volante y realice el ajuste con el selector de ajuste de anchura de zigzag, de modo que las puntadas lleguen al borde doblado.**

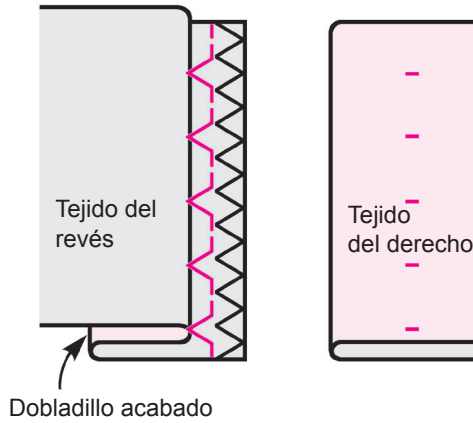
\* Preste atención a que la aguja no golpee el prensateles.

5



● Coloque el borde doblado contra la guía y cosa.

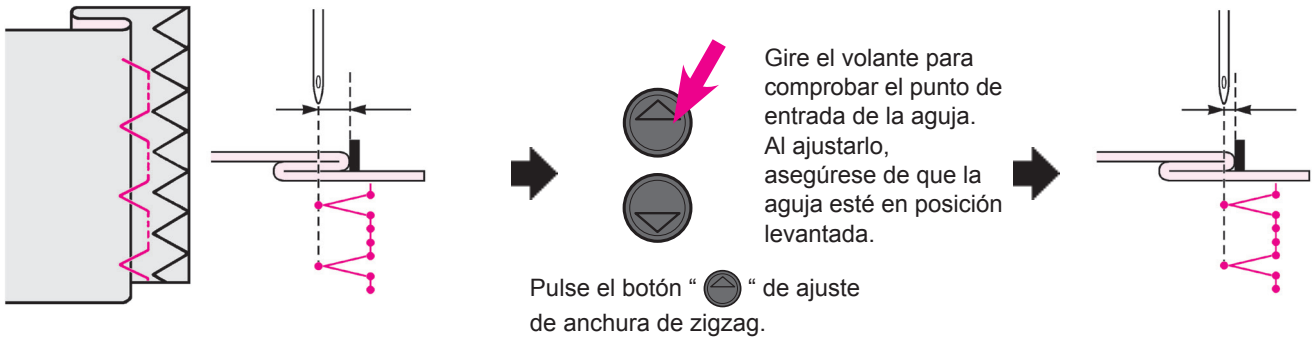
6



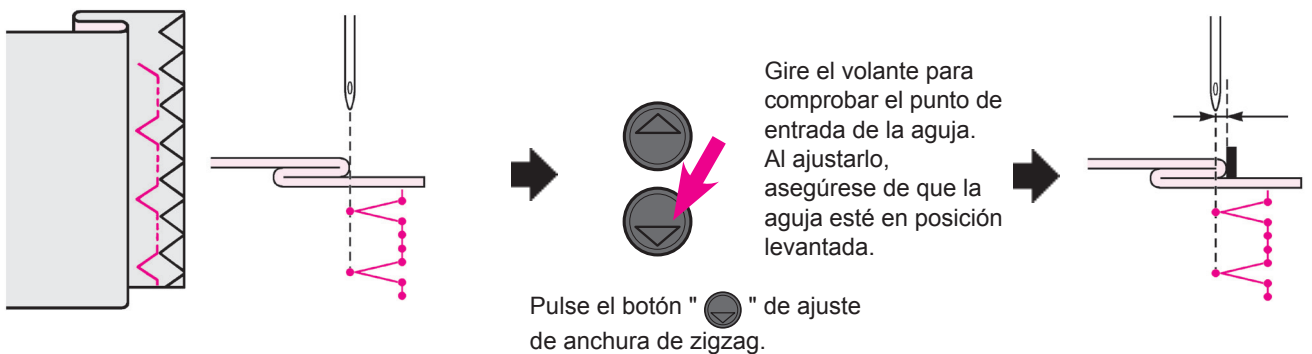
● Después de coser, dé la vuelta al tejido.

## ■ Cambiar el punto de entrada de la aguja


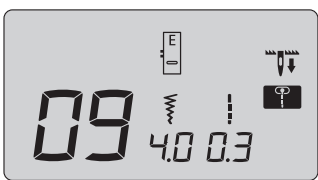
### 1. Si las puntadas sobrepasan demasiado el borde doblado



### 2. Si las puntadas no llegan al borde doblado











# Puntadas de ojales

 	Nº de patrón	Práctico 09, 23~29
	Prensateles	Prensateles de ojales (E)

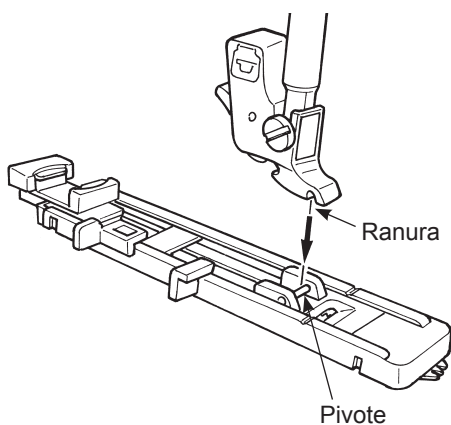
**Atención** Apague la máquina antes de sustituir el prensateles.

- \* La longitud del ojal se determina automáticamente con tan sólo colocar un botón en el prensateles para ojales.
- \* La máquina puede coser ojales para botones con diámetros de 0,7 a 2,6 cm.
- \* En caso de tejidos elásticos, utilice una entretela no elástica en el revés del tejido.
- \* Asegúrese de coser una prueba para comprobar que la máquina coserá los ojales correctamente.
- \* Puntadas Prácticas 26, 27 son para tejido de punto y deben utilizarse con una aguja de punto.

## Tipo de ojal

09		Ojales estándar	Ojal para material medio y grueso Ojal estándar	26		Para punto	Ojal para punto fino (también se utiliza como ojal decorativo)
23		Redondeados	Ojales para blusas y prendas infantiles. También indicado para materiales finos	27			Ojal para punto fino (también se utiliza como ojal decorativo)
25				28		Decorativos	Ojales decorativos Ojal decorativo que parece cosido a mano
24		De herradura	Ojal de herradura para materiales gruesos como trajes, chaquetas, abrigos, etc.	29			

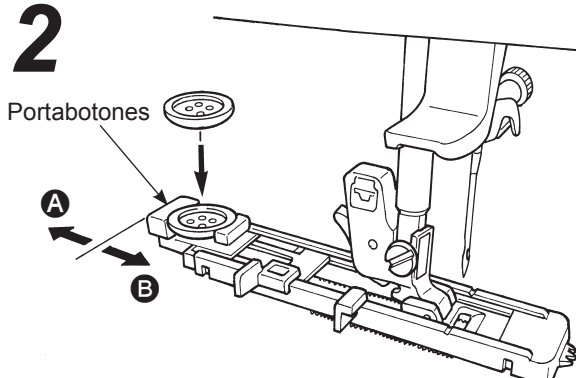
1



### ● Coloque el prensateles.

Pulse el botón de subir/bajar aguja para subir la aguja y levantar el prensateles.  
Alinee la ranura del soporte del prensateles con el pivote del prensateles y baje el soporte del prensateles para ajustarlo.

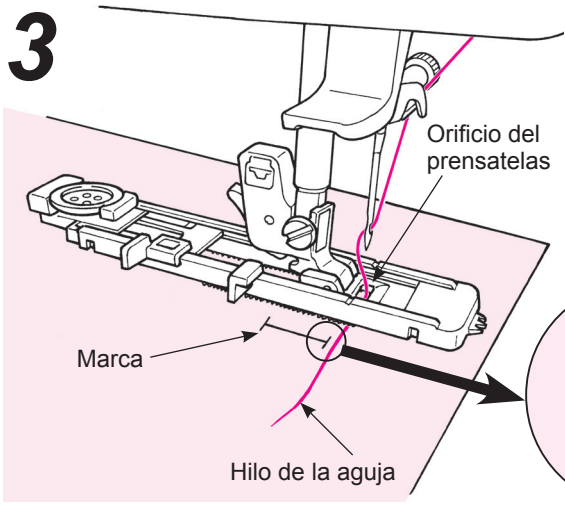
2



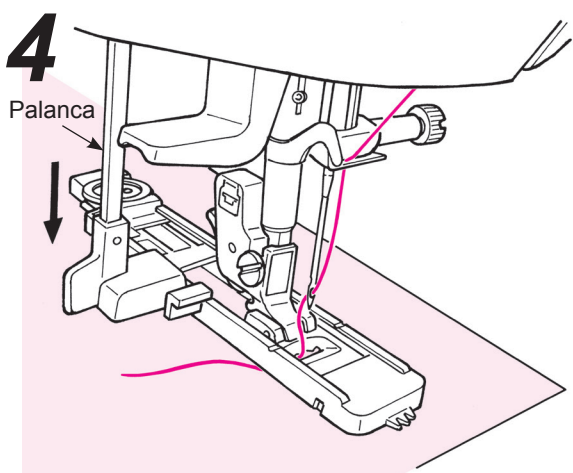
### ● Coloque el botón.

Tire del portabotones hacia **A**, coloque el botón en el portabotones, y presione el portabotones hacia **B** delante para ajustar la longitud del ojal.

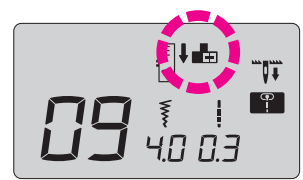
\* Es imposible ajustar un botón con grosor superior a 4 mm.



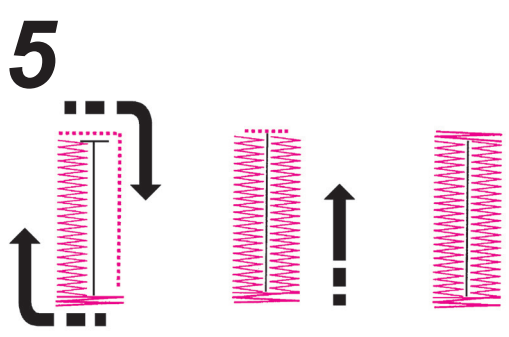
● **Coloque el tejido bajo el prensatelas.**  
 Suba el prensatelas, pase el hilo de la aguja por el orificio del prensatelas y tire de él hacia un lado.  
 Coloque el tejido bajo el prensatelas y alinee la marca con el punto de inicio de costura. Introduzca la aguja en el tejido girando el volante y baje el prensatelas.



● **Bajar la palanca hasta que llegue al final.**  
 La palanca debe estar por la parte posterior del prensatelas.

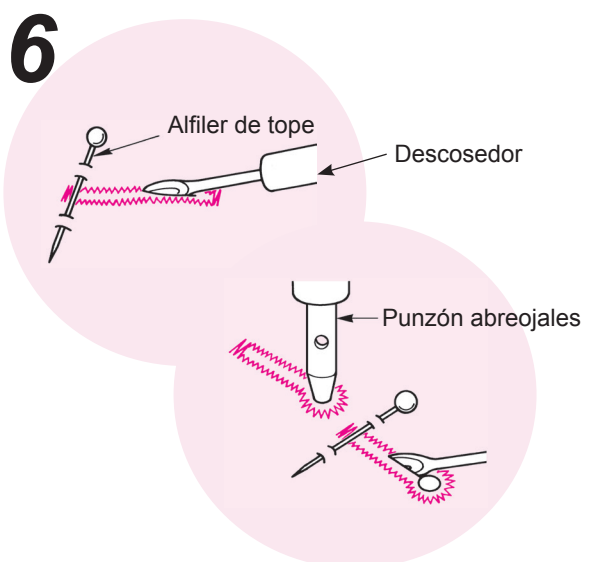


\* El icono de la pantalla desaparece cuando la palanca esta puesta correctamente.



Empiece aquí


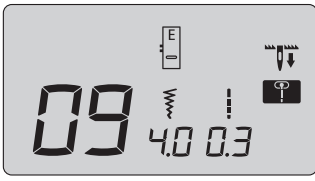
● **Empiece a coser.**  
 La máquina se detendrá automáticamente tras coser el ojal.  
 \* Si deseamos coser un ojal del mismo tamaño que el anterior, presione el pulsador del cortahilos para cortar el hilo y levante el prensatelas.  
 En esta situación, pase a otro punto, baje el prensatelas y empiece a coser.  
 \* No cambie la longitud de la puntada ni la anchura de zigzag cuando cosa ojales. De lo contrario, esto causará puntadas irregulares.  
 \* Si se pulsa el botón de cortar hilos mientras cose un ojal, la máquina se detendrá y no terminará de coser el ojal. Empezará a coser desde el inicio.  
 \* En función del material que deba coserse y de la dirección de costura del material, puede haber una pequeña diferencia en los anchos de zigzag entre las líneas izquierda y derecha de los ojales. Se recomienda coser un ojal de prueba.



● **Abra el ojal con la ayuda de un descosedor.**  
**[Doble presillado]**  
 Coloque un alfiler de tope en la presilla y abra el ojal con un descosedor.  
 Procure no cortar las puntadas.  
**[Ojal de herradura]**  
 Coloque un cartón debajo del ojal y realice un orificio con el punzón abreojales.  
 A continuación, coloque un alfiler de tope en la presilla y abra el ojal con un descosedor.



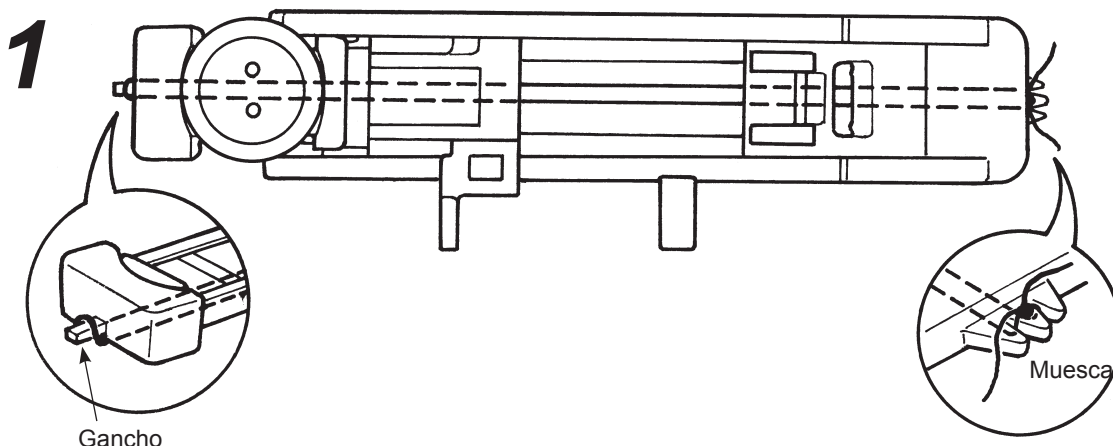
## ■ Ojal con refuerzo

 	Nº de patrón	Práctico 09
	Prensateles	Prensateles de ojales (E)

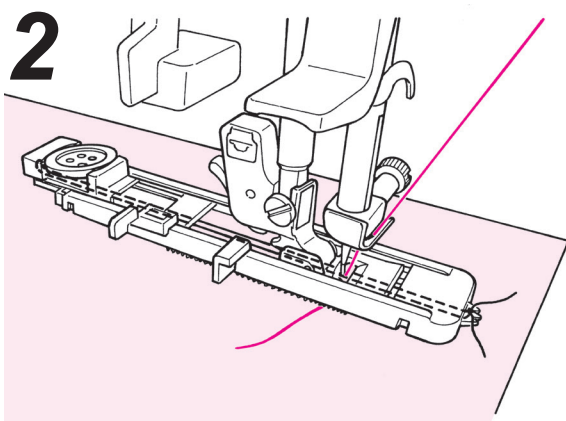
### ⚠ Atención

Apague la máquina antes de sustituir el prensateles.

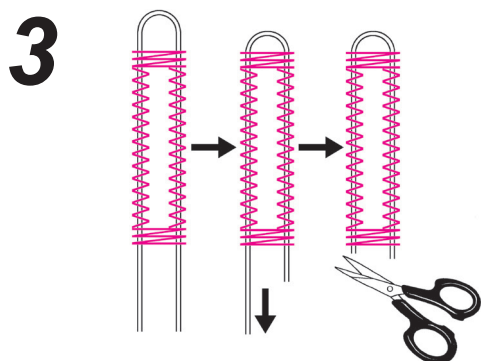
Los ojales para tejanos evitan que los ojales se estiren y pueden hacer que sean más seguros. Utilice el mismo hilo en ojales cosidos a mano y uno similar para el hilo del ribete.



- Pase el hilo de la aguja debajo del prensateles y dirija el hilo a un lado del prensateles.
- Situar una extremo del hilo de refuerzo en el seguro del fronta del lado derecho del prensateles de ojales, tira del hilo por debajo del prensateles haciendo como un bucle y sujétalo en el gancho del prensateles.
- Después de hacer el bucle, pase el hilo por detrás del prensateles y sujételo firmemente en el seguro en la parte frontal izquierda del prensateles.



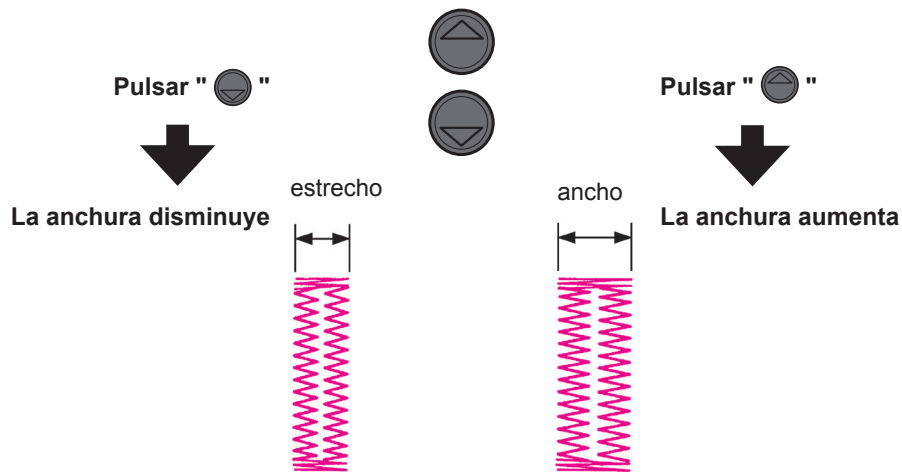
- Baje la aguja al punto de inicio de costura y baje el prensateles.
- Cosa el ojal.



- Tire del hilo de ribete sobrante para que quede bien firme y corte el exceso de hilo de ribete.

## ■ Cambiar la anchura del ojal

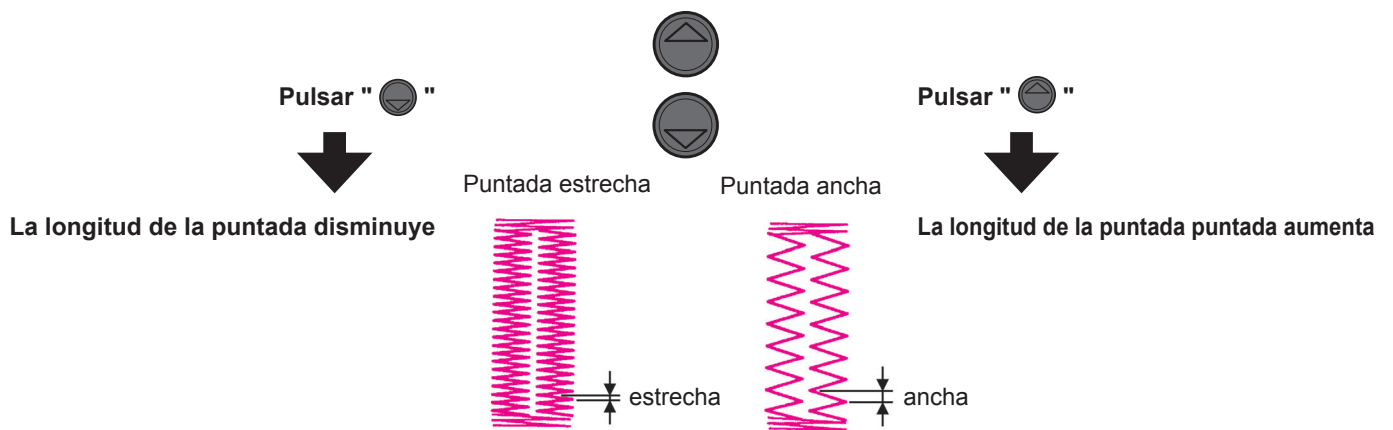
Empuje el pulsador del ajuste del ancho del zigzag.




\* El ajuste de la anchura del ojal y la longitud de la puntada se cancelará cuando se desconecte la alimentación o cuando se seleccione otro patrón.

## ■ Cambiar la densidad de la costura

Empuje el pulsador de ajuste del largo de puntada.



# Presillado

	Nº de patrón	Práctico 20
	Prensateles	Prensateles de ojales manuales (I)

**Atención** Apague la máquina antes de sustituir el prensateles.

El presillado se utiliza la parte de una costura que tiene probabilidades de descoserse.

\* La longitud de la presilla se determina pulsando el botón de puntada de remate, pero se cambia el sentido automáticamente cuando llega al máximo de 20 puntadas.

\* Si el prensateles no puede estar paralelo respecto a la placa aguja, utilice tejido de relleno o cartón.

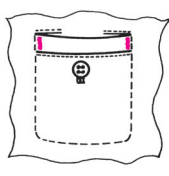
## Ejemplo de uso



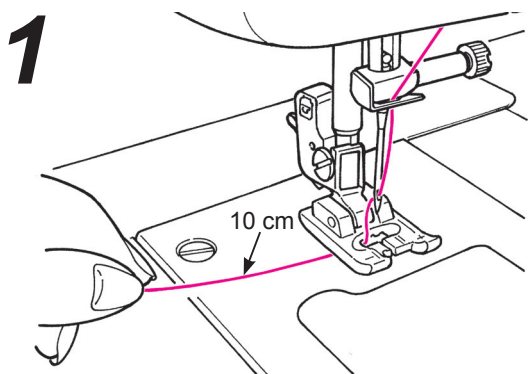
Pantalones y faldas



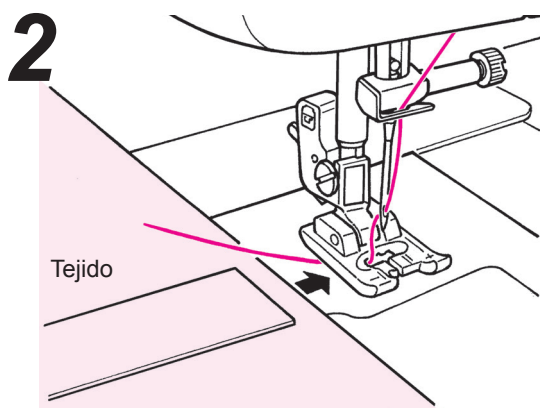
Bolsas



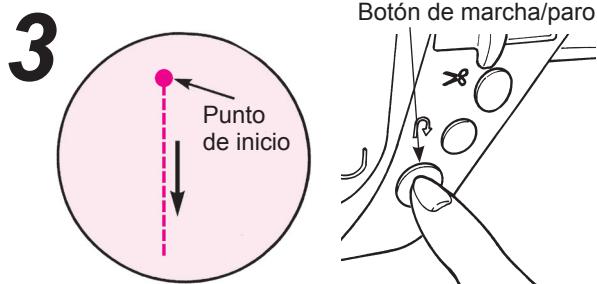
Bolsillos



● Pase el hilo de la aguja por el prensateles.

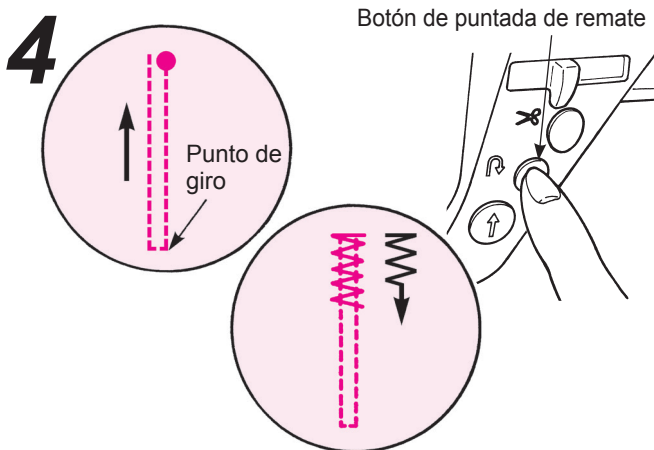


● Coloque el tejido bajo el prensateles.



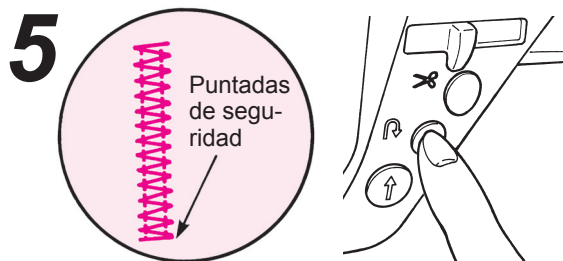
● **Empiece a coser.**

Pulse el botón de marcha/paro y la máquina empezará a coser una puntada recto.



● **Cuando llegue al punto de giro, pulse el botón de puntada de remate.**

La máquina volverá al punto inicial cosiendo un pespunte recto, tras lo cual realizará puntadas en zigzag cuando pulse el botón de puntada de remate.

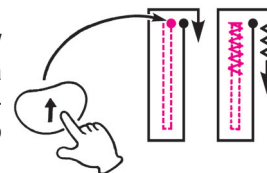


● **Cuando la máquina llegue al punto final de costura, pulse el botón de puntada de remate.**

La máquina coserá puntadas de seguridad y se parará.

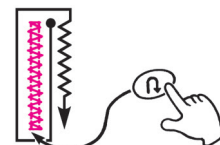
**Para volver a coser una presilla de la misma longitud cuando se haya memorizado la longitud de la primera presilla**

● Al pulsar el botón de marcha/paro, la máquina empieza a coser y da la vuelta automáticamente al mismo punto que la primera presilla.




\* Si desea cambiar la longitud memorizada de la presilla, vuelva a seleccionar este patrón de costura.

● Cuando llegue al punto final de costura, pulse el botón de puntada de remate.



# Colocación de cremalleras

	Nº de patrón	Práctico 00
	Prensateles	Cremalleras (B)

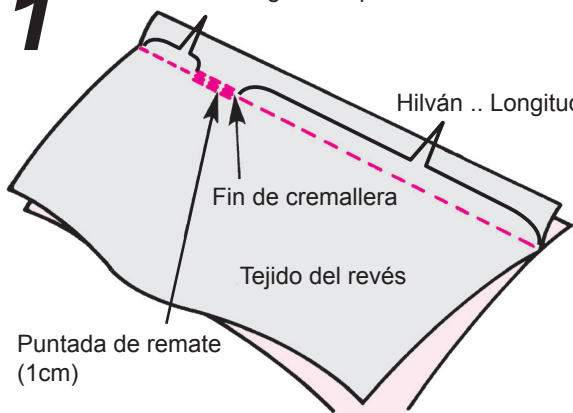
 <b>Atención</b>	Apague la máquina antes de sustituir el prensateles.
---	--

Las cremalleras se colocan de dos formas diferentes: insertadas en la costura lateral de la prenda y centradas.

**\* Asegúrese de utilizar la aguja en posición central (Nº de patrón de costura Práctico 00).**

## ■ Preparación antes de colocar la cremallera

**1** Costura ... Longitud de puntada "Automática"

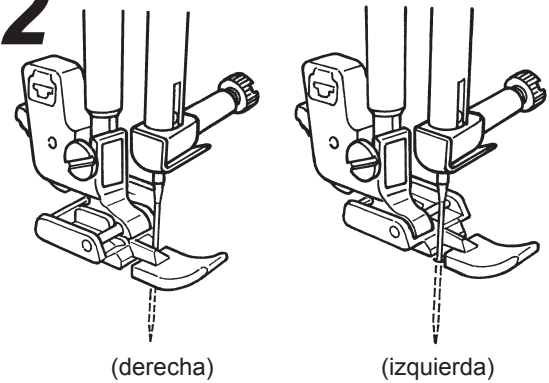


● **Use el prensateles estándar (A) para coser.**

Coloque los tejidos cara con cara. Compruebe la longitud de costura y la de la cremallera que debe colocarse. Hilvane la cremallera en los tejidos.

**Hilván = longitud de apertura de la cremallera + 1 cm**

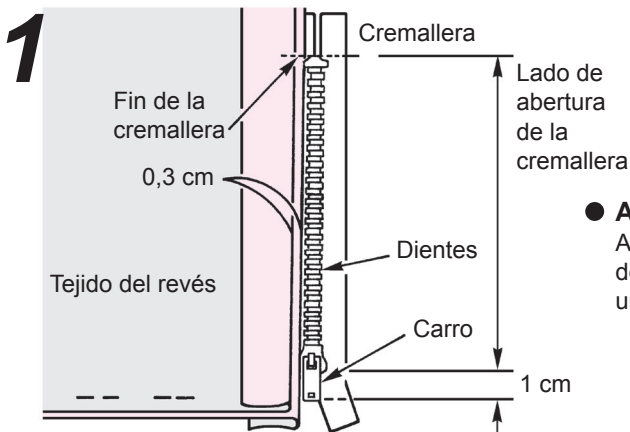
**2**



● **Instale el prensateles para cremalleras (B) en la máquina.**

Cuando cosa el lado izquierdo de la cremallera, coloque la cremallera debajo de la parte derecha del prensateles para cremalleras. Cuando cosa el lado derecho de la cremallera, coloque la cremallera debajo de la parte izquierda del prensateles.

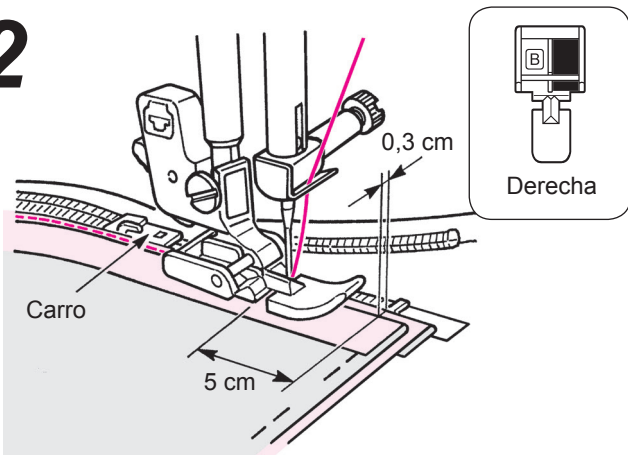
## ■ Colocación recubierta



● **Abra el margen de costura.**

Abra bien el margen de costura. Ajuste el margen de costura posterior, de forma que salga 3 mm de la costura. Pase la plancha para formar un dobléz. Ajuste el dobléz a lo largo del borde de los dientes.

2

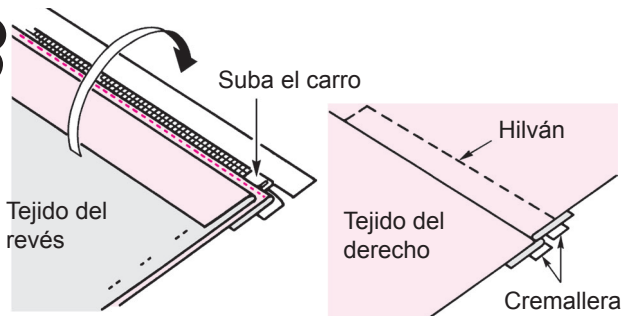


● **Cosa la cinta de la cremallera en el margen de costura, de abajo arriba.**

Ajustando el borde del prensatelas para cremalleras a lo largo de los dientes de la cremallera, cosa la cinta de la cremallera en el margen de costura.

En la parte del carro, detenga la máquina a 5 cm antes del carro. Mueva el carro al lado más alejado del prensatelas y cosa la cremallera hasta que llegue al extremo superior.

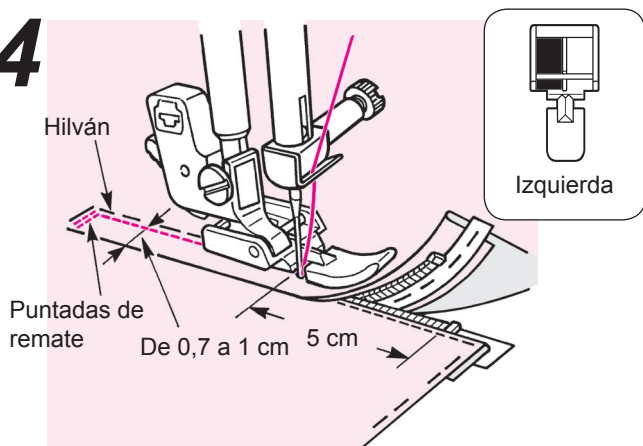
3



● **Coloque el tejido encima de la cremallera. Hilvane la cremallera y colóquela en el tejido.**

\* Hilvane la cinta de la cremallera con el tejido con puntadas de hilvanado a mano. Mueva el carro a la parte superior de la cremallera. Coloque el tejido encima de la cremallera y realice el hilvanado.

4

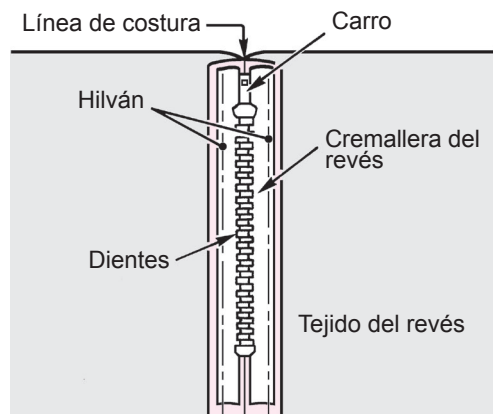


● **Realice puntadas de remate y cosa el lado derecho.**

Después de realizar puntadas de remate, ajuste el lado izquierdo del prensatelas para cremalleras en los dientes de la cremallera. Cosa hasta llegar a 5 cm del final de la cremallera. Deshaga el hilván y mueva el carro al extremo más alejado del prensatelas. A continuación, cosa el resto.

■ **Colocación centrada**

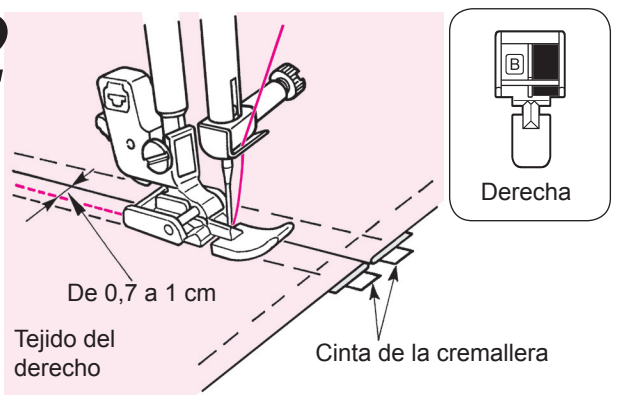
1



● **Hilvane la cremallera a la prenda.**

Abra el margen de costura. Haga coincidir los dientes de la cremallera con el final de la línea de costura y realice el hilvanado a mano. Tire de la lengüeta del carro hacia arriba.

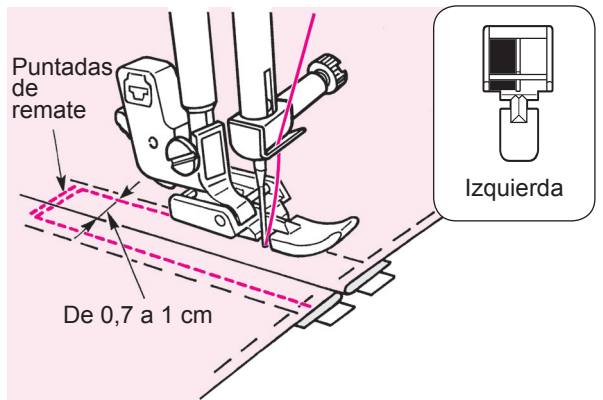
2



● **Cosa la parte izquierda del margen de costura de la parte inferior de la abertura hasta arriba.**

Cosa a una distancia de 0,7 a 1 cm de la línea de costura.

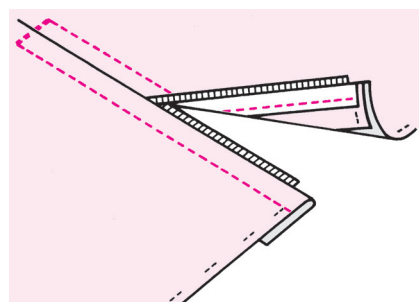
3



● **Cosa la parte derecha de la cremallera.**

Realice unas cuentas puntadas de remate. Cosa el otro lado a una distancia de 0,7 a 1 cm de la línea de costura.

4



● **Deshaga sólo el hilván.**

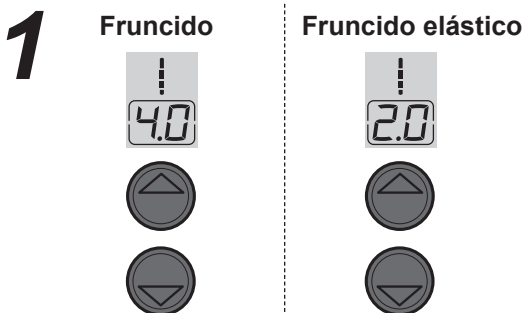


## Fruncido y fruncido elástico

	Nº de patrón	Práctico 00
	Prensateles	Prensateles estándar (A)

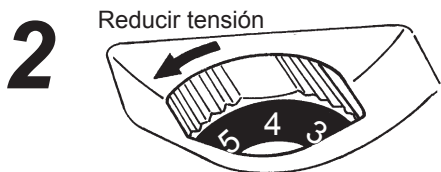
**Atención** Apague la máquina antes de sustituir el prensateles.

- ★ Fruncido elástico: como en la línea de hombros y la cintura de una falda, en la que no se ve el fruncido elástico.
- ★ Fruncido: como en la unión con los hombros y los volantes de una falda.

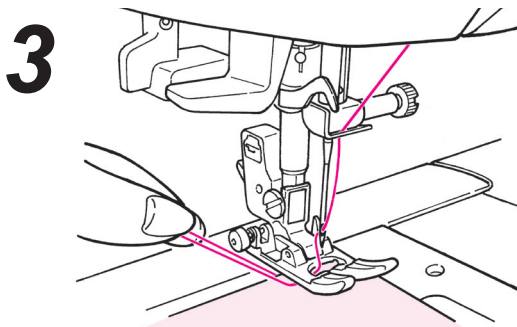


### ● Cambie la longitud de la puntada.

Establezca de 3,0 a 4,0 para fruncido y de 1,5 a 2,0 para fruncido elástico.

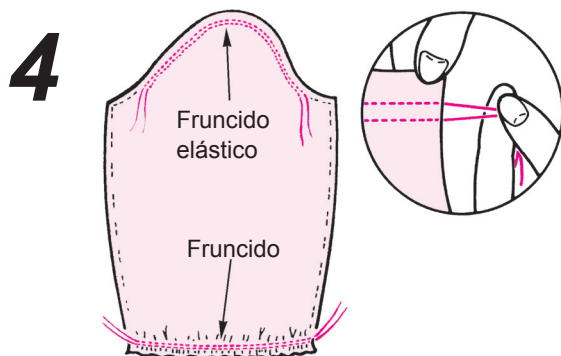


### ● Reduzca la tensión del hilo de la aguja.



### ● Empiece a coser.

Deje unos 5 cm de hilo de aguja y canilla al principio y al final de la costura y cosa una línea paralela.



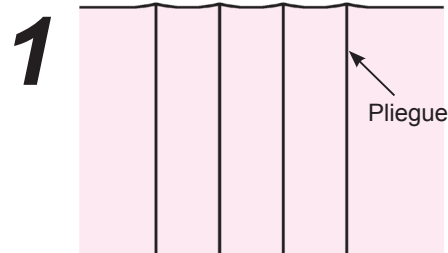
### ● Tire del hilo inferior con la mano para encoger el tejido.

## Lorzas

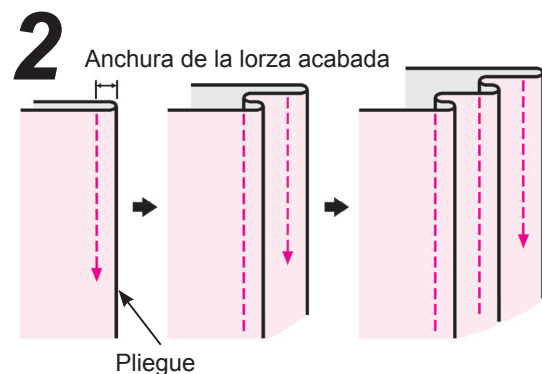
	Nº de patrón	Práctico 00
	Prensateles	Prensateles estándar (A)

**Atención** Apague la máquina antes de sustituir el prensateles.

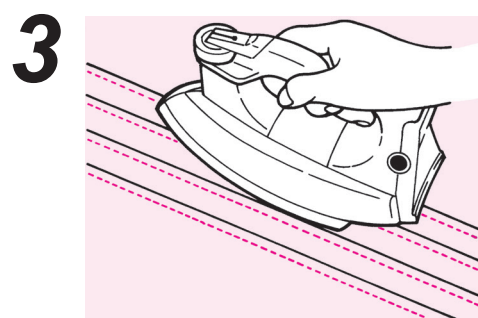
Esta puntada se utiliza para coser decoraciones delante de blusas, delantales, etc.



### ● Planche los pliegues de las lorzas.



### ● Cosa los pliegues uno a uno y evite que se estiren.



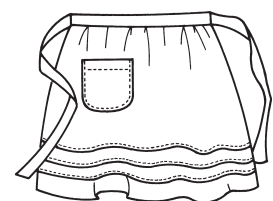
### ● Después de coser, dé la vuelta a los pliegues y plánelos.

#### ● Ejemplo de uso


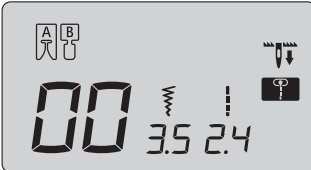
##### ● Blusa



##### ● Delantal

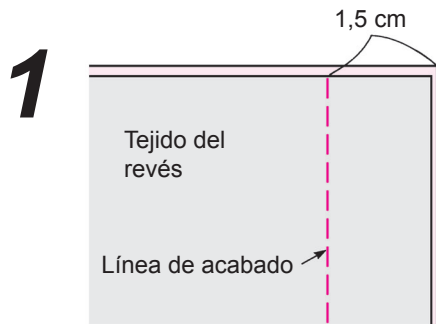


## Costura de refuerzo

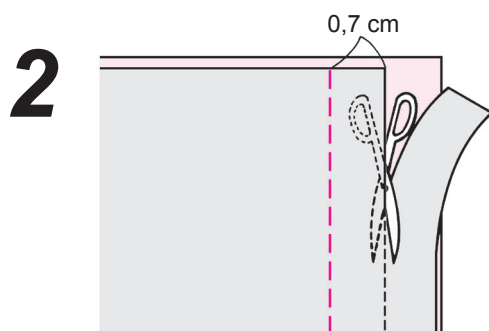
 	Nº de patrón	Práctico 00
	Prensateles	Prensateles estándar (A)

**Atención** Apague la máquina antes de sustituir el prensateles.

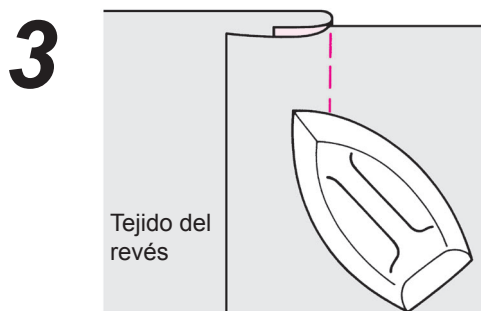
Esta puntada se utiliza para reforzar un borde.



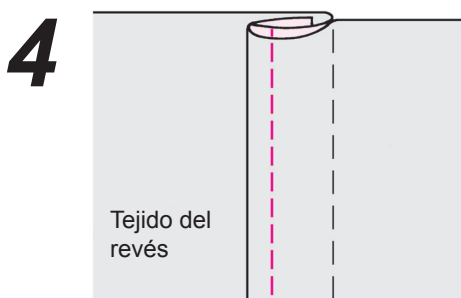
● Junte los tejidos y cósalos.



● Corte la mitad del margen de costura.





● Abra el tejido desde la línea de acabado, doble los márgenes de costura y plánelos.




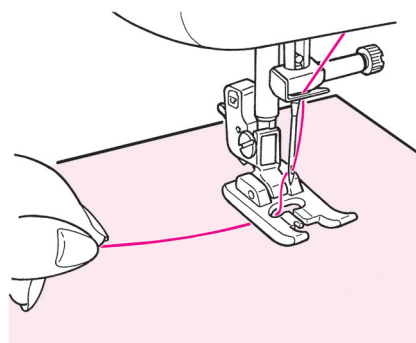
● Envuelva el margen de costura más corto con el más largo y cosa el borde del pliegue.

## Puntadas decorativas y una puntada de punto

 	Nº de patrón	Un punto 00~39
	Prensateles	Prensateles para ojales manuales (I)

**Atención** Apague la máquina antes de sustituir el prensateles.

- Después de seleccionar una puntada, pulse la tecla de memoria MEM , entonces puedes coser una sola puntada. Si no utiliza la tecla de memoria, entonces la máquina coserá la puntada continuamente.

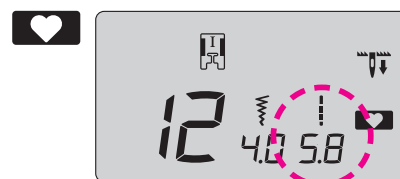


- Coloque el tejido debajo del prensateles y empiece a coser.

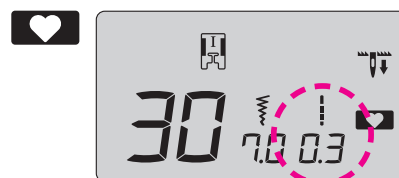
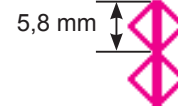
### Visualización de la duración de un ciclo

Aunque se visualiza la duración de un ciclo del patrón decorativo, considérela como una referencia, porque puede cambiar según el tejido y el hilo.

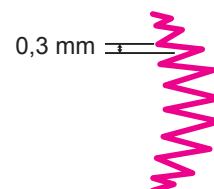
Ejemplo:



Se muestra la duración de un ciclo.





La longitud de la puntada aparece en el panel.



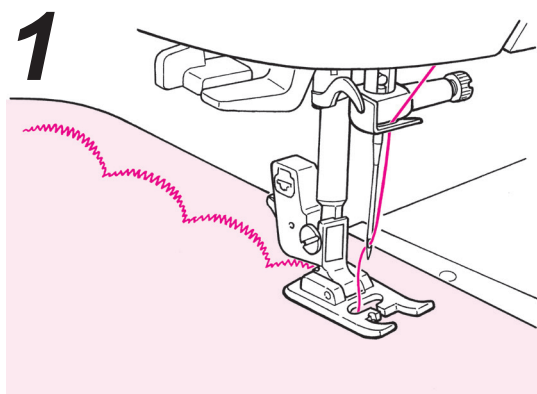


## Festones

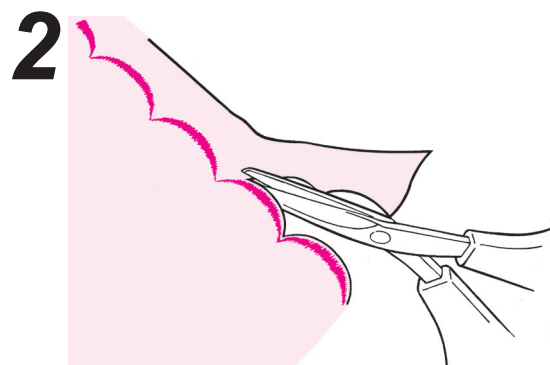
 	Nº de patrón	Un punto 30
	Prensatelas	Prensatelas para ojales manuales (I)

 <b>Atención</b>	Apague la máquina antes de sustituir el prensatelas.
---	--

Esta costura se utiliza para decorar bordes en elementos tales como manteles, cuellos de blusas, etc.





- Para mantener el patrón intacto, deje un poco de margen y cosa en el borde de la tela.



- Corte el tejido cosido con cuidado de no cortar las puntadas con las tijeras.

\* Ajuste la longitud de la puntada de las costuras decorativas de acuerdo con el tejido que desee coser.  
Cosér en tejido muy grueso puede provocar atascos.



## Acolchado

 	Nº de patrón	Práctico 30~39
	Prensatelas	Prensatelas para ojales manuales (I)

 <b>Atención</b>	Apague la máquina antes de sustituir el prensatelas.
---	--

Al utilizar una puntada decorativa, confiere un aspecto decorativo a la unión de retales en patchwork.  
Se recomienda hilo decorativo, como hilo de bordar.

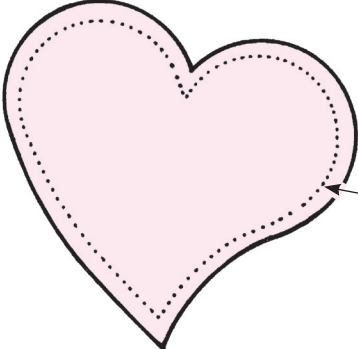
## Aplicación

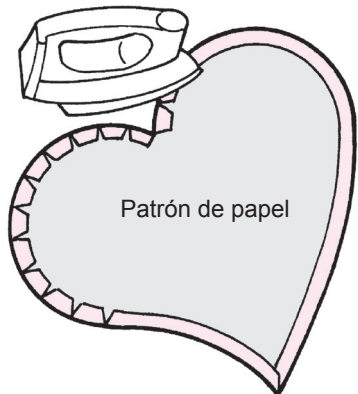
 	Nº de patrón	Práctico 05
	Prensatelas	Prensatelas para ojales manuales (I)

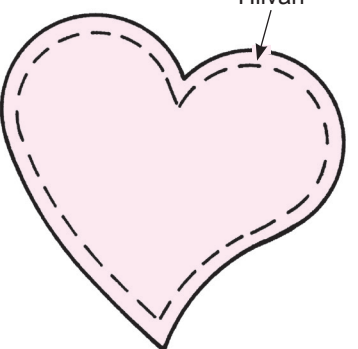
 <b>Atención</b>	Apague la máquina antes de sustituir el prensatelas.
---	--

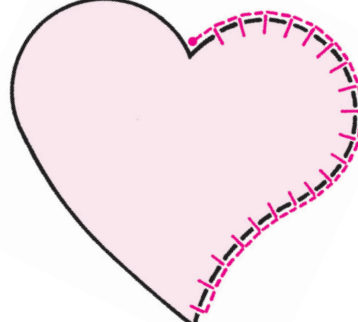
Para hacer que una costura pase desapercibida, puede coserse una aplicación.

- 1**


  - Corte el tejido de la aplicación con un margen de costura de 3~5 mm.
  
- 2**


  - Coloque el patrón de papel en el reverso del tejido y doble el margen de costura en la línea de acabado.
  - Coloque el tejido de aplicación en el tejido base. Fíjelo temporalmente con un hilván o adhesivo.
  
- 3**


  - Gire el volante hacia usted y empiece a coser a lo largo del borde exterior del tejido de la aplicación.  
Cuando empiece a coser, la máquina coserá automáticamente tres puntadas de seguridad.  
\* Cuando cosa ángulos cerrados, mantenga la aguja dentro del tejido, suba el prensatelas, cambie la dirección de costura y cosa lentamente.
  
- 4**


  - Puntada de seguridad al final de la costura.  
Pulse el botón de puntada de remate y la máquina coserá automáticamente tres puntadas de seguridad. Es mejor realizar las puntadas de seguridad en el lado exterior del tejido de la aplicación.  
\* En las costuras de aplicaciones se suele utilizar la posición central de la aguja, pero puede utilizarse la posición derecha o izquierda de la aguja. Para cambiar la posición de la aguja, consulte la página 24.

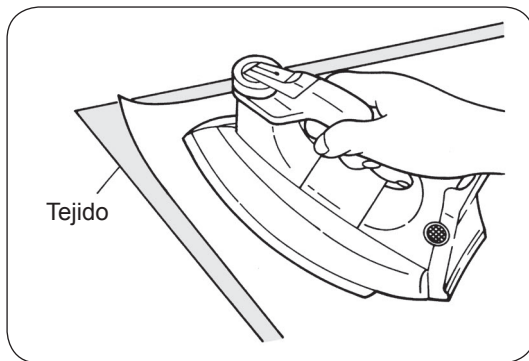
# Cosiendo letras y un punto

	Nº de patrón	Un punto 00~39 Letras 00~99
	Prensateles	Prensateles para ojales manuales (I)

**Atención** Apague la máquina antes de sustituir el prensateles.

## Preparación antes de coser

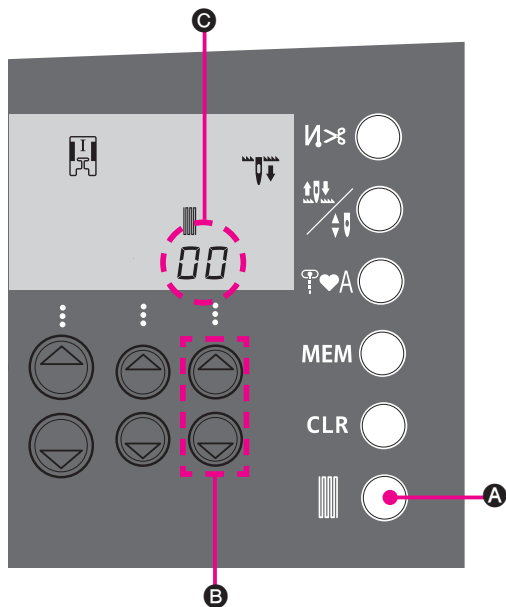
(Para coser un patrón de forma clara, aplique una entretela y cosa una prueba.)



Utilice una plancha para adherir una entretela termoadhesiva al reverso del tejido.

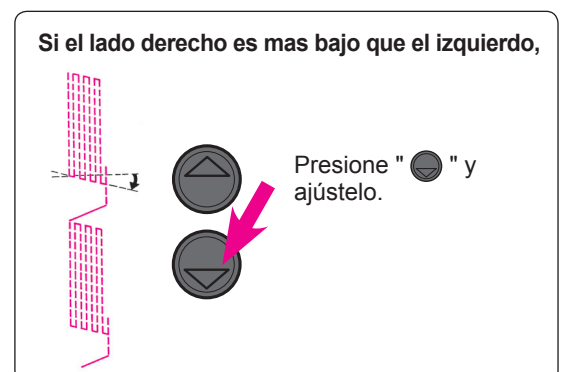
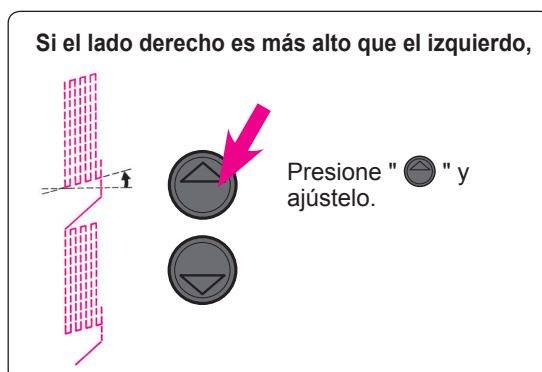
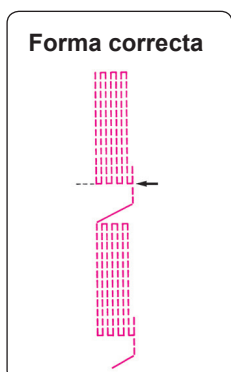
\* Cuando la longitud de la puntada sea demasiado pequeña, el hilo de la canilla saldrá al anverso del tejido y/o las puntadas se pueden atascar. Por tanto, antes asegúrese de coser una prueba.

## Coser una prueba



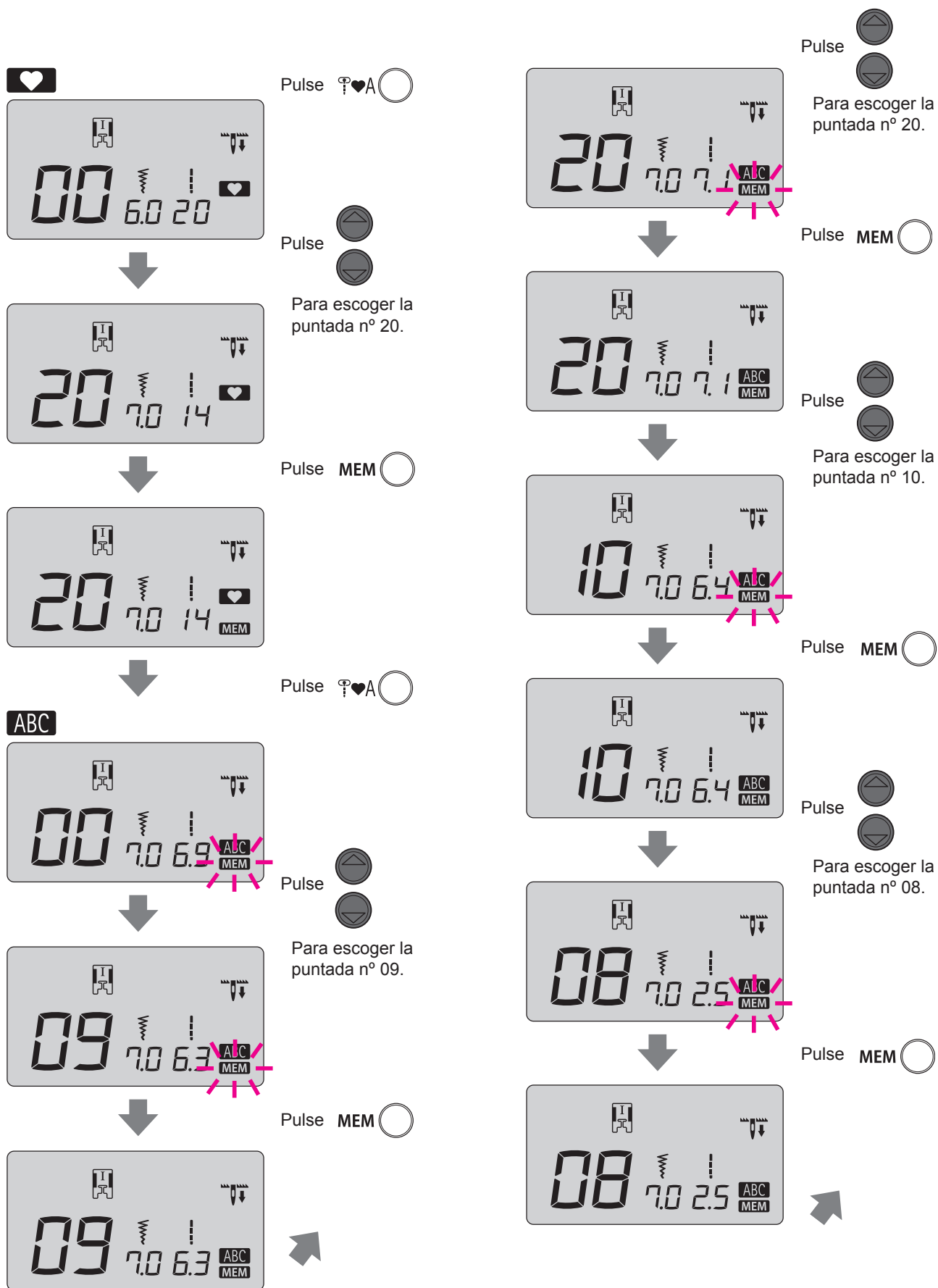
Puesto que el patrón puede deformarse debido al tipo y grosor del tejido y de la entretela termoadhesiva que debe utilizarse, asegúrese de coser una prueba con la misma combinación de tejido y entretela.

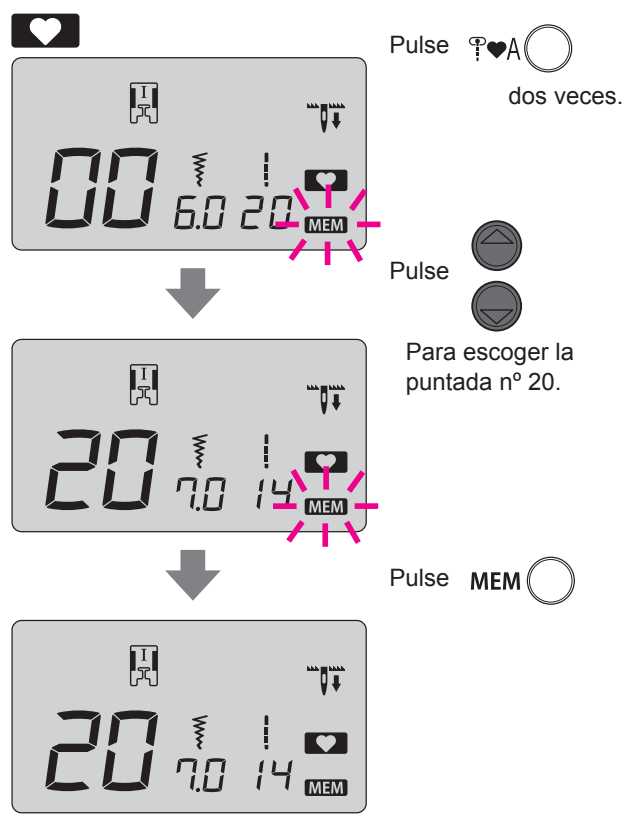
1. Presiona el botón (A).
2. Escoja una tela y un hilo para usar como costura de prueba.
3. Revise el resultado de la costura. Si no es correcta, cambie la figura **C** usando el pulsador de ajuste de longitud de puntada **B** seleccionado desde "-30" a "+30".
4. Cuando la tecla (A) es presionada otra vez, el panel vuelve a la posición normal.



## ■ Selección de patrones (letras)

### Ejemplo





**Si desea cambiar el tamaño del patrón (letras)....**

**Mueva el cursor al patrón (letra) deseado. Puede cambiar la altura y la anchura como sigue:**

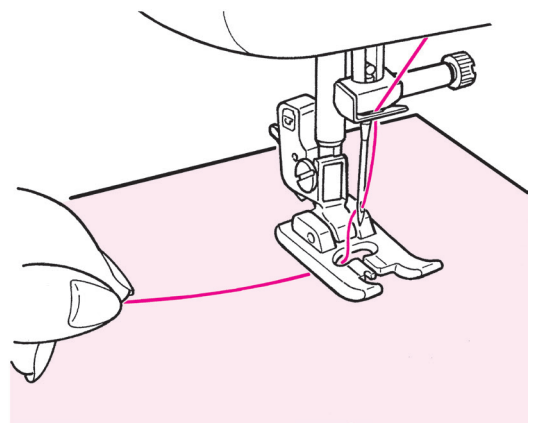
**Altura:** Pulsador de ajuste del ancho de zigzag  
**Ancho:** Pulsador de ajuste de la longitud de puntada

**MEM** Hasta 70 letras y un punto pueden ser guardadas en la memoria.

Borrando letras y puntadas en la memoria

**CLR** Presionando borrará las puntadas en la memoria desde la última a la primera. Cuando se presiona el pulsador continuamente se borran todas las puntadas de la memoria.

■ **Coser un patrón (letras)**

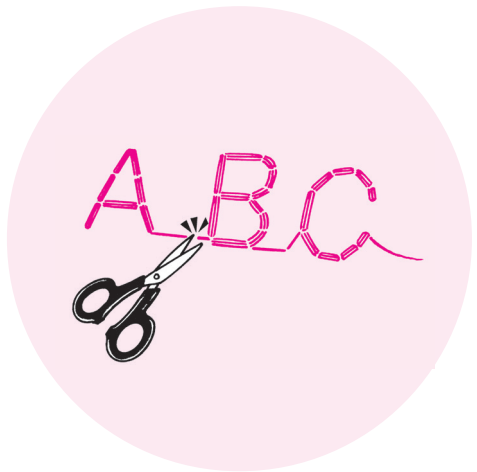


**Coloque el tejido debajo del prensatelas y empiece a coser.**  
 La máquina se detendrá automáticamente cuando acabe de coser.

**Notas:**

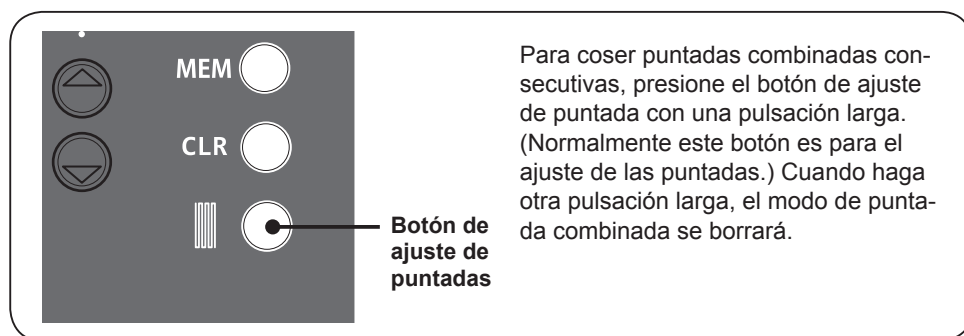
1. Tenga en cuenta que la velocidad de costura varía según los patrones de costura (letras) que deban coserse.
2. Si debe utilizarse el cortador de hilo automático durante la costura, la máquina empezará a coser desde el principio.
3. En el caso de una costura condensada, si la longitud de la puntada es demasiado pequeña, las puntadas pueden atascarse.

■ **Deshechado del hilo sobrante en puntadas salteadas**



Puede desembarazarse del hilo sobrante del anverso del tejido con la ayuda de tijeras.

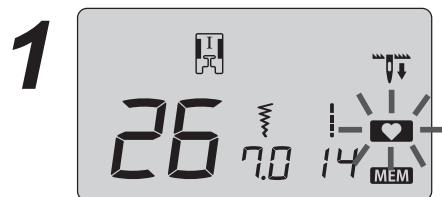
## ■ Como coser puntadas combinadas consecutivas




Ejemplo: en caso de la siguiente costura



5 costuras consecutivas



Después de memorizar las puntadas, presione el botón de ajuste de puntada con una pulsación larga. Entonces, el icono  parpadeará.

2 Inicio costura.



Durante la costura de puntadas combinadas en el 5º ciclo, presione el botón de ajuste de puntada con una pulsación larga. La máquina se parará después de coser la última puntada de la combinación del 5º ciclo de puntada consecutiva.

\* Si empieza a coser sin el ajuste de puntadas continuas, puede coser puntadas continuas presionando el botón de ajuste de puntada con una pulsación larga durante la costura. En este caso, presionando de nuevo el botón de ajuste de puntada con una pulsación larga, la máquina se parará después de la costura de la última puntada.

## Introducción de accesorios opcionales

Disfrute todavía más de la costura en casa.

Puede adquirir los siguientes artículos en el establecimiento en el que compra nuestros productos.

- **Prensateles de dobladillo de caracolillo**

Se hace un dobladillo en el tejido y se enrolla.  
Se usa en los bajos de camisas, blusas, volantes y en el borde de pañuelos.

- **Prensateles de acolchar (transparente)**

Se utiliza para el acolchado libre. La puntada en zigzag también es posible con este prensateles.

- **Prensateles para coser botones**

Este prensateles sirve para colocar botones en las prendas.

- **Prensateles para cordones y bordados**

Se utiliza en acolchado libre. Puede coserse un cordón con este prensateles.



- **Prensateles para cuentas y perlas**

Con este prensateles es posible colocar perlas, cuentas y cordones gruesos.

- **Prensateles con guía**

Como el prensateles posee marcas, que muestran divisiones de 2 mm, estas marcas pueden utilizarse como guía.

- **Placa aguja para pespunte recto**

Utilízelo con el prensateles para patchwork para una calidad óptima de la puntada.

- **Prensateles de unión**

Es posible colocar cintas tales como cintas bias en cuatro pliegues.

- **Prensateles de dobladillo para zigzag**

Se hace un dobladillo en el borde tejido en zigzag. Se usa en los bajos de camisas, blusas, volantes y en el borde de pañuelos.

- **Prensateles de acolchar (abierto)**

Se utiliza para la costura libre. Como la parte delantera está abierta, es fácil ver el punto de entrada de la aguja.

- **Prensateles para aplicaciones**

Como la parte delantera y posterior del prensateles es corta, es fácil mover los materiales en puntos curvados. Además, se puede ver fácilmente el tejido porque es transparente.

- **Prensateles para aplicaciones**

Como la parte delantera y posterior del prensateles es corta, es fácil mover los materiales en puntos curvados. Además, se puede ver fácilmente el tejido porque es transparente.

- **Prensateles de cremallera invisible**

Como la costura no aparece en el anverso del tejido, puede rematarse una abertura con los bordes del tejido perfectamente acabados.

- **Prensateles deslizante**

Este prensateles se utiliza en puntadas en materiales no deslizantes como el vinilo y el satén.

- **Punzón abreojales**

Sirve para practicar un orificio en la parte redonda de los ojales de herradura.

- **Mesa extensible**

Para coser proyectos grandes, como colchas, etc.

- **Prensateles de horquilla abierta**

Este prensateles se utiliza en sobrepuestos y puntadas decorativas (la parte delantera del prensateles (está abierta para mejorar la visibilidad).

- **Prensateles para bordes**

Este prensateles se utiliza para patchwork, para coser la línea central de materiales unidos utilizando la guía central del prensateles.

- **Prensateles de doble arrastre**

Este prensateles se utiliza para materiales difíciles de suministrar a la máquina como punto, vinilo, cuero natural y artificial y colchas.

- **Prensateles para acolchar**

Este prensateles se utiliza para puntadas de acolchado (acolchado libre).

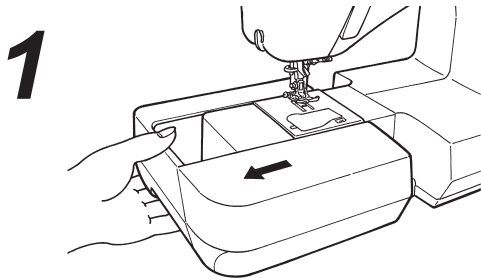
- **Prensateles para patchwork**

Este prensateles se utiliza para costuras de patchwork.

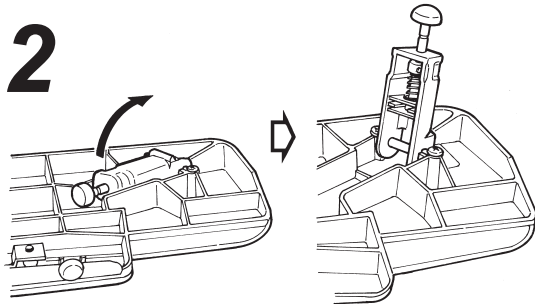
- **Guía de acolchar**

Se trata de una guía para coser líneas a la misma distancia.

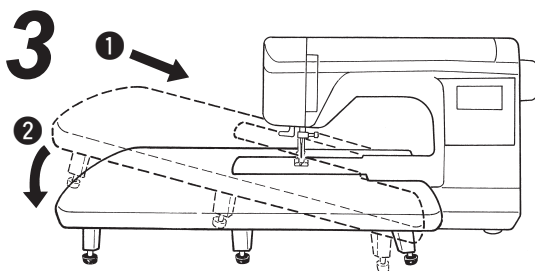
## Instalación de la mesa extensible



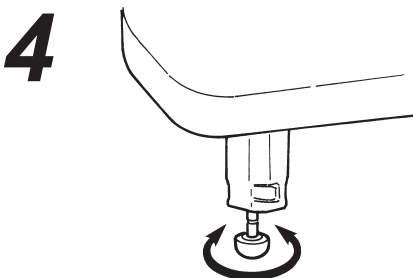
- Extraiga la base auxiliar.



- Abra las patas de la mesa extensible hasta que se detengan con firmeza en posición.



- Monte la mesa extensible en el cuerpo de la máquina de coser.  
Únalo al brazo libre de la máquina de coser.



- Ajuste la altura de las patas de modo que la parte superior de la mesa extensible esté a la misma altura que el cuerpo de la máquina de coser.

**Atención**

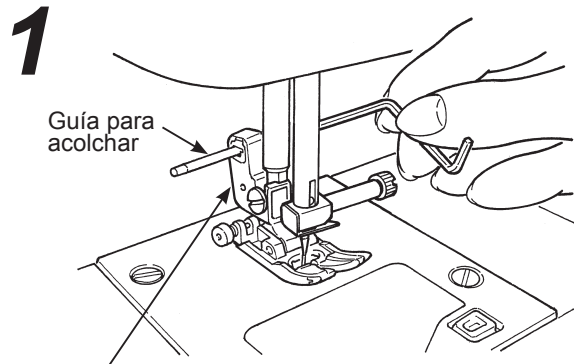
- \* No coloque materiales pesados en la mesa extensible.
- \* No mueva la máquina de coser con la mesa extensible instalada.

## Uso de la guía para acolchar

	Nº de patrón	Práctico 00, 03
	Presnataelas	Presnataelas estándar (A)

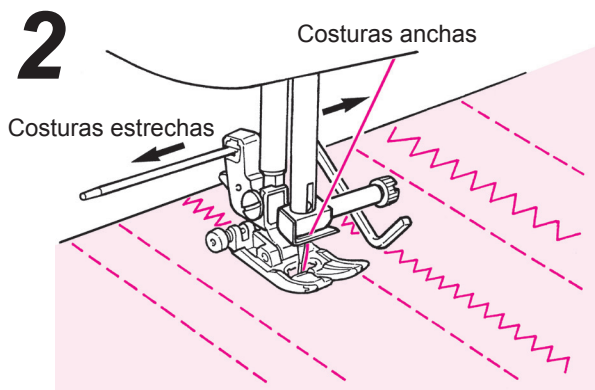
**Atención**

Apague la máquina antes de sustituir el presnataelas.



Soporte del presnataelas



- Inserte la guía para acolchar en la ranura del soporte del presnataelas.



- Cosa mientras traza las puntadas con la punta de la guía para acolchar.

La distancia entre las líneas de costura puede ajustarse libremente.

## Acolchado con puntada con guía central

 	Nº de patrón	Práctico 00
	Prensateles	Prensateles para bordes (R)

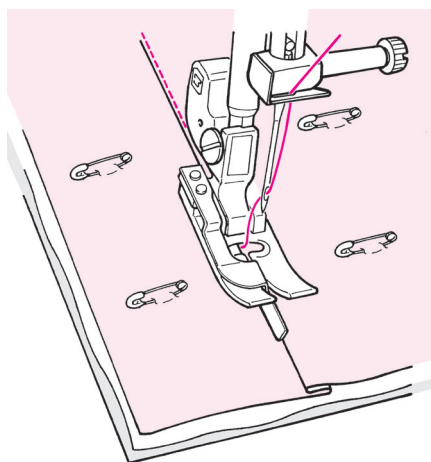


**Atención**

Apague la máquina antes de sustituir el prensateles.

Esta costura se utiliza para acolchar el borde de patchwork y aplicaciones. La máquina cose el lado inferior (más fino) de las capas de tejido. Como resultado, las puntadas no serán apreciables y permitirán que el diseño tenga un efecto tridimensional o resaltado.

**1**



- Una la capa superior de tejido con patchwork y/o aplicaciones, la fibra de acolchar y la capa inferior de tela con alfileres o hilván.

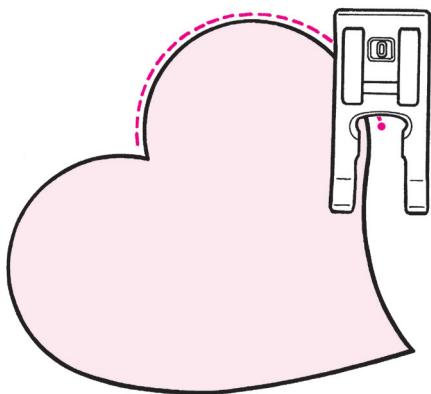
**2**

- Coloque la guía del prensateles a lo largo del pliegue y cosa.

La aguja entra detrás de la guía, de modo que puede coserse el borde del pliegue.

\* Si no pueden coserse puntos deseados, ajuste la posición de la aguja.



Para cambiar la posición de la aguja, consulte la página 24.



### ★ Acolchado oculto curvado

Utilice el prensateles para ojales manuales o el (I) prensateles de aplicación abierto (O). Para coser las curvas, levante el prensateles y cambie la dirección con frecuencia. También puede realizar esto con libre movimiento y la ayuda del prensateles para acolchar. (Consulte la página 48.)

## Acolchado (pespunte recto)

 	Nº de patrón	Práctico 00
	Prensateles	De doble arrastre (N)

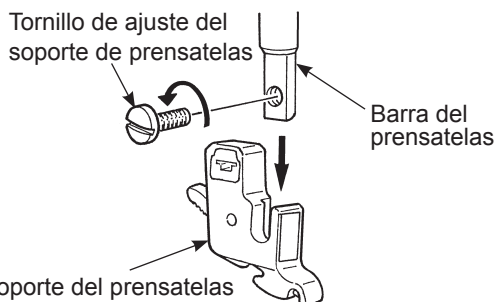


**Atención**

Apague la máquina antes de sustituir el prensateles.

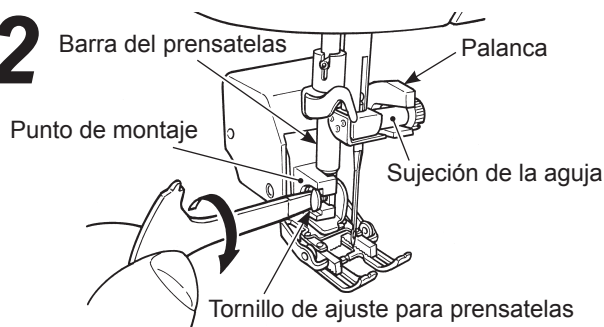
Acolchar es el proceso de coser una capa superior de tejido, con fibra de acolchar en medio y una capa de tejido inferior debajo de ésta. Con el prensateles de doble arrastre, la máquina recibe los tejidos superior e inferior al mismo tiempo, de modo que el desplazamiento de tejido se elimina.

**1**



- Una la capa superior de tejido con patchwork y/o aplicaciones, la fibra de acolchar y el tejido inferior con alfileres o hilván.

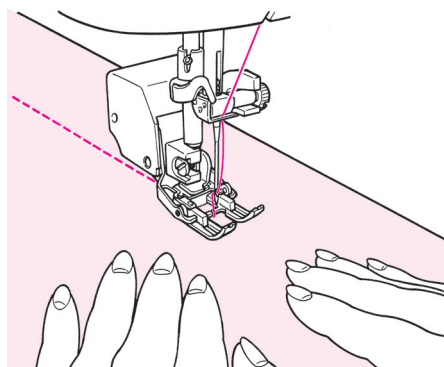
**2**



- Monte el prensateles de doble arrastre.

Suba la barra del prensateles. Afloje el tornillo de ajuste del soporte del prensateles y extraiga el soporte del prensateles (Consulte la página 12) coloque la palanca accionadora en la sujeción de la aguja, inserte el punto de montaje en la barra del prensateles y apriete el tornillo de ajuste para el prensateles.

**3**





- Coloque las manos a ambos lados del prensateles y cosa separando los tejidos.

\* Cosa a una velocidad lenta o media.

## Accesorios opcionales

### Acolchado (libre)

 	Nº de patrón	Práctico 00
	Prensateles	Prensateles de acolchar (Q)

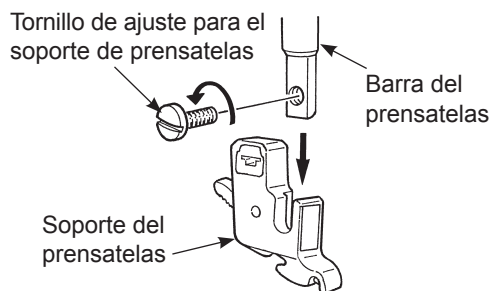


**Atención**

Apague la máquina antes de sustituir el prensateles.

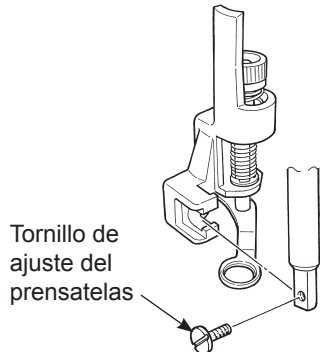
Se denomina acolchado libre cuando se mueve el tejido libremente hacia cualquier dirección sin utilizar los dientes de la máquina de coser. Cuando se bajan los dientes (con el selector de arrastre arriba/abajo), es posible coser cuervas o diferentes direcciones moviendo los tejidos con las manos.

**1**



- Una la capa superior de tejido con patchwork y/o aplicaciones, la fibra de acolchar y el tejido inferior con alfileres o hilván.

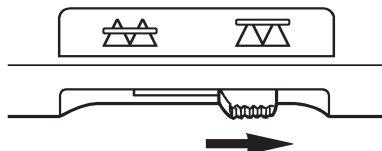
**2**



- Monte el prensateles para acolchar.

Suba la barra del prensateles. Afloje el tornillo de ajuste para el soporte del prensateles y extraiga el soporte del prensateles (consulte la página 12). Coloque el prensateles para acolchar y apriete el tornillo de ajuste del prensateles.

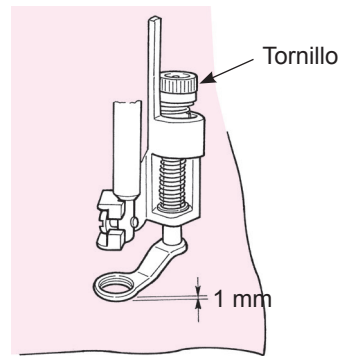
**3**



- Mueva el selector de arrastre arriba/abajo hacia la derecha.

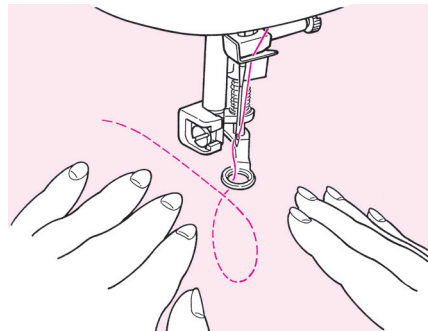
Los dientes se bajarán.

**4**



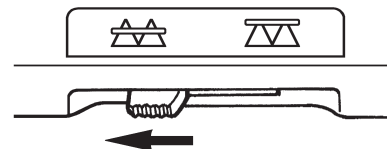
- Coloque el tejido debajo del prensateles y baje el prensateles.
- Ajuste la altura del prensateles según el grosor del tejido con el tornillo. Cuando la altura sea de 1 mm respecto a la superficie del tejido, será más fácil mover el tejido sin interferencias.

**5**



- Utilice las dos manos para retener el tejido y moverlo sin que quede holgado. La longitud ideal de la puntada es de unos 1,5~2,0 mm.

**6**



- Cuando finalice la costura libre, vuelva a situar el selector de arrastre arriba/abajo a la izquierda.

Los dientes se elevarán y se engranarán cuando la máquina vuelva a coser.

### Consejos

- **Cómo realizar puntadas de seguridad**

1. Cuando empiece a coser, tire del hilo de la canilla en la capa de tejido superior, sostenga tanto el hilo de la aguja como el de la canilla y cosa tres puntadas en el mismo punto. A continuación, mueva los tejidos como desee. De este modo, las puntadas en el revés del tejido tendrán un aspecto ordenado.
2. Al finalizar la costura, cosa tres puntadas en el mismo punto y deténgase.

- **Cómo coser puntadas con la misma longitud de puntada**

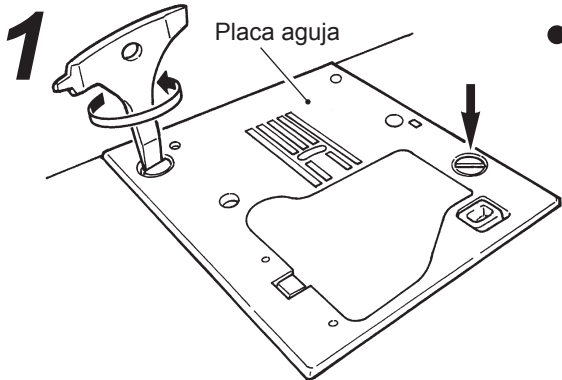
1. Si se utiliza el pedal, puede guiar los tejidos con ambas manos y mover el tejido libremente.
2. Accione el pedal para obtener primero una velocidad media o media-baja, acciónelo completamente y mueva los tejidos.
  - Si las puntadas son demasiado grandes, accione el pedal para obtener una velocidad más alta.
  - Si las puntadas son demasiado pequeñas, accione el pedal para obtener una velocidad más baja.

☆ Cuando cosa libremente con puntadas en zigzag, utilice el prensateles para acolchar (el tipo transparente), que puede obtener opcionalmente de su distribuidor.

# Mantenimiento de la máquina

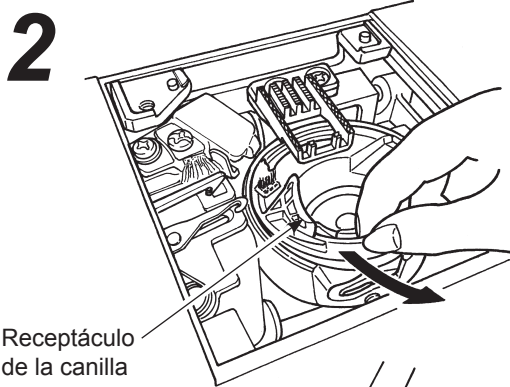
Si se acumula polvo o fibra, puede provocar anomalías en la máquina. Por tanto, limpie la máquina con frecuencia.

**⚠ Atención** Siempre desconecte el interruptor antes de sacar la placa agujas o desmontar la caja bobina.

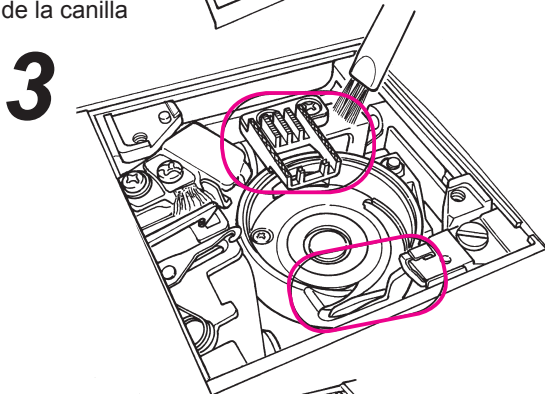


● **Extraiga la placa aguja**

Extraiga la aguja y el prensatelas y extraiga la placa aguja utilizando el destornillador en forma de T.

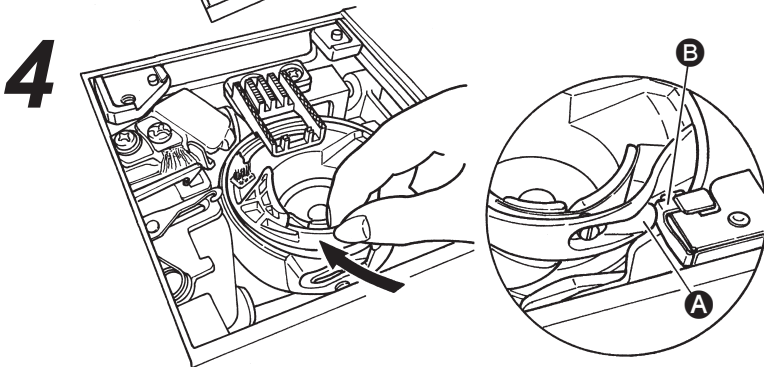


● **Extraiga el receptáculo de la canilla.**



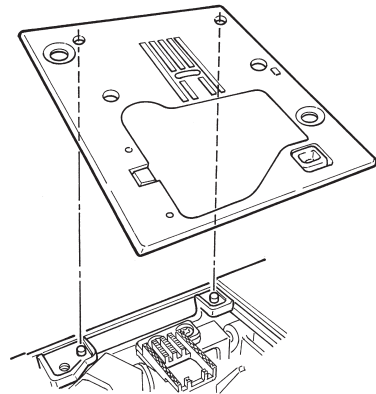
● **Limpe el polvo y las fibras.**

Limpe el polvo y las fibras de los dientes y el receptáculo de la canilla con el cepillo limpiador.



● **Instale el receptáculo de la canilla.**

Instale el receptáculo de la canilla de modo que los puntos **A** y **B** se toquen.



● **Instale la placa aguja.**

Cuando instale la placa aguja, alinee los pivotes de posicionamiento con los orificios de la placa aguja.



## Resolución de problemas

Si se surgen dificultades al coser, asegúrese de seguir correctamente las instrucciones.

Si el problema todavía persiste, los recordatorios siguientes pueden ayudar a resolverlo.

Situación	Causa (motivo)	Solución	Véase la página
<ul style="list-style-type: none"> <li>La máquina deja de coser repentinamente. (En caso de que pueda girar el volante con la mano.)</li> </ul>	<ul style="list-style-type: none"> <li>La máquina cose a baja velocidad de forma continuada. (La máquina posee un mecanismo de desconexión automática de la alimentación para evitar que se caliente el motor.)</li> </ul>	<ul style="list-style-type: none"> <li>Apague la máquina y espere un rato (unos 10 minutos). El mecanismo de seguridad se restablecerá y la máquina volverá a funcionar normalmente.</li> </ul>	3
<ul style="list-style-type: none"> <li>La máquina de coser se para mientras cose (el giro del volante va duro).</li> </ul>	<ul style="list-style-type: none"> <li>Si el hilo se entregira o la aguja esta curvada, el motor se bloqueará y el sistema de seguridad actuará bloqueando la máquina de coser.</li> </ul>	<ul style="list-style-type: none"> <li>Posibles causas de que el hilo se entregue.</li> <li>Revisar si la aguja esta curvada o no. Apague la máquina antes de revisar las agujas.</li> </ul>	- 18
<ul style="list-style-type: none"> <li>La máquina de coser se para después de coser unas puntadas.</li> </ul>	<ul style="list-style-type: none"> <li>En caso de baja temperatura y/o hilo se entregue, o en caso de que el motor detecte una carga excesiva, entonces el sistema de seguridad actuará y bloqueará la máquina hasta reducir la temperatura.</li> </ul>	<ul style="list-style-type: none"> <li>Deje la máquina de coser en la habitación donde vaya a usarla de forma que se adapte a la temperatura de la habitación.</li> <li>Posibles causas de que el hilo se entregue.</li> </ul>	3 -
<ul style="list-style-type: none"> <li>La máquina no funciona aunque arranque.</li> </ul>	<ul style="list-style-type: none"> <li>El prensatelas está subido.</li> </ul>	<ul style="list-style-type: none"> <li>Baje el prensatelas y empiece a coser.</li> </ul>	9
<ul style="list-style-type: none"> <li>La máquina no funciona aunque se pulse el botón de marcha/paro. (Si la luz de costura en curso está aun encendida.)</li> </ul>	<ul style="list-style-type: none"> <li>La aguja golpea el prensatelas debido a la instalación de un prensatelas incorrecto.</li> <li>La aguja ha caído en el área del gancho e intenta arrancar.</li> </ul>	<ul style="list-style-type: none"> <li>Use el prensatelas adecuado para el patrón de costura seleccionado.</li> <li>Extraiga la aguja del área del garfio.</li> </ul>	- -
<ul style="list-style-type: none"> <li>Se rompe la aguja.</li> </ul>	<ul style="list-style-type: none"> <li>Se está cosiendo material grueso con una aguja fina.</li> <li>La aguja no está totalmente insertada.</li> <li>El tornillo de ajuste de la aguja no está bien apretado.</li> <li>Se está utilizando el prensatelas incorrecto para un determinado patrón.</li> </ul>	<ul style="list-style-type: none"> <li>Compruebe la combinación de tejido, hilo y aguja.</li> <li>Compruebe la instalación de la aguja.</li> <li>Apriete bien el tornillo de ajuste de la aguja.</li> <li>Compruebe la combinación de patrón de costura y prensatelas que debe utilizarse.</li> </ul>	18 18 18 -
<ul style="list-style-type: none"> <li>Se produce un ruido fuerte o penetrante a coser.</li> </ul>	<ul style="list-style-type: none"> <li>Se han acumulado fibras o polvo en los dientes.</li> <li>Se han acumulado fibras o polvo en el garfio.</li> </ul>	<ul style="list-style-type: none"> <li>Limpie el área de los dientes.</li> <li>Limpie el área del garfio.</li> </ul>	49 49
<ul style="list-style-type: none"> <li>La máquina no puede aceptar tejido.</li> </ul>	<ul style="list-style-type: none"> <li>La longitud de la puntada está establecida en "0".</li> <li>Se está cosiendo tejido suave, como el de toalla.</li> <li>La máquina tiene los dientes bajados (el selector de descenso de los dientes está ajustado hacia la derecha).</li> </ul>	<ul style="list-style-type: none"> <li>Cuando se vuelve a seleccionar el patrón de costura, la máquina vuelve al ajuste predeterminado.</li> <li>Ajuste la longitud de puntada de 3 a 5.</li> <li>Ajuste selector de descenso de los dientes hacia la izquierda.</li> </ul>	24 - 19



Situación	Causa (motivo)	Solución	Véase la página
<ul style="list-style-type: none"> <li>No puede enhebrarse la aguja. (Esto es en caso de que el enhebrador de la aguja no gire.)</li> <li>El garfio del enhebrador de la aguja no pasa por el ojo de la aguja.</li> </ul>	<ul style="list-style-type: none"> <li>La aguja no está en posición levantada. (Cuando la aguja no está en posición levantada, el enhebrador no gira. Esto es para evitar daños en el garfio.)</li> <li>La aguja no está insertada por completo.</li> </ul>	<ul style="list-style-type: none"> <li>Gire la rueda y levante la aguja hacia arriba.</li> <li>Compruebe la instalación de la aguja.</li> </ul>	16
			18
<ul style="list-style-type: none"> <li>La palanca de enhebrado de la aguja no regresa a la posición original y la máquina no gira correctamente. (Esto es en caso de que el garfio del enhebrador se quede en el ojo de la aguja.)</li> </ul>	<ul style="list-style-type: none"> <li>Se ha girado el volante por error mientras la palanca de enhebrado de la aguja estaba en posición bajada (en proceso de enhebrar la aguja.)</li> </ul>	<ul style="list-style-type: none"> <li>Gire ligeramente el volante en dirección opuesta a usted (al lado contrario que al coser).</li> </ul>	-
<ul style="list-style-type: none"> <li>La máquina no arranca aunque se pulse el botón de marcha/paro.</li> </ul>	<ul style="list-style-type: none"> <li>El pedal está conectado.</li> </ul>	<ul style="list-style-type: none"> <li>El botón de marcha/paro puede funcionar si se desconecta el pedal.</li> </ul>	8
<ul style="list-style-type: none"> <li>El hilo se rompe.</li> <li>Se salta una puntada.</li> </ul>	<ul style="list-style-type: none"> <li>Se ha enhebrado mal la máquina.</li> <li>El hilo presenta algún nudo o un lazo.</li> <li>El ajuste de la tensión manual del hilo es incorrecto.</li> <li>La aguja está doblada o la punta de la aguja está rota.</li> <li>La aguja se ha instalado incorrectamente.</li> <li>El enhebrado del hilo de la canilla no es correcto.</li> <li>La canilla no puede girar con suavidad en el receptáculo del garfio.</li> <li>El tamaño de la aguja no coincide con el hilo.</li> <li>El tirahilos no se ha enhebrado.</li> </ul>	<ul style="list-style-type: none"> <li>Vuelva a enhebrar la máquina.</li> <li>Elimine el nudo o el lazo del hilo.</li> <li>Ajuste la tensión del hilo manualmente de acuerdo con el tejido y el hilo que deben usarse.</li> <li>Cambie la aguja.</li> <li>Instale la aguja correctamente.</li> <li>Compruebe el modo correcto de ajustar el hilo de la canilla.</li> <li>Compruebe el modo correcto de hacer la canilla.</li> <li>Compruebe la combinación de hilo y aguja.</li> <li>Vuelva a enhebrar bien la máquina.</li> </ul>	16
			-
			19
			18
			18
			15
			-
18			
16			
<ul style="list-style-type: none"> <li>La tensión del hilo no es buena.</li> </ul>	<ul style="list-style-type: none"> <li>El hilo de la aguja se ha enhebrado incorrectamente.</li> <li>El hilo de la canilla se ha enhebrado incorrectamente.</li> <li>La dirección de la tapa de la bobina no coincide con la bobina.</li> </ul>	<ul style="list-style-type: none"> <li>Vuelva a enhebrar bien la máquina.</li> <li>Compruebe el modo correcto de enhebrar el hilo de la canilla.</li> <li>Coloque la tapa de la bobina en la dirección correcta.</li> </ul>	16
			15
			16
<ul style="list-style-type: none"> <li>Se produce fruncido.</li> </ul>	<ul style="list-style-type: none"> <li>La longitud de la puntada es demasiado grande en tejidos finos.</li> <li>La punta de la aguja está rota.</li> </ul>	<ul style="list-style-type: none"> <li>Ajuste la longitud de la puntada en un valor inferior (más corto).</li> <li>Cambie la aguja.</li> </ul>	24
			18

## Lista de patrones de costura



00 01 02 03 04 05 06 07 08 09



10 11 12 13 14 15 16 17 18 19 20 21 22



23 24 25 26 27 28 29 30 31 32 33 34 35 36 37 38 39



Un punto

00 01 02 03 04 05 06 07 08 09 10 11 12 13 14 15 16 17 18 19



20 21 22 23 24 25 26 27 28 29 30 31 32 33 34 35 36 37 38 39



Letras/números/signos

00 01 02 03 04 05 06 07 08 09 10 11 12 13 14 15 16 17 18 19 20 21 22 23 24 25

A B C D E F G H I J K L M N O P Q R S T U V W X Y Z

26 27 28 29 30 31 32 33 34 35 36 37 38 39 40 41 42 43 44 45 46 47 48 49 50 51

a b c d e f g h i j k l m n o p q r s t u v w x y z

52 53 54 55 56 57 58 59 60 61 62 63 64 65 66 67 68 69 70 71 72 73 74 75

1 2 3 4 5 6 7 8 9 0 @ ! ? & □ □ □ □ □ □ □ □ / : ;

76 77 78 79 80 81 82 83 84 85 86 87 88 89 90 91 92 93 94 95 96 97 98 99

À Á Â ã ä å è é ê ë Ç æ ç ì Ñ ñ Ò ø ò ö ø Ù ù ü

## “NOTES DE SECURITE IMPORTANTES”

Lorsque vous utilisez un appareil électrique, des précautions élémentaires doivent toujours être suivies, comme celles-ci. Lisez attentivement ces instructions avant d'utiliser cette machine à coudre.

### “DANGER \_\_\_\_ Pour réduire le risque d'électrocution:”


1. L'appareil ne doit jamais être laissé sans surveillance une fois branché.
2. Toujours débrancher cet appareil du secteur immédiatement après utilisation et avant de le nettoyer.

### “ATTENTION \_\_\_\_ Pour les risques de brûlure, électrocutions et de blessures:”

1. Ne pas prendre la machine domestique pour un jouet. La plus grande prudence est de mise quand la machine est utilisée par des enfants ou quand elle se trouve à leur proximité. Cette machine à coudre peut être utilisée par des enfants âgés de 8 ans et plus ainsi que par les personnes ayant des capacités physiques, sensorielles ou mentales réduites, ou le manque d'expérience et de connaissances seulement si elles ont été formées et ont reçues les instructions concernant l'utilisation de la machine à coudre de manière sûre et comprendre les risques encourus. Les enfants ne doivent pas jouer avec la machine à coudre. Le nettoyage et l'entretien ne doit pas être fait par des enfants sans surveillance.
2. N'utiliser cet appareil que dans le cadre de ses fonctions, mentionnées dans le présent manuel. N'utiliser que les pièces fournies ou recommandées par le fabricant dans ce manuel.
3. Ne pas utiliser cet appareil si une de ses prises ou cordons est endommagée, ou s'il ne fonctionne pas correctement. S'il est tombé, a été endommagé, tombé dans l'eau, retournez l'appareil auprès de votre revendeur le plus proche pour une réparation, ou une vérification technique ou électrique.
4. Ne jamais utiliser cet appareil dans un lieu dépourvu d'aération. Maintenez une ventilation suffisante autour de la machine et du rhéostat et éviter la poussière et les chutes de tissus aux alentours des sources d'aération de la machine.
5. Eloigner vos doigts des pièces mobiles de la machine. Faites particulièrement attention aux mouvements de l'aiguille.
6. Toujours utiliser la plaque aiguille appropriée. Un plaque non appropriée peut faire casser l'aiguille.
7. Ne pas utiliser d'aiguilles courbes.
8. Ne pas tirer ou pousser le tissu lorsque vous cousez., cela pourrait abîmer, voire casser l'aiguille.
9. Mettre la machine à coudre hors tension « O » avant de faire tout réglage dans la zone de l'aiguille, comme enfiler ou remplacer l'aiguille, enfiler le fil de la canette ou remplacer le pied presseur.
10. Débranchez toujours votre machine lorsque vous ôtez le capot, lorsque vous la nettoyez, ou pour tout autre manipulation mentionnée dans le manuel d'instruction.
11. Ne jamais laisser d'objet entrer dans les ouvertures de la machine.
12. Ne pas utiliser à l'extérieur.
13. Ne pas utiliser lorsqu'un aérosol a été pulvérisé, ou lorsque de l'oxygène a été administré.
14. Avant de débrancher la machine, mettre l'interrupteur en position éteint (“O”).
15. Ne pas débrancher en tirant sur le cordon. Pour débrancher, tenir la prise, pas le cordon.
16. En cas de non-utilisation, l'appareil doit, en principe, être séparé du réseau en retirant la prise.
17. Si le cordon spécial de cet appareil est endommagé, il doit être remplacé par votre agent autorisé le plus proche ou dans un centre de service.
18. Cette machine est équipée d'une double isolation (sauf aux USA / au CANADA). N'employer que des pièces de rechange originales. Se reporter aux indications pour la remise en état des produits à isolation double.

## “ENTRETIEN DES PRODUITS A DOUBLE ISOLATION (Excepté USA / Canada)”

Un produit à double isolation est équipé de deux isolations au lieu d'une mise à la terre. La mise à la terre n'est pas prévue sur un produit à double isolation et ne devrait donc pas être employée. L'entretien d'un produit à double isolation qui exige de grands soins et des connaissances poussées sur le système, doit donc être réalisé seulement par du personnel qualifié. N'employer que des pièces de rechange originales pour l'entretien et la réparation. Un produit à double isolation est désigné de la manière suivante: “Isolation double” ou “A double isolement”.

Le symbole  peut également caractériser un tel produit.

## “PRIERE DE CONSERVER SOIGNEUSEMENT LES PRESCRIPTIONS DE SECURITE”

“Cette machine à coudre est destinée à un usage domestique uniquement. ”

## Consignes de sécurité

Merci d'avoir fait l'achat d'une machine à coudre JUKI.



Avant l'utilisation, veuillez lire les consignes de sécurité sous la section « Pour utiliser la machine à coudre en toute sécurité » du Manuel d'instructions, afin de comprendre parfaitement les fonctions et procédures d'utilisation de la machine à coudre, ainsi que pour prolonger sa durée de service.

Après avoir lu le Manuel d'instructions, veuillez à le conserver, avec la garantie, de façon à pouvoir le consulter en tout temps.











## Pour utiliser la machine à coudre en toute sécurité

Les symboles et icônes compris dans le Manuel d'instructions ou apposés sur la machine à coudre ont pour but d'assurer l'utilisation sécuritaire de la machine à coudre et de protéger l'utilisateur et autres personnes contre les risques éventuels de blessure.

Les symboles de mise en garde sont utilisés aux diverses fins décrites ci-dessous.

 <b>AVERTISSEMENT</b>	Indique un risque éventuel de décès ou de blessure grave en cas d'ignorance de ce symbole et d'une mauvaise utilisation de la machine à coudre.
 <b>ATTENTION</b>	Indique une utilisation qui comporte un risque éventuel de blessure et/ou de dommages matériels en cas d'ignorance de ce symbole et d'une mauvaise utilisation de la machine à coudre.

La signification des icônes est telle que décrite ci-dessous.

	Mise en garde contre un danger non spécifié		Risque de choc électrique		Risque d'incendie		Risque de blessure aux mains, etc.
	Interdiction non spécifiée		Démontage/ modification interdit		Ne pas mettre les doigts sous l'aiguille		Ne pas huiler, etc
	Comportement généralement requis		Débrancher la fiche d'alimentation				

## **! AVERTISSEMENT**

Pour combiner l'aiguille en fonction de la matière et du fil, reporter vous à la section «remplacement de l'aiguille»

Si l'aiguille ou le fil n'est bien adapté au tissu, comme dans le cas d'un tissu très lourd (p. ex. du jean) cousu avec une aiguille mince (n° 11 ou supérieure), l'aiguille risquera de se casser et de causer une blessure.

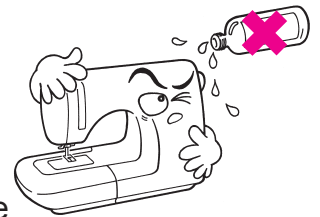
### **Autres précautions à prendre**

- Ne pas exposer la machine directement au soleil ou dans une atmosphère humide.



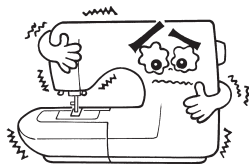
- Ne pas utiliser de détergents ou alcool pour nettoyer la machine.

Si la machine à coudre est sale, mettre un peu de détergent neutre sur un linge doux, et le passer soigneusement sur la machine à coudre pour enlever les taches.



Il faut savoir que l'état suivant peut avoir lieu du fait que la machine intègre des semi-conducteurs et des circuits électroniques.

- Penser à utiliser la machine à coudre dans une plage de température de 5 °C à 40 °C. À température excessivement basse, la machine risque de ne pas fonctionner normalement.



- La machine peut s'arrêter et se mettre en sécurité en cas de surchauffe lorsque la machine coud lentement et depuis longtemps.

Au bout de 10 minutes la machine sera de nouveau opérationnelle.



\* La température de fonctionnement de la machine à coudre est de 5 °C à 40 °C. Ne pas utiliser la machine à coudre sous la lumière solaire directe, près de sources de flammes telles qu'un poêle ou une chandelle, ni dans un emplacement humide. Cela risquerait de faire monter la température à l'intérieur de la machine à coudre ou de faire fondre la gaine du cordon d'alimentation, causant un incendie ou un choc électrique.

# TABLES DES MATIERES

Notes de sécurité importantes .....	1~3
Principaux éléments .....	5
Accessories .....	6

## Opérations simples

Fonction des différents boutons .....	7
Branchement .....	8
Variateur de vitesse .....	9
Levier relève pied presseur .....	9
Nom et fonction des autres boutons de commande .....	10, 11
Changement du pied presseur .....	12, 13
Préparation du fil de la canette .....	14, 15
Préparation du fil de l'aiguille .....	16, 17
Enfilage du fil de l'aiguille	
Enfilage automatique du fil de l'aiguille	
Tirez le fil de la canette	
Installation de l'aiguille .....	18
Tableau des tissus, fils et aiguilles .....	18
Comment régler la tension du fil .....	19
Comment abaisser la griffe .....	19
Sélectionner un programme .....	20, 21

## Programmes usuels

Point droit .....	22~26
Comment utiliser les lignes de guidage sur la plaque	
Comment changer la position de l'aiguille	
Comment changer la longueur du point	
Point de sécurité automatique et coupefil	
Autres programmes point droit	
Point zigzag .....	26
Surfilage .....	27
Point invisible .....	28, 29
Boutonniers .....	30~33
Boutonnière standard	
Boutonnière à oeillet	
Boutonnière avec fil cordonnet	
Changement de la largeur de la boutonnière	
Changement de la densité du point	
Point d'arrêt .....	34
Insertion fermeture à glissière .....	35, 36
Insertion latérale	
Insertion bord à bord	
Fronçage et bouillonné .....	37
Pintucking .....	37
Bordage .....	38
Points décoratif et programme un-point .....	38
Point feston .....	39

## Patchwork matelassage

Quilt .....	39
Motifs Appliqués .....	40

## Points décoratifs

Lettres et programmes un-point .....	41~43
Préparation avant la couture .....	41
Test de couture .....	41
Sélectionner un programme (lettres) .....	42, 43
Exécuter un programme (lettres) .....	43
Fils superflux .....	43
Comment coudre des programmes combinés en continu .....	44

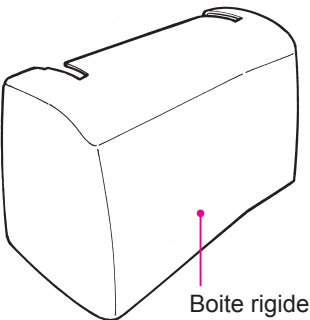
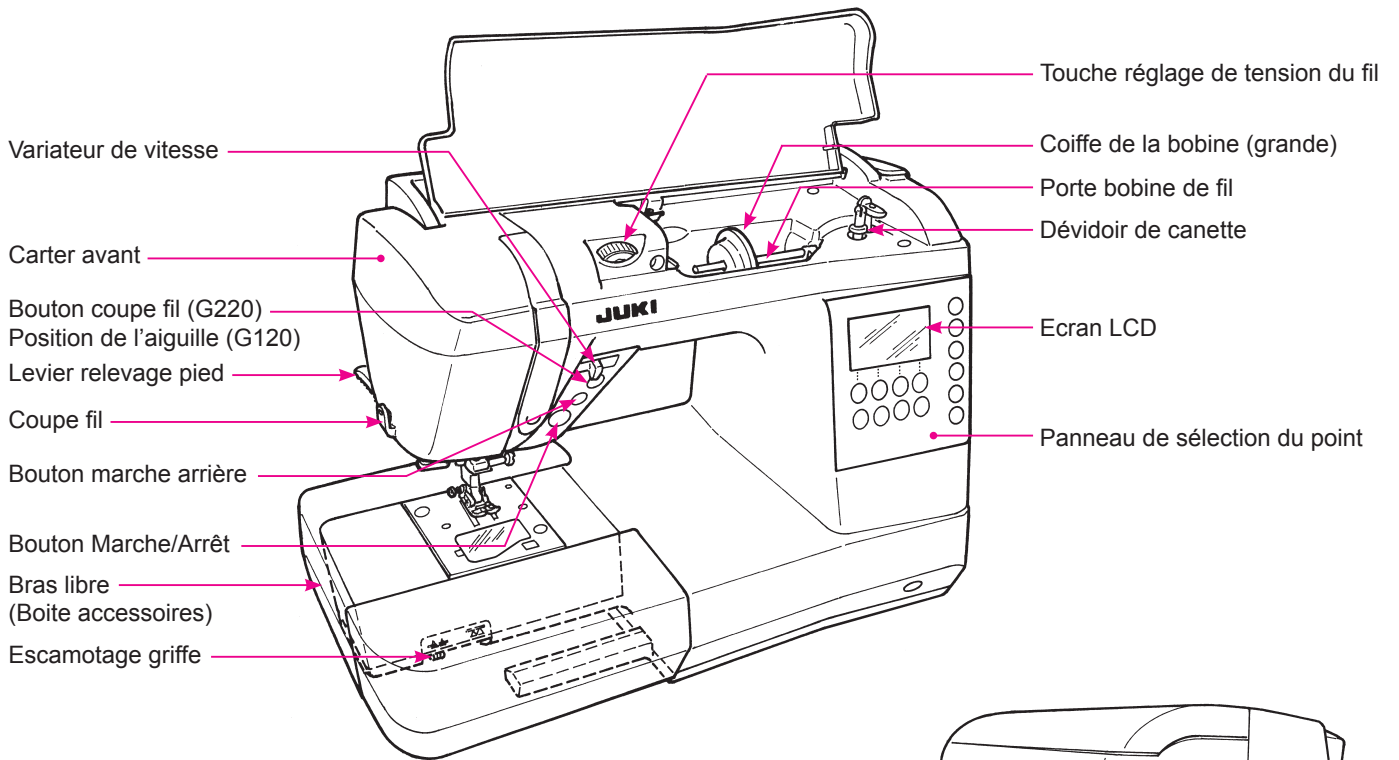
## Accessoire en option

Accessoires en option .....	44, 45
Installation de la rallonge de table .....	46
Guide matelassage .....	46
Quilting avec effet relief .....	47
Quilting (point droit) .....	47
Quilting (libre) .....	48

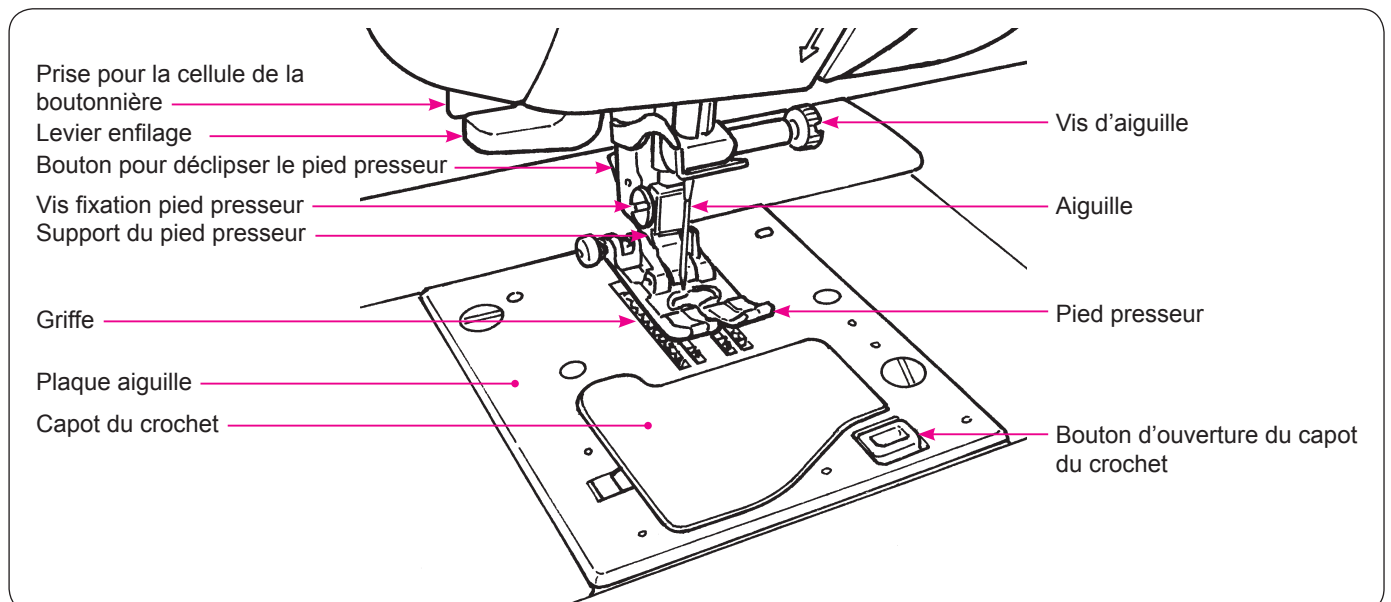
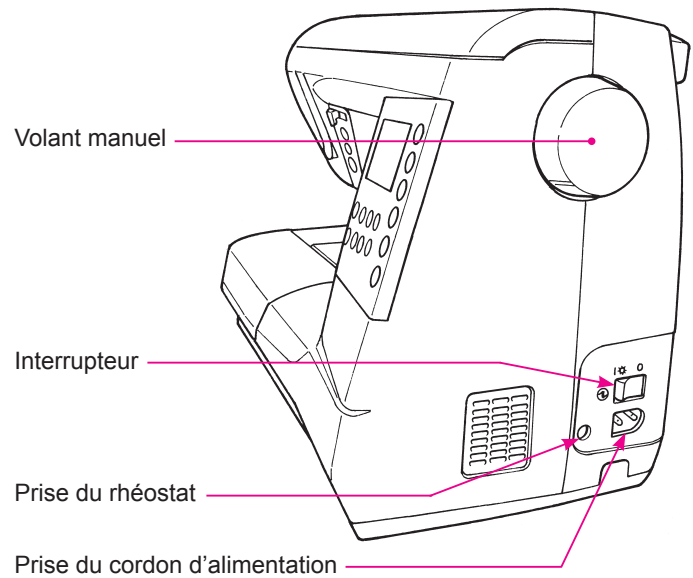
Entretien de la machine .....	49
Problèmes éventuels et remèdes simples .....	50, 51
Programmes pour .....	52
Caractéristiques .....	dernière page



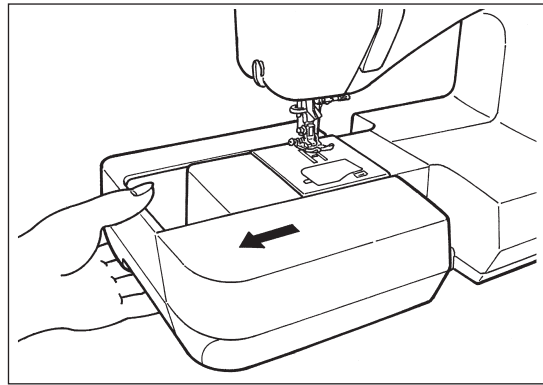
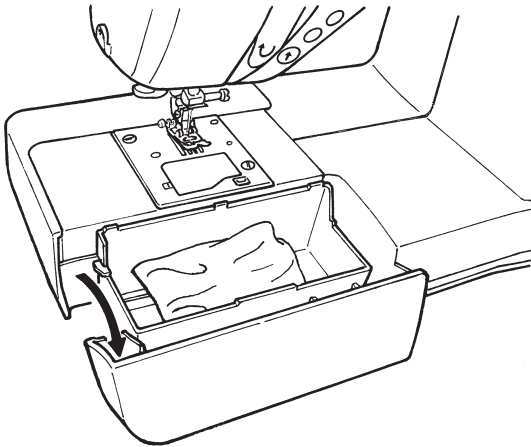
# Principaux éléments



\* Ne mettre aucun objet lourd sur la boîte et sur la rallonge de table.

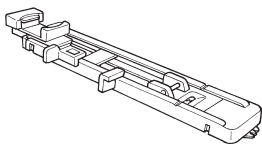


# Accessoires



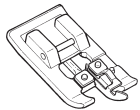
Pour ôter le plateau de travail, tirez vers la gauche.

## • A l'intérieur de la boîte d'accessoires.

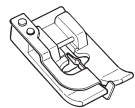


Pied pour boutonnière manuelle (I)

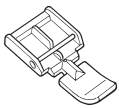
Pied presseur pour boutonnière (E)



Pied presseur pour surfiler (C)



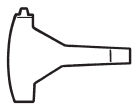
Pied presseur point invisible (D)



Pied fermeture à glissière (B)



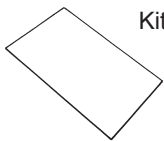
Canette (3)



Tournevis en T



Découpeur / Brosse de nettoyage



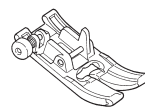
Kit d'aiguilles

HA X 1 # 11 (1)  
# 14 (1)  
# 16 (1)  
for knit # 11 (1)



Coiffe (Petite)

## • Sur la machine



Pied presseur standard (A)



Canette (1)

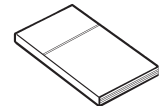


Coiffe (grande)

## • Placé au polystyrène



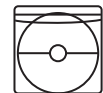
Rhéostat (référence; 4C-339G)



Manuel d'instruction (Ce manuel)

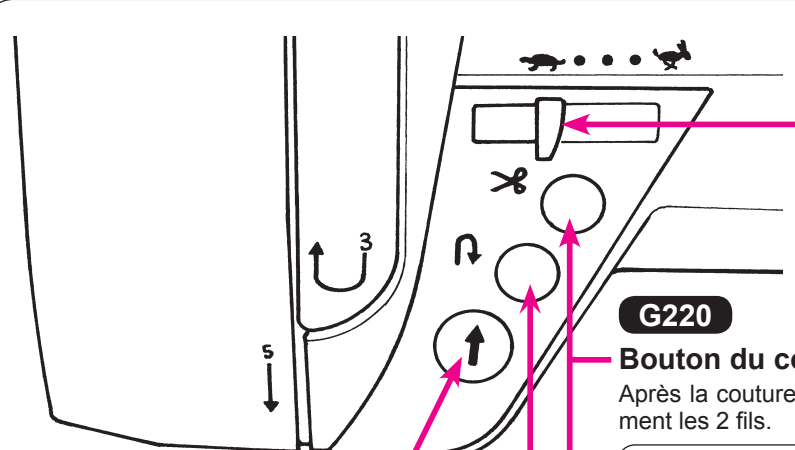


Cordon d'alimentation



DVD du mode d'emploi

## Fonction des différents boutons de commande



**Variateur de vitesse**  
Pendant le travail, la vitesse peut être ajustée.

**G220**

**Bouton du coupe-fil**  
Après la couture, appuyez sur ce bouton pour couper automatiquement les 2 fils.

**Note pour le coupe-fil:**

1. Ne pas utiliser un fil de diamètre supérieur à No.30.
2. Après la coupe, le point peut être fait sans tirer le fil de la canette.
3. Après avoir utilisé le coupe fil, si vous tirez encore le fil de la canette et le placez avec le fil de l'aiguille sous le pied, vous évitez ainsi que les fils s'em mêlent au verso du tissu.
4. Nettoyez régulièrement la machine (voir page 49), la poussière ou les déchets dans le système du coupe-fil peuvent occasionner un mauvais fonctionnement.

**G120**

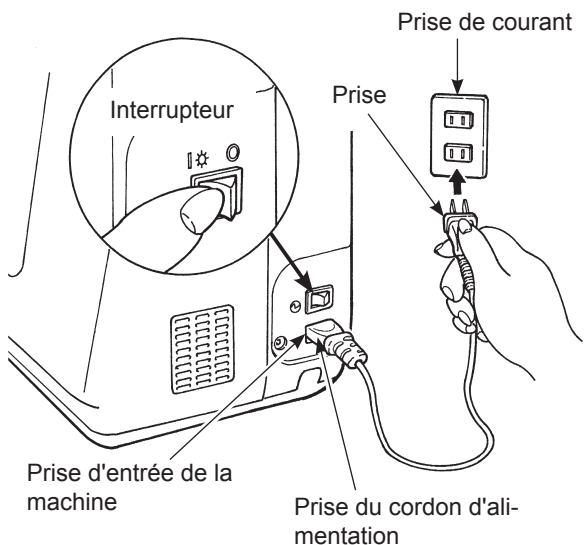
**Aiguille haute/basse**  
Quand la machine s'arrête, appuyez sur ce bouton pour changer la position de l'aiguille. (Quand l'aiguille est en position haute, elle redescend et inversement.)  
**⚠** Même quand le pied presseur est en position haute, l'aiguille peut bouger en position haute ou basse.

**Bouton Marche/Arrêt**  
En appuyant sur ce bouton, la machine va commencer à coudre doucement jusqu'à la vitesse déterminée par le variateur de vitesse. En appuyant encore sur ce bouton, la machine s'arrête avec l'aiguille en position basse. La couleur des boutons indique.  
**Vert:** Prêt à démarrer et/ou en cours de couture  
**Rouge:** Pas prêt à démarrer (En appuyant sur le bouton rouge, l'aiguille avance point par point.)  
**Orange:** La machine est en position de bobinage

**Pendant le travail, la vitesse peut être ajustée**  
En appuyant sur ce bouton, la machine va coudre en marche arrière (point de sécurité).

# Branchement à la prise de courant

**⚠ Attention** • Débrancher la prise et mettre en position off (position "O") lorsque la machine n'est pas en fonction. Sinon, il y a risque d'électrocution et/ou de feu.

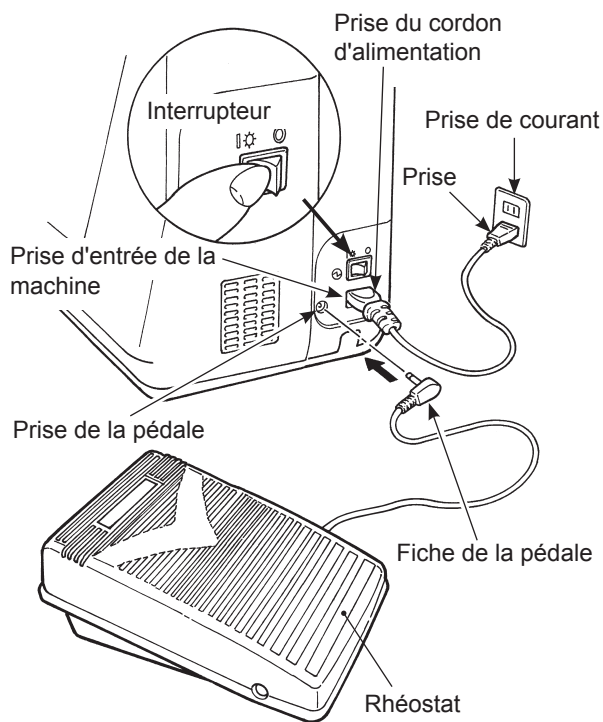


## ★ Emploi du bouton start/stop au lieu du rhéostat:

1. Eteindre l'interrupteur (sélectionner "O").
2. Insérer le cable de connexion dans la prise de la machine.
3. Insérer la fiche dans la prise.
4. Allumer l'interrupteur (sélectionner "I").

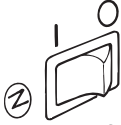
## Attention (POUR LES ETATS-UNIS ET LE CANADA SEULEMENT)

Cet appareil à une prise polarisée (une des fiches est plus large que l'autre). Afin de réduire tout risque d'électrocution cette prise ne peut se brancher que d'une seule manière. Si la prise ne se branche pas correctement ou si elle ne s'enfonce pas complètement, retournez là. Si le branchement ne va toujours pas, contactez un électricien spécialisé qui installera la prise qui convient. Ne surtout pas modifier la prise d'origine.

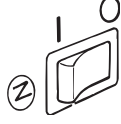


## ★ Utilisation de la pédale:

1. Eteindre la machine (mettre l'interrupteur sur "O")
  2. Insérer la fiche de la pédale dans la prise.
  3. Insérer le connecteur du cordon dans la prise d'entrée de la machine.
  4. Insérer la fiche dans la prise de courant.
  5. Allumer la machine. (mettre l'interrupteur sur "I")
- \* Quand la pédale est branchée, le bouton start/stop ne peut être utilisé pour faire démarrer la couture.  
 Bouton Start: Impossible de démarrer la couture.  
 Bouton Stop: Démarrage possible de la couture.



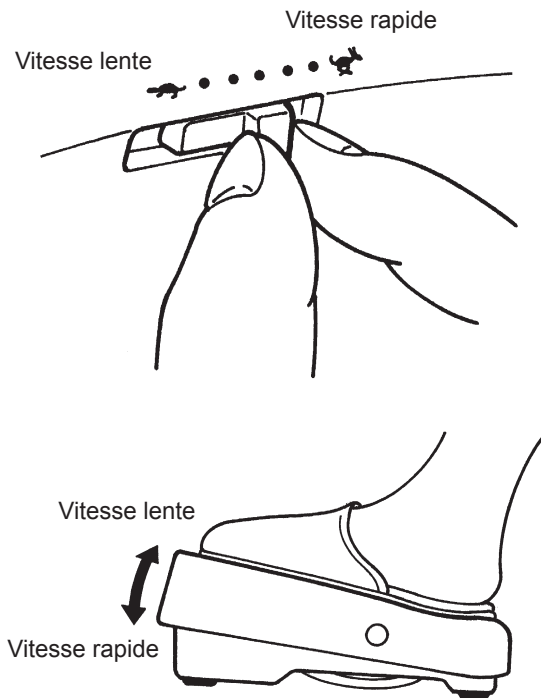
**ON**



**OFF**

★ **Fonctionnement de l'interrupteur:**  
 Eteindre la machine, mettre l'interrupteur sur "O".  
 Allumer la machine, mettre l'interrupteur sur "I".

## Réglage de la vitesse



### ★ Variateur de vitesse

La vitesse maximum peut être librement sélectionnée grâce au variateur de vitesse.

### ★ Rhéostat

Pour faire démarrer la machine appuyez sur la pédale.

Plus vous appuyez, plus vite la machine coudra.

Le variateur de vitesse programmera la vitesse maximum.

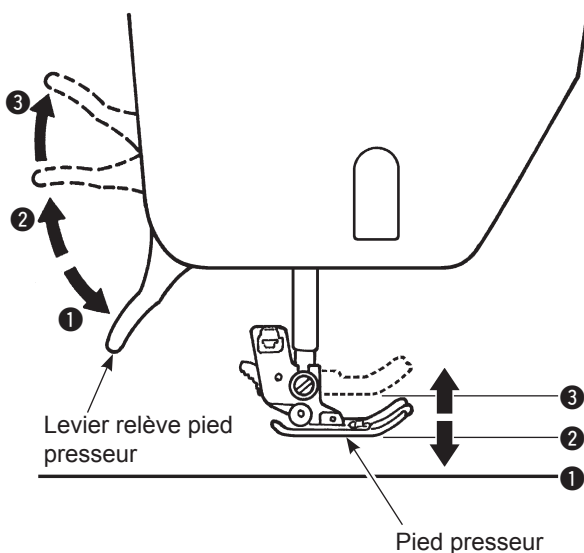
**Pression forte → vitesse la plus rapide**

**Pression faible → vitesse la plus lente**

\* Toujours nettoyer le rhéostat.

Il est important de ne jamais placer d'objet sur le rhéostat cela peut causer un dommage à l'utilisateur ou bien occasionné un mauvais fonctionnement.

## Levier relève pied presseur



Le pied presseur peut être levé ou baissé en utilisant le levier.

① Position basse ..... Le pied presseur doit être en position basse pendant la couture.

② Position standard ..... Position pour retirer la matière et/ou changer de pied presseur.

③ Position extra haute ..... Position pour coudre des matières épaisses.

\* Attention à ce que le pied presseur et l'aiguille ne se gêne pas quand l'aiguille est en position basse et que le pied presseur est en position extra haute.

# Nom et fonction des autres boutons de commande

## ■ Boutons et écran

**G220**

**Position arrêt de l'aiguille**

	Arrêt aiguille en position haute
	Arrêt aiguille en position basse

**Type de pied presseur à utiliser**

**Numéro du programme**

**Largeur Zigzag**

**Longueur du point**

**1 Bouton sélection prog.**

**2 Touche de réglage du zig-zag**

**3 Touche de réglage de la longueur de point**

**Sélection des programmes**

	Programmes usuels
	Programmes un-point
	Lettres

**4 Bouton point de sécurité et coupe fil automatique**

**5 Touche position haute/basse de l'aiguille / Bouton inversement position de l'aiguille**

**6 Bouton mode de sélection des programmes**

**7 Touche de mémoire**

**8 Bouton annulation**

**9 Touche de réglage de programme**

**G120**

**Position arrêt de l'aiguille**

	Arrêt aiguille en position haute
	Arrêt aiguille en position basse

**Type de pied presseur à utiliser**

**Numéro du programme**

**Largeur Zigzag**

**Longueur du point**

**1 Bouton sélection prog.**

**2 Touche de réglage du zig-zag**

**3 Touche de réglage de la longueur de point**

**Sélection des programmes**

	Programmes usuels
	Programmes un-point
	Lettres

**4 Point de sécurité automatique**

**5 Bouton inversement position de l'aiguille**

**6 Bouton mode de sélection des programmes**





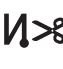


















**7 Touche de mémoire**

**8 Bouton annulation**

**9 Touche de réglage de programme**



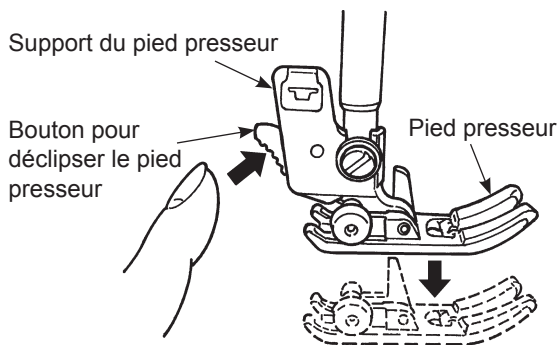
## ■ Nom et fonctions des boutons

1		<b>Bouton sélection prog.</b>	Choix de programme. Vers la gauche pour les dizaines. Vers la droite pour les unités.
2		<b>Touche de réglage du zig-zag</b>	Pour changer la largeur du zig-zag et la position de l'aiguille.
3		<b>Touche de réglage de la longueur de point</b>	Pour le changement de la longueur du point.
4	<b>G220</b> 	<b>Bouton point de sécurité et coupe fil automatique</b>	En appuyant, le symbole “  ” apparaîtra à l'écran. La machine fera un point de sécurité au départ et à la fin de la couture et les 2 fils seront coupés.
	<b>G120</b> 	<b>Point de sécurité automatique</b>	En appuyant, le symbole “  ” apparaîtra à l'écran. La machine fera automatiquement des points de sécurité au début et à la fin de la couture.
5	<b>G220</b> 	<b>Touche position haute/basse de l'aiguille / Bouton inversement position de l'aiguille</b>	En cours de travail et lorsque la machine est à l'arrêt, appuyez sur cette touche afin de changer instantanément la position de l'aiguille en position haute/basse. Quand on appuie et que l'aiguille est en position haute, alors l'aiguille se positionnera en position basse et inversement. Lorsque que l'on appuie de façon continue sur cette touche, elle est programmable et vous pouvez choisir la position d'arrêt de l'aiguille soit haute, soit basse. En appuyant, soit le symbole “  ” ou “  ” s'affichera à l'écran. Quand on coud avec le symbole “  ” l'aiguille s'arrête en position haute. Quand on coud avec le symbole “  ” l'aiguille s'arrête en position basse.
	<b>G120</b> 	<b>Bouton inversement position de l'aiguille</b>	En appuyant, soit le symbole “  ” ou “  ” s'affichera à l'écran. Quand on coud avec le symbole “  ” l'aiguille s'arrête en position haute. Quand on coud avec le symbole “  ” l'aiguille s'arrête en position basse.
6		<b>Bouton mode de sélection des programmes</b>	On l'utilise pour changer le mode de sélection du programme. Programmes usuels  , Programmes un-point  , Lettres <b>ABC</b>
7	<b>MEM</b> 	<b>Touche de mémoire</b>	C'est utilisé pour enregistrer les lettres ou les programmes un-point dans la mémoire.
8	<b>CLR</b> 	<b>Bouton annulation</b>	C'est utilisé pour supprimer le programme sélectionné. Quand on appuie juste une fois, le programme sélectionné sera supprimé quand on appuie de façon continue tous les programmes enregistrés seront effacés.
9		<b>Touche de réglage de programme</b>	On l'utilise pour ajuster la forme des programmes. (voir page 41)

# Changement du pied presseur

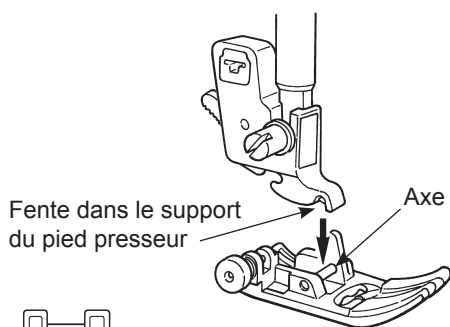
## ■ Installation et désinstallation du pied presseur

**⚠ Attention** Éteindre la machine avant de remplacer le pied presseur.



### ★ Désinstallation du pied presseur

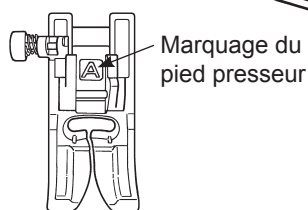
1. Mettre l'aiguille et le pied en position haute.
2. Appuyez sur le bouton pour déclipser le pied presseur.



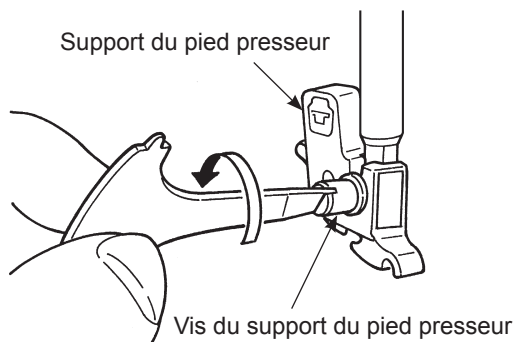
### ★ Installation du pied presseur

Alignez l'axe du pied presseur et la fente du support du pied presseur. Puis baissez le support du pied presseur avec le levier qui permet de lever le pied presseur.

\* Chaque pied à un marquage. Utilisez le pied approprié pour chaque programme de couture.

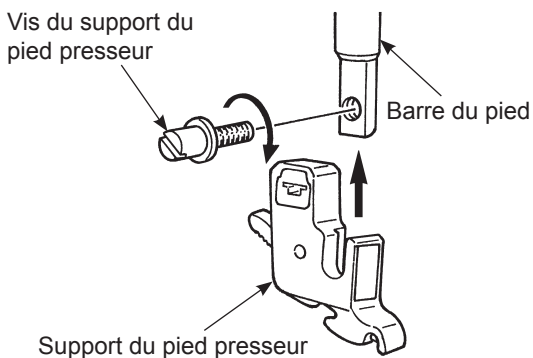


## ■ Installation et désinstallation du support du pied presseur



### ★ Désinstallation du support du pied presseur

1. Mettre l'aiguille en position haute ainsi que le levier du pied.
2. Dévissez les vis du support du pied presseur vers la gauche et otez le support du pied presseur.



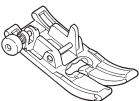
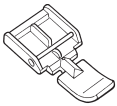
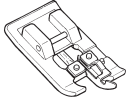
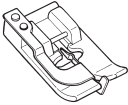
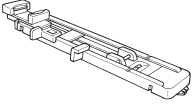

### ★ Installation du support du pied presseur

Alignez le trou de la vis de la barre du pied avec le trou du support du pied presseur (longue fente). Vissez fermement la vis vers la droite.

## ■ Les types de pieds et leur application

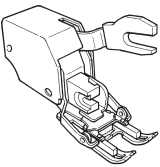
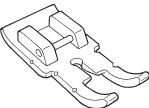
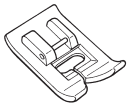
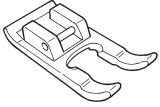
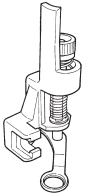
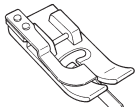
Marquage sur le pied presseur



	<b>Pied presseur standard</b>	<b>A</b>	Pour les coutures droites ou zigzag. Utilisez ce pied pour coudre des matières épaisses.
	<b>Pied fermeture à glissière</b>	<b>B</b>	Pour la pose de fermeture à glissière.
	<b>Pied presseur surjet</b>	<b>C</b>	Ce pied est utilisé exclusivement pour surjeter le bord d'un tissu pour éviter l'éfilochage.
	<b>Pied presseur point invisible</b>	<b>D</b>	Pour réaliser des points invisibles sur des ourlets de blouses et jupes, ou manches.
	<b>Pied presseur pour boutonnière</b>	<b>E</b>	Pour la couture de boutonnière automatique.
	<b>Pied presseur pour boutonnière manuelle</b>	<b>I</b>	Pour coudre des points décoratifs, lettres and bartacks.

FRANÇAIS

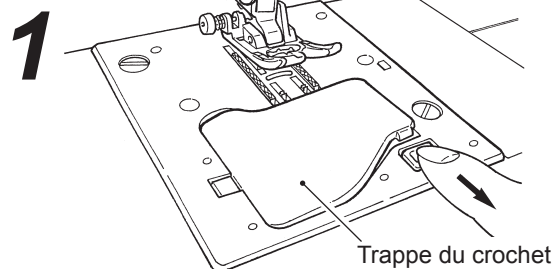
## ★ Pied presseur en option

	<b>Pied entraineur</b>	<b>N</b>	Pour travailler les matières "difficile-à-entraîner" comme le tricot, jersey, vinyl, cuir synthétique et cuir ou quilting.
	<b>Pied presseur patchwork</b>	<b>P</b>	Pour réaliser des patchwork. Il y a deux lignes de couture, 1/4 de pouce et 1/8 de pouce du centre de l'aiguille.
	<b>Pied presseur lisse</b>	<b>T</b>	Pour travailler les matières adhérente comme le vinyl et les matières délicates comme le satin.
	<b>Pied presseur ouvert</b>	<b>O</b>	Pour réaliser des coutures décoratives. (La partie avant du pied est ouverte pour une meilleure visibilité)
	<b>Pied presseur matelassage</b>	<b>Q</b>	Pour réaliser du matelassage. (Réglage machine : Point droit et aiguille en position centrale)
	<b>Pied presseur avec guide</b>	<b>R</b>	Pour le patchwork, ou bien coudre au centre pour joindre 2 pièces de tissu en utilisant le guide au centre du pied presseur. * Régler la position de l'aiguille en ajustant la largeur du zigzag.

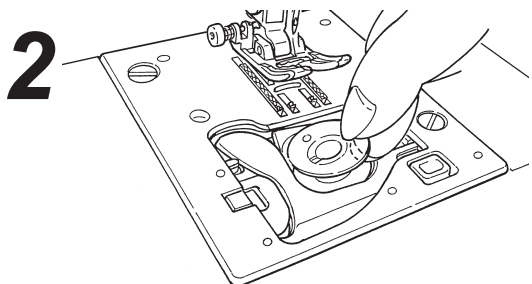
# Préparation du dévidoir à canette

**⚠ Attention** Lorsque vous otez ou mettez la canette dans la boîte à canette, la machine doit être éteinte (position "O").

## ■ Otez la canette



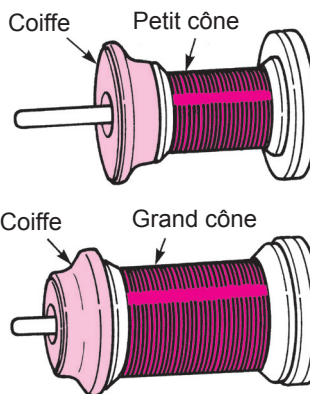
● Ouvrir la trappe du crochet.



● Otez la canette.

- \* Si la canette n'a pas assez de fil, il ne faut pas l'utiliser car le fil risque de s'emmêler.
- \* Utilisez seulement les canettes préconisées pour votre machine. Toute autre canette peut occasionner un mauvais fonctionnement.

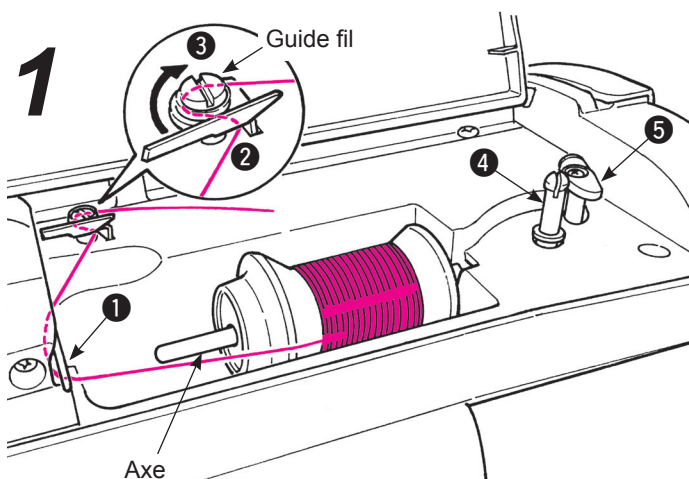
## ■ Installation du cône de fil



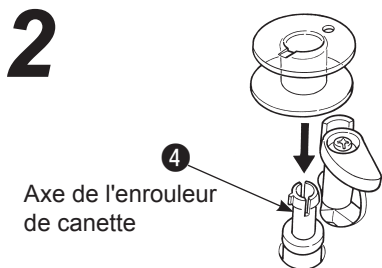
● Placez un cône de fil sur l'axe du support puis mettez en bout d'axe la coiffe appropriée.

- \* Ne pas utiliser un cône avec peu de fil. Cela peut faire que le fil s'emmêle et/ou le fil pourra sortir du chas de l'aiguille au moment du démarrage de la couture.

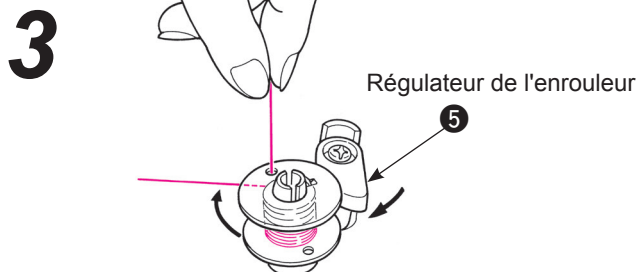
## ■ Enrouleur de canette



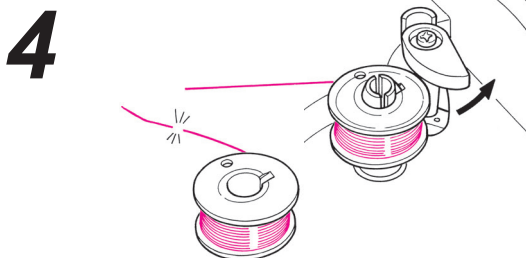
● Enfiler le guidefil ①, puis les guides fil ② et ③ (guides fil qui sont encerclés) pour le bobinage de la canette.



● Installez la canette sur l'axe de l'enrouleur de canette ④.



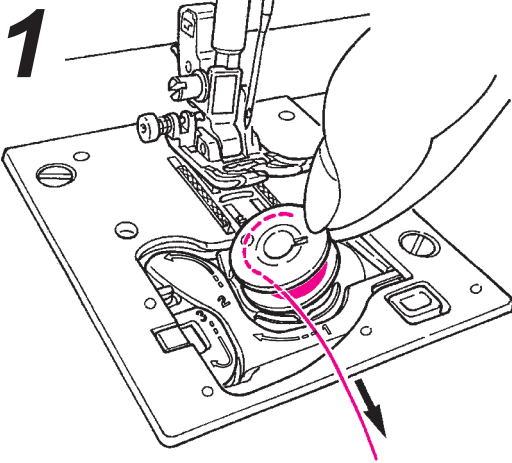
● Appuyez le regulateur de l'enrouleur ⑤ jusqu'à la canette. Le bouton Start/Stop devient orange. Quand la touche Start/Stop est appuyée, la machine débute l'enroulage du fil de canette.



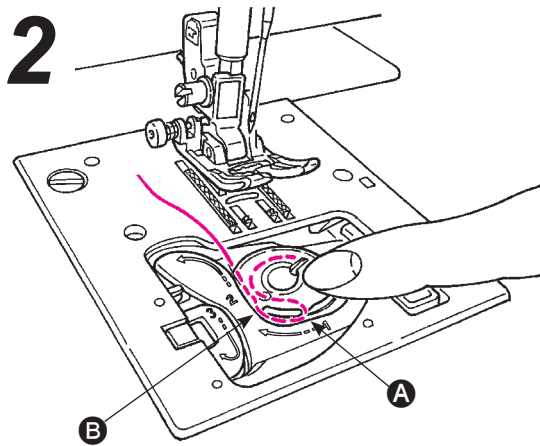
● Quand le bobinage est terminé, l'axe s'arrête automatiquement, le régulateur se déplace vers la droite et revient à sa position d'origine. Otez la canette de l'axe et coupez le fil.

- \* L'enrouleur de canette s'arrêtera automatiquement si le fil s'emmêle.

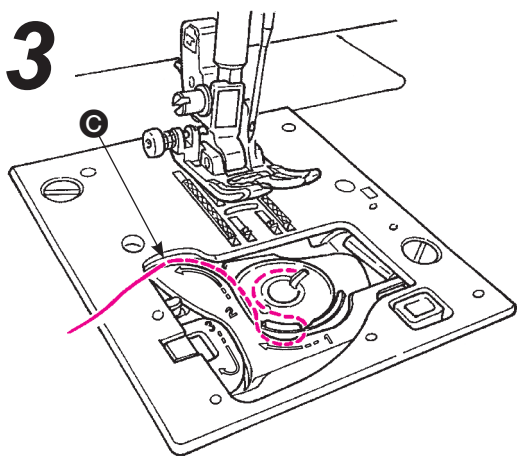
## ■ Installation de la canette



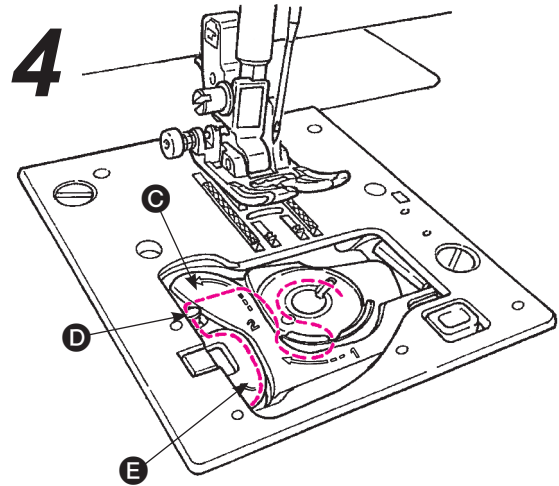
- Mettre la canette dans la boîte à canette.  
\* Placez la canette de telle sorte que le fil se déroule dans le sens inverse des aiguilles d'une montre.



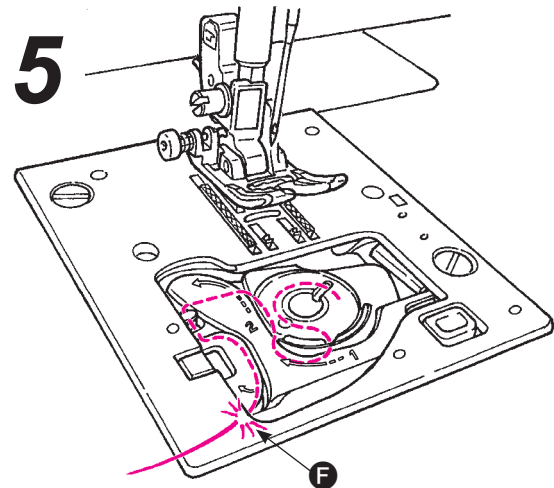
- Passez le fil dans les fentes A et B en tirant sur l'extrémité du fil.  
\* Il est plus facile d'enfiler le fil sur les rainures si la canette est légèrement poussée du doigt.



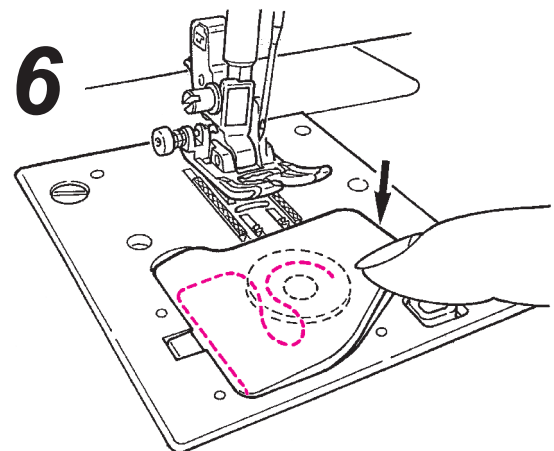
- Enfiler le fil sur le guide C en tirant le fil du côté gauche.



- Enfiler le fil sur le guide D et E, et laisser le fil dessous. (Enfiler d'abord le guide E, et le guide D sera également enfilé.)  
\* Lorsque le fil de canette est tiré, la canette pivote dans le sens inverse des aiguilles d'une montre. Si la canette pivote dans le sens des aiguilles d'une montre, la placer à l'envers.



- Couper le fil avec le coupeur intégré F.



- Fermez la trappe du crochet.

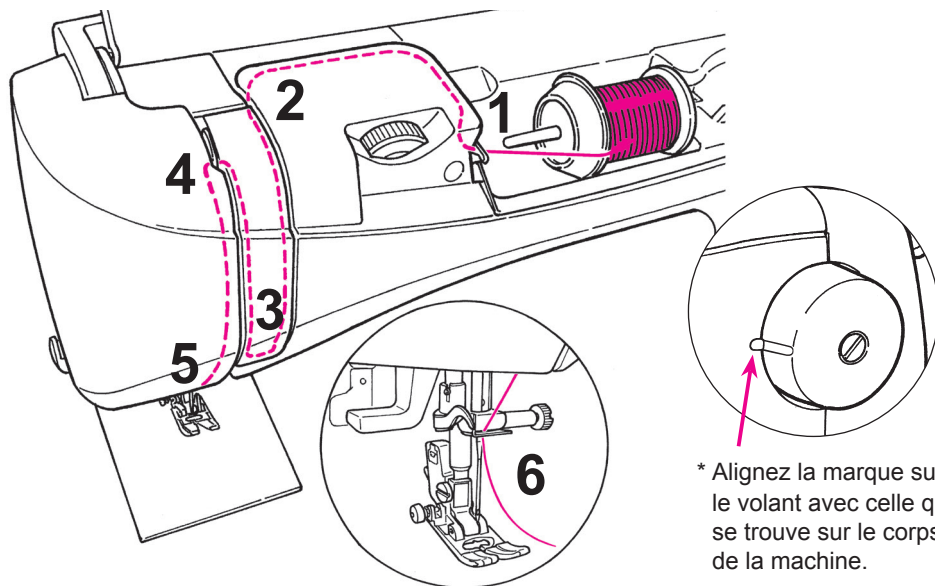
Il est possible de commencer à coudre dans cet état (sans tirer sur le fil de canette), cependant, pour coudre avec le fil de canette tiré, se reporter à « Tirer le fil de la canette » à la page 17.



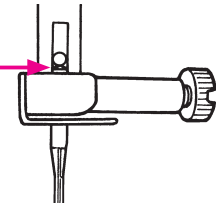
# Préparation du fil de l'aiguille

**⚠ Avertissement** Éteindre la machine avant de bobiner le fil de canette.

## ■ Enfilage du fil de l'aiguille



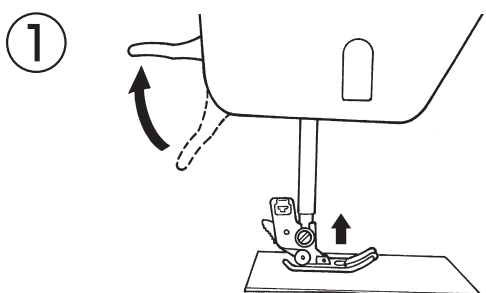
**Note :**  
S'assurez que l'aiguille est bien poussée à fond.



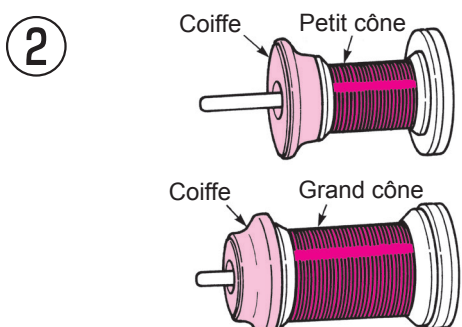
Il n'est pas possible de coudre sconvenablement si l'aiguille est tordue ou mal installée. Cela peut occasionner un mauvais fonctionnement de la machine.

\* Utilisez les aiguilles: No.11-16 et le fil: No.30-90.  
\* Quand on utilise une aiguille, double, l'enfilage automatique du fil de l'aiguille ne peut pas être utilisé.

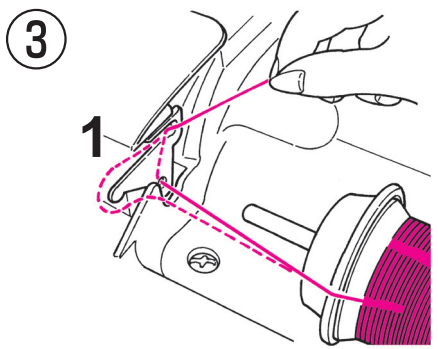
\* Alignez la marque sur le volant avec celle qui se trouve sur le corps de la machine.



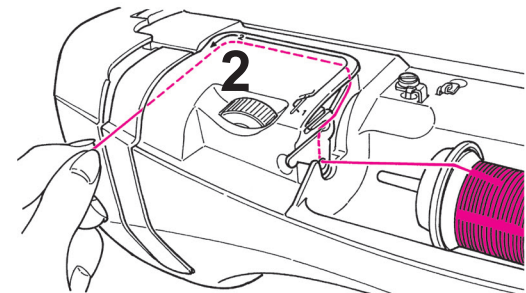
● Soulevez le levier de relevage du pied presseur.



● lacez un cône de fil sur l'axe du porte cône et mettez en bout d'axe une coiffe adaptée au cône.

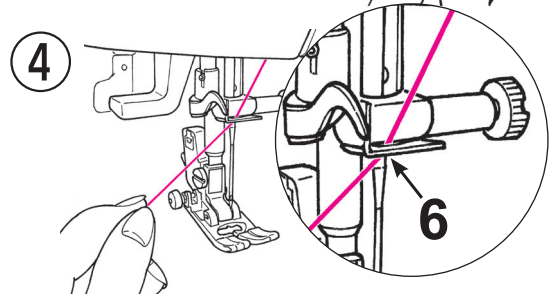
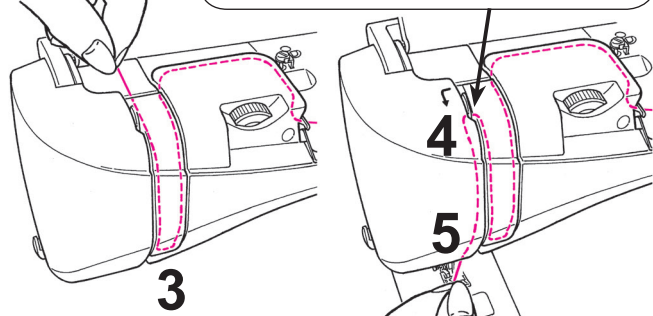


● Enfilez le guide 1.



● Tenir le bout du fil et enfiler conformément au marquage fléché.  
\* Assurez vous que le pied presseur est relevé. Sinon la machine ne sera pas correctement enfilée.

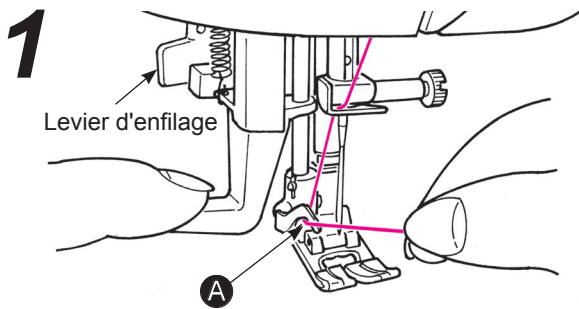
\* Contrôlez que le releveur de fil est correctement enfilé.



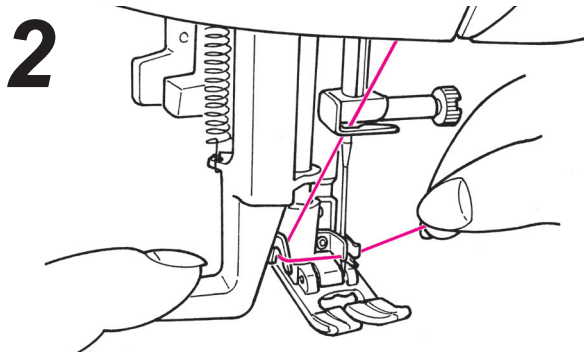
● Enfilez le guide 6 à partir du côté droit.



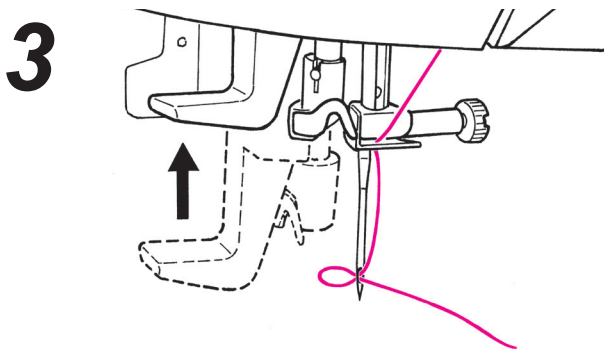
## ■ Enfilage automatique de l'aiguille



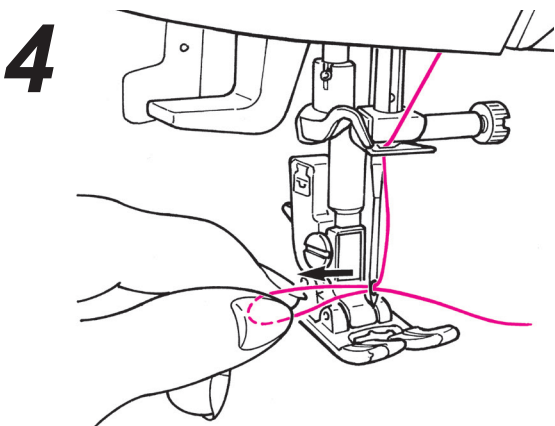
- Baissez le pied presseur.
- Relever l'aiguille. Ensuite, abaisser de moitié l'enfileur d'aiguille (jusqu'à ce qu'il y ait une résistance) et enfilez le fil jusqu'à A.



- Abaissez totalement l'enfileur d'aiguille. Ensuite, enfiler complètement le fil entre les guides. (L'enfileur attrapera le fil à travers le chas de l'aiguille)



- Relâchez le levier d'enfilage et le fil de l'aiguille est enfilé à travers le chas de l'aiguille.

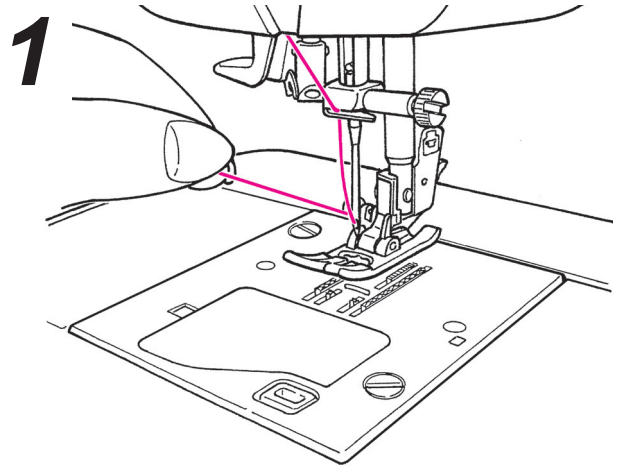


- Tirez le fil vers l'arrière.  
Tirez le fil du chas de l'aiguille d'environ 10 cm.

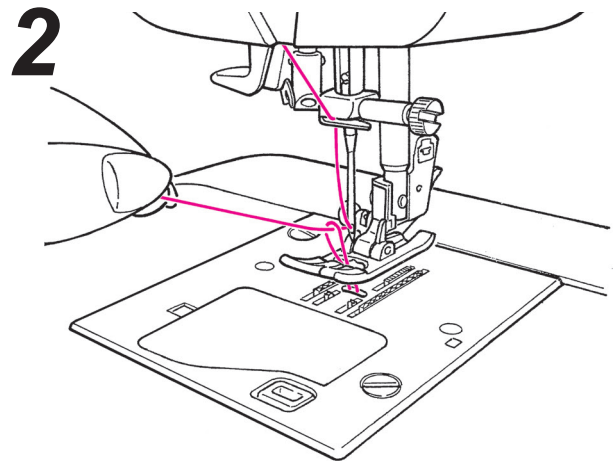
## ■ Tirez le fil de la canette

### Fonctionnement de base :

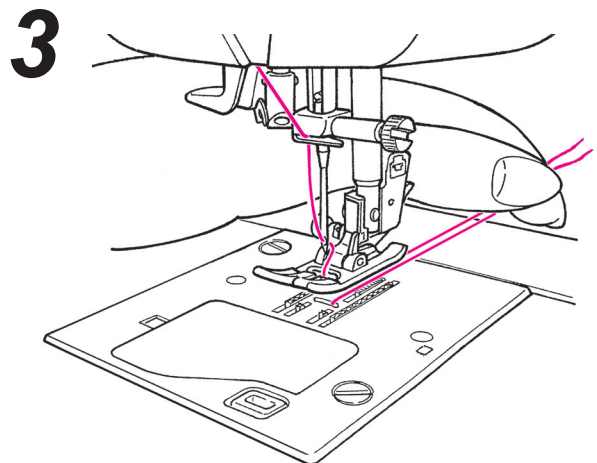
Il est possible de coudre sans tirer le fil de canette, cependant pour coudre avec le fil de canette tiré, suivre les instructions ci-dessous.



- Relevez le pied presseur et tenez légèrement l'extrémité du fil de l'aiguille.



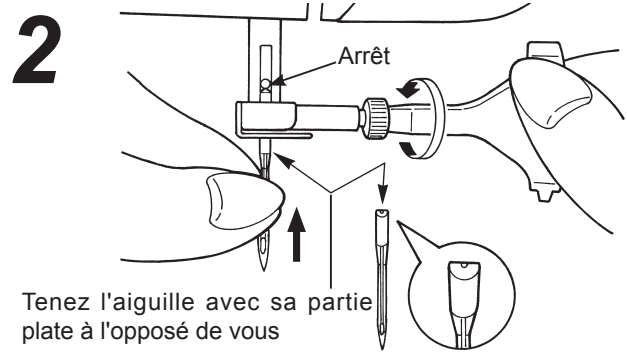
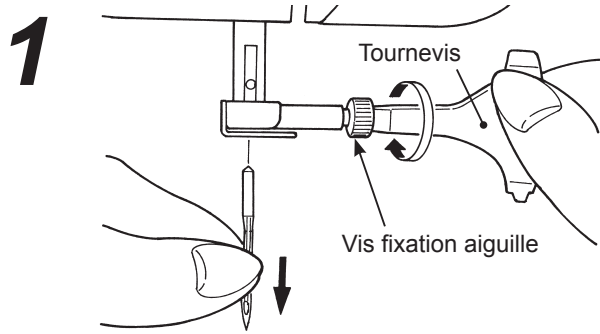
- Tournez la poulie vers vous afin de faire descendre l'aiguille. Le fil de la canette sortira quand vous allez tirer légèrement le fil de l'aiguille.



- Tirez les fils de l'aiguille et de la canette d'environ 10 cm de long et passez-les sous le pied presseur vers l'arrière de la machine.

# Installation de l'aiguille

**⚠ Attention** Éteignez la machine lors du changement de l'aiguille.



Tenez l'aiguille avec sa partie plate à l'opposé de vous

## ● Enlevez l'aiguille

1. Tournez la poulie vers vous jusqu'à ce que l'aiguille arrive à sa position la plus haute et abaissez la pied presseur.
2. Tournez la vis de fixation de l'aiguille 1-2 fois vers vous et ôtez l'aiguille.

## ● Fixation de l'aiguille

**(l'aiguille ne peut pas être insérée si elle n'est correctement positionnée.)**

Tenez l'aiguille avec sa partie plate à l'opposé de vous, et insérez la à fond jusqu'à ce qu'elle bute sur l'arrêt. Puis vissez fermement la vis de fixation de l'aiguille.

## ■ Aiguilles recommandées

Les aiguilles pour votre machine:  
HA X 1 (130/705H) ou HA X 1 SP  
(aiguille pour la maille).



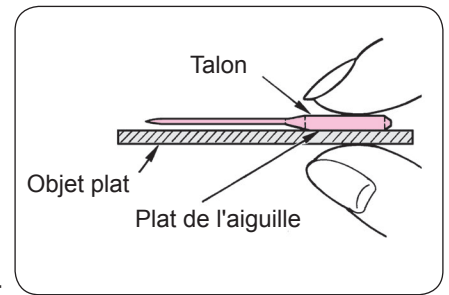
### Diamètre de l'aiguille:

Plus le nombre est grand, plus le diamètre est important.

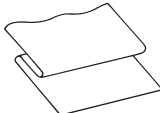

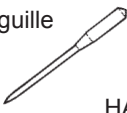
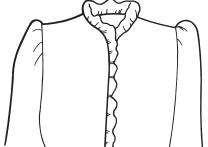


## ■ Contrôle de l'aiguille

Contrôlez de temps en temps que l'aiguille est bien droite. Une aiguille tordue provoquera des points de manque, une casse de fil ou détériorera votre machine.

**Attention: La machine ne pourra pas coudre correctement si l'aiguille n'est pas bien installée et/ou si elle est tordue. Cela peut endommager la machine.**



# Matière, fil et aiguille

	Tissu 	Fil 	Aiguille  HA×1
Tissus fins 	Lin	Fil de soie ..... No.80, 90 Fil synthétique ..... No.80, 90	No.11
	Crêpe		
	Tricot	Fil synthétique ..... No.60-90	Aiguille jersey No.11
Tissus moyens 	Laine et matières synthétiques	Fil de soie ..... No.80 Fil synthétique ..... No.60-90	No.11-14
	Coton et matières synthétiques	Fil synthétique ..... No.50, 60	No.11-14
	Jersey léger	Fil de soie ..... No.50 Fil synthétique ..... No.50, 60	Aiguille jersey No.11
Tissus épais 	Laine ordinaire et matières synthétiques	Fil de soie ..... No.50 Fil synthétique ..... No.50, 60	No.11-14
	Jean	Fil synthétique ..... No.30-50	No.14-16
	Jersey	Fil de soie ..... No.50 Fil synthétique ..... No.50, 60	Aiguille jersey No.11-14
	Côtes	Fil de soie ..... No.50	No.11-14

\* En général le même fil est utilisé pour l'aiguille et la canette.

\* Un fil et une aiguille fine sont utilisés pour coudre des matières légères un fil et une aiguille épaisse sont utilisés pour des matières épaisses.

\* Vérifiez que la combinaison fil/aiguille est OK en faisant des essais sur la matière qui sera cousue.

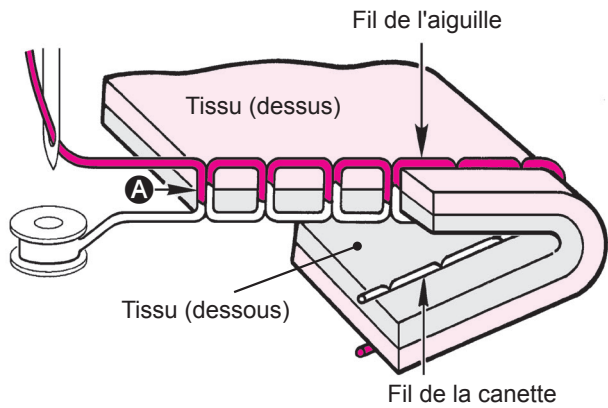
\* L'aiguille pour jersey est bonne pour les matières extensibles (comme du jersey) et pour les matières synthétiques.

\* Utilisez un fil No. 30 à 90.

\* Quand il est difficile de coudre une surépaisseur, guidez la matière avec les mains.

\* Lors de la couture de points décoratifs ou de lettres (Page 21), utilisez une aiguille pour jersey pour un meilleur résultat.

# Comment ajuster la tension du fil

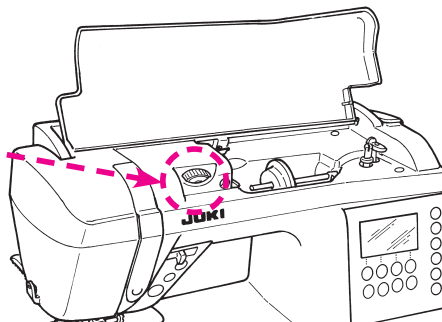
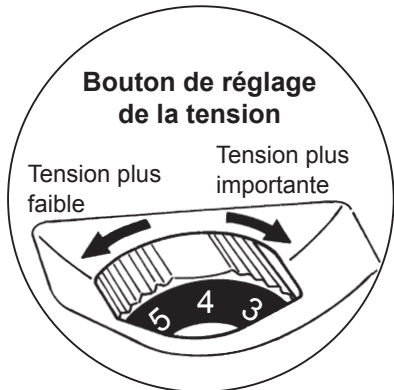


## ■ Tension idéale

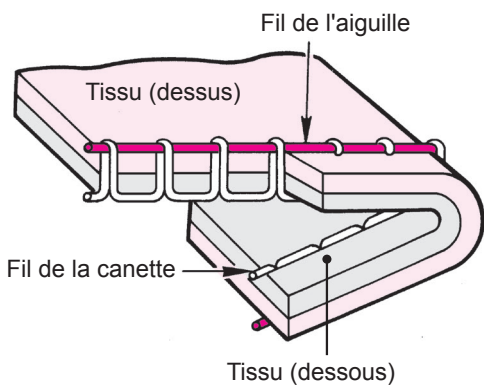
Point droit: Le fil de l'aiguille et de la canette s'entrelasse au milieu de l'épaisseur du tissu. (A)

Point zigzag : Le fil de l'aiguille est tiré un peu au verso du tissu. Si la machine est programmée sur "4", cela conviendra pour la plupart des matières. Toutefois, un réglage peut être nécessaire pour certain tissu ou application.

Si la tension n'est pas bien réglée, cela posera un problème pour la formation du point, fronçage, et/ou casse de fil.

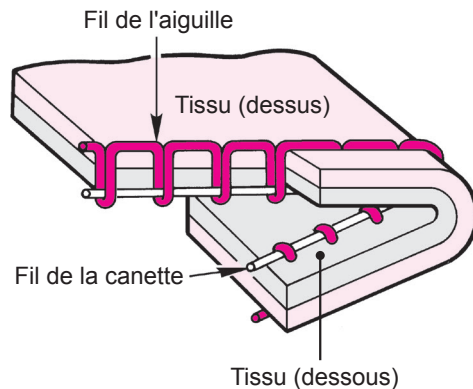


FRANÇAIS



## ■ Fil de l'aiguille trop tendu:

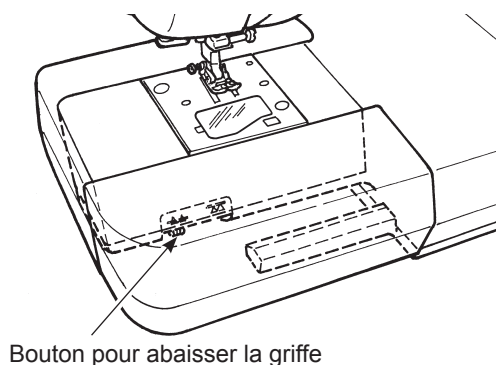
Le fil de l'aiguille est tendu au verso du tissu. Régler la tension sur une valeur inférieure.



## ■ Fil de l'aiguille trop lâche:

Le fil de l'aiguille apparaîtra au dessous du tissu. Régler la tension sur une valeur supérieure. Si la bonne tension n'est pas obtenue, contrôlez l'enfilage du fil de l'aiguille et de la canette.

# Comment abaisser la griffe

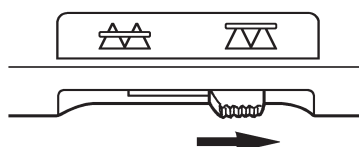


Bouton pour abaisser la griffe

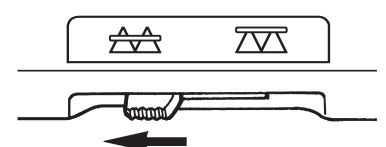
● Mettez vers la droite le bouton pour abaisser la griffe, pour la couture libre, coudre des boutons, etc...

\* Après la couture, positionnez vers la gauche le bouton pour remonter la griffe. La griffe sera automatiquement en position haute lorsque la machine redémarrera.

### ★ Pour abaisser la griffe



### ★ Pour remonter la griffe



# Comment sélectionner un programme de couture

- ☆ Il y a 180 types de programmes.
- ☆ Lorsque la machine est allumée, le point droit avec l'aiguille au centre est choisi automatiquement.
- ☆ Il y a 3 méthode pour sélectionner un programme.

Sur l'écran vous s'affichera le numéro de programme sélectionné ainsi que le numéro du pied qu'il fautb utiliser.

## 1 Programmes usuels

Sélectionnez avec le bouton de sélecteur de point .

Ensuite choisissez le numéro de programme souhaité par le bouton de sélection de programme.

Prog. No.	00	01	02	03	04	05	06	07	08	09
Prog.										
Application	Aiguille au centre	Aiguille à gauche	Point droit pour jersey	Point zigzag	Zig zag 3 points	Matière appliquées	Surfilage	Point invisible	Point droit renforcé	Boutonnière
	Point droit									
Voir page	22	26	26	27	27	40	27	28	26	30

Prog. No.	10	11	12	13	14	15	16	17	18	19	20	21	22
Prog.													
Application	Aiguille au centre	Aiguille à gauche	Aiguille à droite	Zig zag 2 points	Surfilage	Surfilage pour tissu fin	Surfilage pour tissu stretch	Couture ornementale	Point invisible pour tissu fin	Point feston	Point d'arrêt	Oeillet	Reprisage
	Point noué (point de sécurité)		Point zigzag										
Voir page	26	26		-	27	27	-	-	28	-	34	-	-

• Boutonnieres

Prog. No.	23	24	25	26	27	28	29
Prog.							
Application	Bouts arrondis	Boutonnière à oeillet	Bouts arrondis	Pour tricot		Décoratif	
Voir page	30						

• Matelassage

Prog. No.	30	31	32	33	34	35	36	37	38	39
Prog.										
Application	Matelassage									
Voir page	39									

② Points décoratif et programme un-point

Sélectionnez avec le bouton de sélecteur de point

Ensuite choisissez le numéro de programme souhaité par le bouton de sélection de programme.

Prog.	00 01 02 03 04 05 06 07 08 09 10 11 12 13 14 15 16 17 18 19
Prog.	20 21 22 23 24 25 26 27 28 29 30 31 32 33 34 35 36 37 38 39
Voir page	41~43

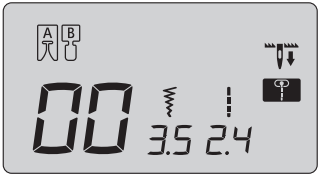
③ Lettres

Sélectionnez avec le bouton de sélecteur de point

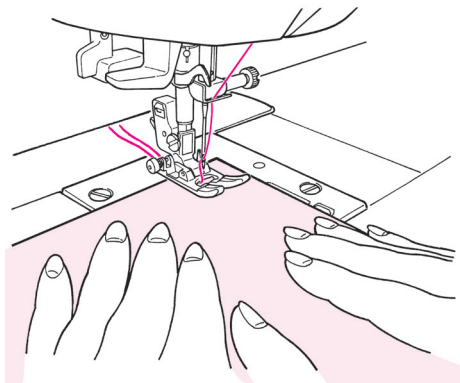
Ensuite choisissez le numéro de programme souhaité par le bouton de sélection de programme.

Prog.	00 01 02 03 04 05 06 07 08 09 10 11 12 13 14 15 16 17 18 19 20 21 22 23 24 25
	A B C D E F G H I J K L M N O P Q R S T U V W X Y Z
	26 27 28 29 30 31 32 33 34 35 36 37 38 39 40 41 42 43 44 45 46 47 48 49 50 51
	a b c d e f g h i j k l m n o p q r s t u v w x y z
	52 53 54 55 56 57 58 59 60 61 62 63 64 65 66 67 68 69 70 71 72 73 74 75
76 77 78 79 80 81 82 83 84 85 86 87 88 89 90 91 92 93 94 95 96 97 98 99	
Ä Å Æ à ä å è é ê ë Ç œ ç ì Ñ ñ Ò ø ò ö ø Û ù ü	
Voir page	41~43

# Point droit

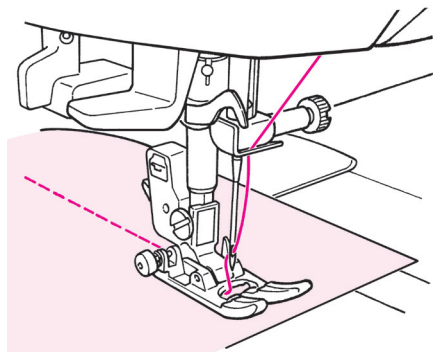
	Prog. No.	Practical 00
	Pied presseur	Prensatelas estándar (A)
	Tension du fil	Auto

 <b>Attention</b>	Éteindre la machine avant de remplacer le pied presseur.
--	--



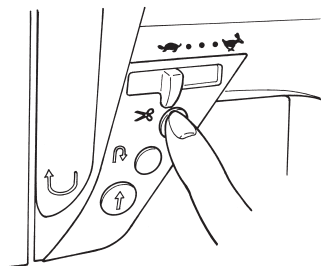
## ■ Débutez la couture

Tirez le fil de l'aiguille et de la canette sous le pied presseur vers l'arrière de la machine et abaissez le pied presseur pour commencer la couture.



## ■ Fin de la couture

Arrêtez de coudre et appuyez sur le bouton du coupe fil pour couper les fils.



### G220

<Avec le bouton du coupe-fil>

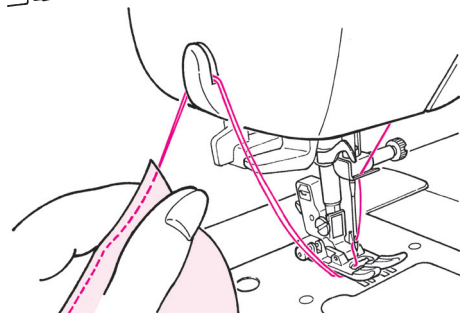
Appuyez sur le bouton du coupe-fil pour couper les fils.

### G220

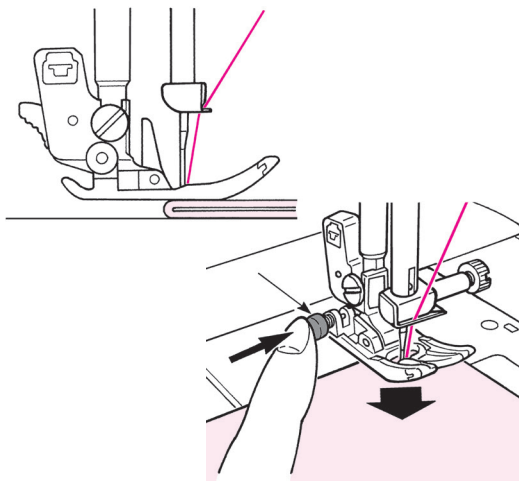
### G120

<Par le biais du fil cutter sur le bonnet>

Vous pouvez aussi couper les fils manuellement grâce au coupe-fil sur la face latérale gauche de la machine.

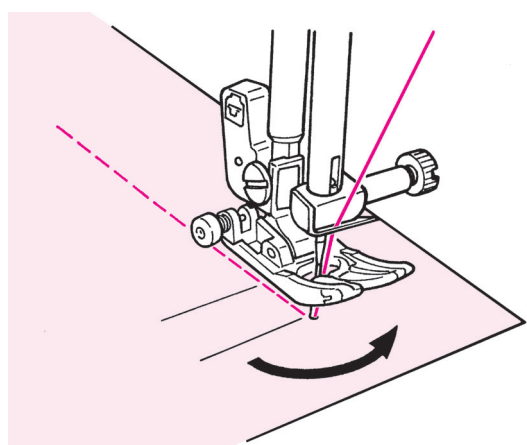






### ■ Pour coudre au bord de matières épaisses

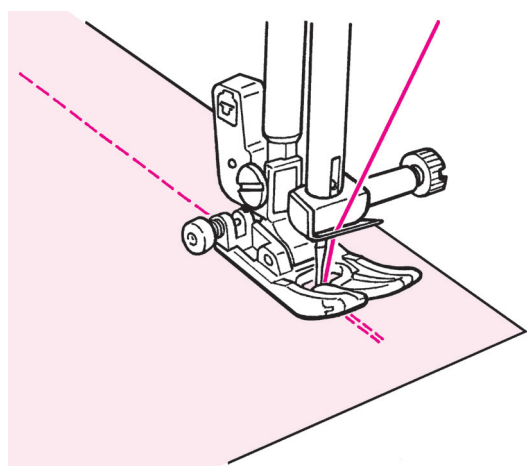
Tournez le volant afin de faire pénétrer légèrement l'aiguille dans la matière. Appuyez sur le bouton noir et abaissez le pied presseur. Relâchez le bouton noir et commencez à coudre. Quand le pied presseur sera complètement sur la matière, le bouton noir sera désengagé automatiquement.



### ■ Pour changer de direction

Arrêtez de coudre à l'approche de l'endroit où vous souhaitez changer de direction, puis recommencez à coudre point par point jusqu'au point d'arrivé.

Maintenez l'aiguille dans la matière et relevez le pied presseur. Avec l'aiguille dans la matière, changez de direction de couture, abaissez le pied presseur et commencez à coudre.



### ■ Point de sécurité à la fin de la couture

<Utilisation du bouton Marche/Arrêt >

A la fin de la couture, appuyez sur le bouton de couture en marche arrière. Tant qu'il est appuyé, la machine va coudre en marche arrière, et une fois relâché, la machine arrêtera de coudre en marche arrière.

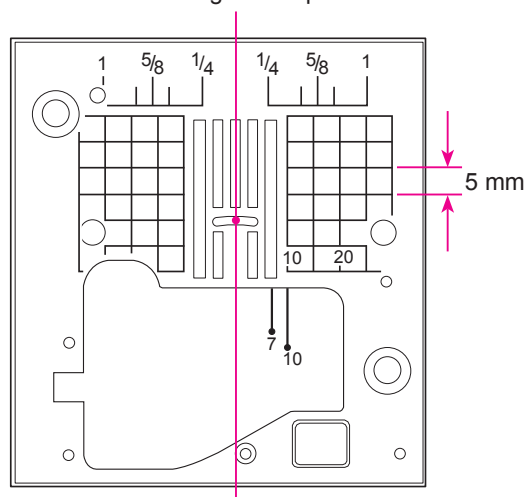
\* Pendant l'opération de couture arrière, la vitesse sera réduite.

<Utilisation du rhéostat >

La machine va coudre en marche arrière à la même vitesse qu'en marche avant.

Quand le bouton de marche arrière est relâché, la machine va coudre droit.

Sur la base de l'aiguille en position centrale



### ★ Ligne de guidage sur la plaque aiguille

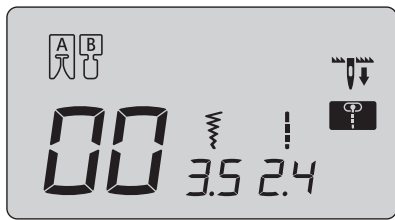
Alignez la matière à coudre avec les lignes de guidage.

\* Les numéros sur les lignes indiquent la distance en mm et en pouces entre la position centrale de l'aiguille et la ligne de guidage.

Numéros, 7, 10 et 20 sont en mm.

Numéros, 1/4, 5/8 et 1 sont en pouces.

## ★ Modification de la position de l'aiguille/Modification de la longueur du point

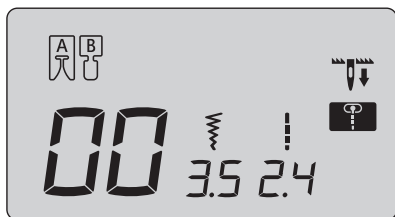
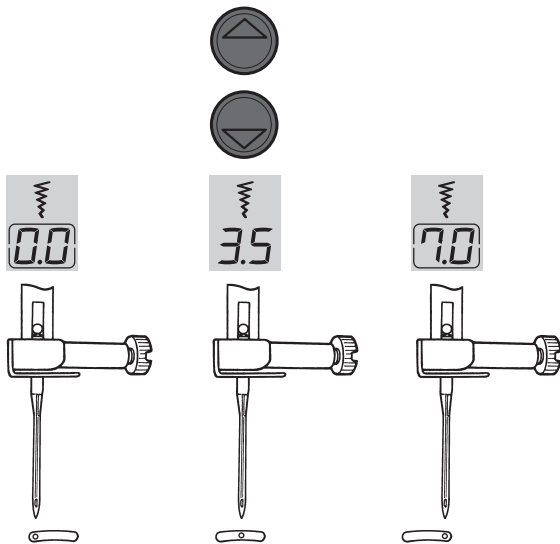


### ■ Modification de la position de l'aiguille en point droit

Il est possible de changer la position de l'aiguille avec la touche d'ajustement de la largeur du zig-zag.


Appuyez "  ", l'aiguille bouge vers la gauche.


Appuyez "  ", l'aiguille bouge vers la droite.

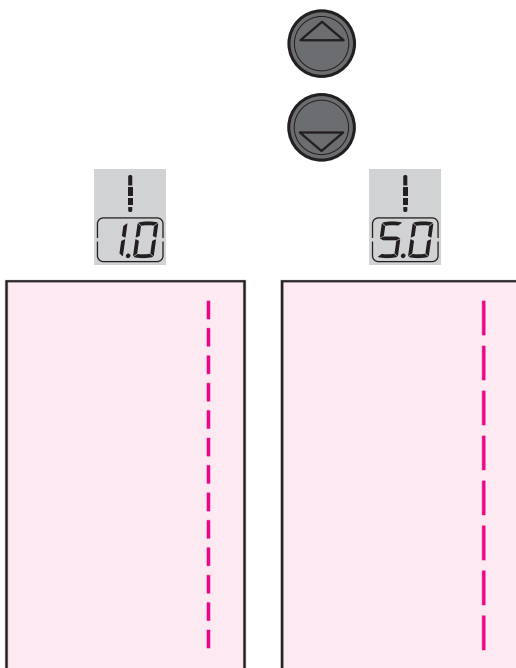


### ■ Modification de la longueur du point

Il est possible de changer la longueur du point avec la touche d'ajustement de la longueur du point.


Appuyez "  ", la valeur à l'écran devient plus petite et la longueur du point diminue.

Appuyez "  ", la valeur à l'écran devient plus grande et la longueur du point augmente.




**G220**

### ★ Point de sécurité automatique et coupe fil

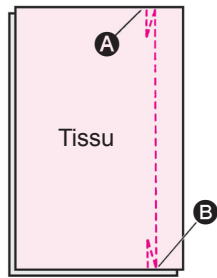
Après avoir sélectionné un programme, **И>8**  appuyez une fois.

La machine va coudre en marche arrière (points de sécurité), couper le fil de l'aiguille et de la canette puis s'arrêtera.


Symbole à l'écran: **И>8**

Quand **И>8**  est appuyé une nouvelle fois, cette fonction est désactivée.

Exemple: point droit


**G120**

### ★ Point de sécurité automatique

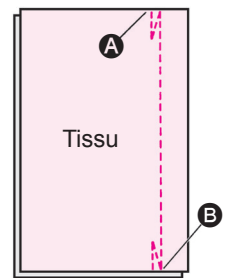
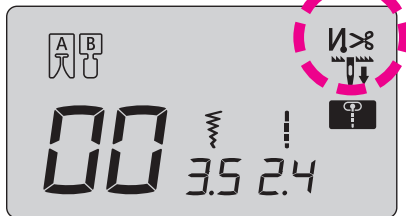
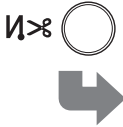
Après avoir sélectionné un programme, **И**  appuyez une fois.


La machine va faire quelques points en marche arrière (point de sécurité) et s'arrêter.

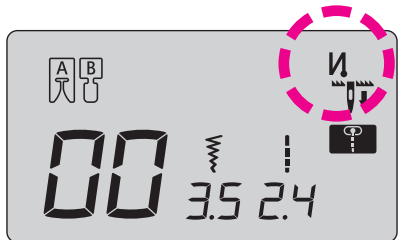
Symbole à l'écran: **И**


Quand **И**  est appuyé une nouvelle fois, cette fonction est désactivée.

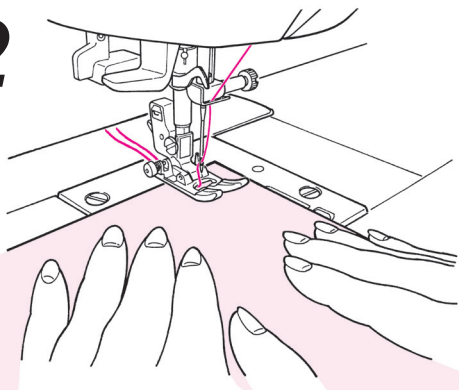
Exemple: point droit

**1****G220**

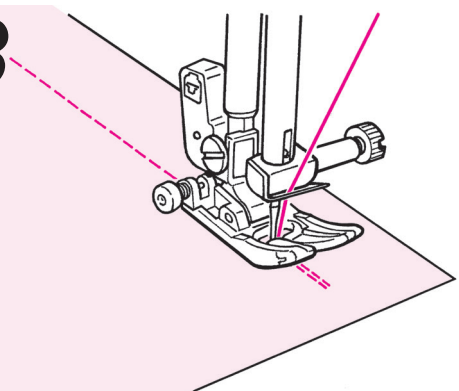
- Après avoir sélectionné un programme, pressez **И>8** , le symbole **И>8** s'affichera à l'écran.

**G120**

- Après avoir sélectionné un programme, pressez **И** , le symbole **И** s'affichera à l'écran.

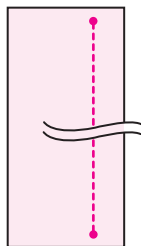
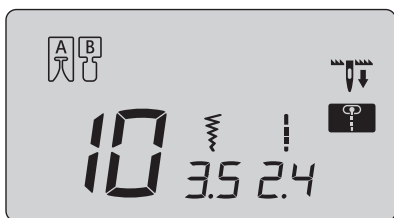
**2**

- Placez la matière au point de départ de la couture et commencez à coudre. **A**  
La machine coud quelques points en arrière puis continue.

**3**

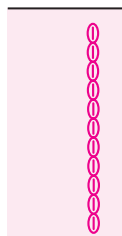
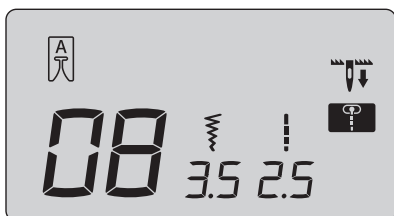
- Appuyez sur le bouton de marche arrière. **B**  
La machine coud en marche arrière, s'arrête, puis coupe automatiquement le fil de l'aiguille et de la canette.

## ★ Autres programmes en point droit



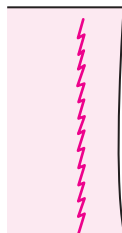
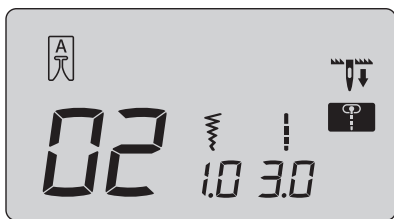
### ■ Point de sécurité

A la fin de la couture, appuyez sur le bouton de marche arrière.  
La machine fera quelques points de sécurité puis s'arrêtera.



### ■ Point stretch de renfort

Le point stretch de renfort est très utile lorsque l'on coud des matières élastiques ou sur les parties des matières qui s'éffilochent.



### ■ Point droit pour matière élastique

Ce type de point est utilisé afin de réaliser des points droits sur des matières élastiques comme le jersey ou le tricot.

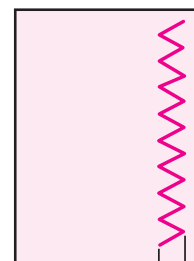
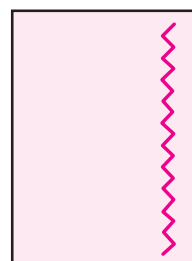
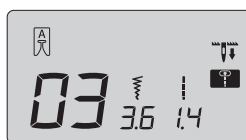
## Point zigzag

 	Prog. No.	Practical 03
	Pied presseur	Pied presseur standard (A)



**Attention**

Éteindre la machine avant de remplacer le pied presseur.



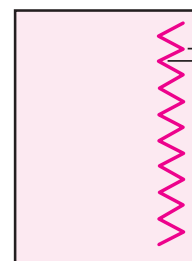
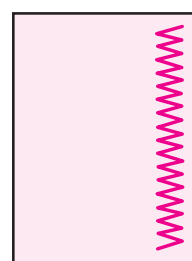
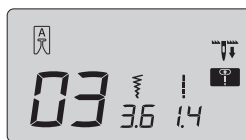
Widht

### ■ Modification de la largeur du zigzag

La largeur du zigzag peut être modifiée pendant la couture.

En appuyant sur "◀", la valeur affichée diminue et la largeur du zigzag diminuera en correspondance.

En appuyant sur "▶", la valeur affichée augmentera et la largeur du zigzag augmentera en correspondance.



Longeur

### ■ Modification de la longueur du point

La longueur du point peut être modifier pendant la couture.

En appuyant sur "◀", la valeur affichée diminue et la longueur du point diminuera en correspondance.

En appuyant sur "▶", la valeur affichée augmentera et la longueur du point augmentera en correspondance.

# Surfilage

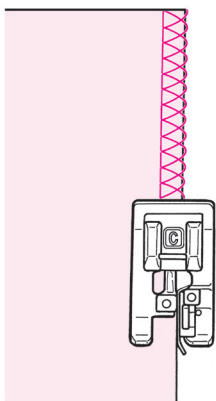
**⚠ Attention**

Éteindre la machine avant de remplacer le pied presseur.

On utilise ce programme pour éviter l'éfilochage du bord du tissu.

## ■ Point de surfilage 1

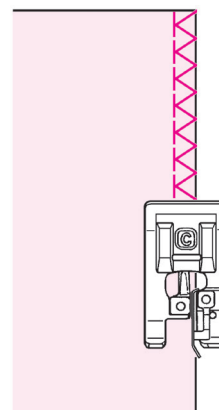
	Prog. No.	Practical 06
	Pied presseur	Pied presseur surfilage (C)



- Placez la matière en butée du guide et commencez à coudre. Si la matière et le guide ne sont pas en contact, la formation du point ne sera pas bonne. Assurez vous de bien guider la matière le long du guide et cousez lentement.
- \* Avant de coudre, assurez vous que l'aiguille ne tapera pas sur le pied presseur.

## ■ Point de surfilage 2

	Prog. No.	Practical 14
	Pied presseur	Pied presseur surfilage (C)

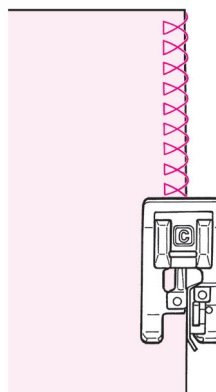


- Ce programme est utilisé pour surjeter des matières moyennes ou épaisses. Placez la matière en butée du guide et commencez à coudre.
- \* Avant de coudre, assurez vous que l'aiguille ne tapera pas sur le pied presseur.

FRANÇAIS

## ■ Point de surfilage 3

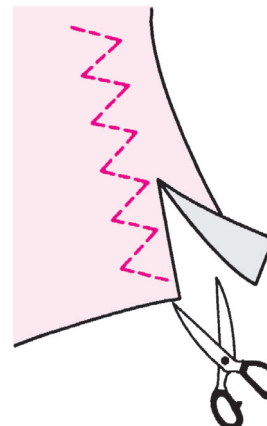
	Prog. No.	Practical 15 (matière légère)
	Pied presseur	Pied presseur surfilage (C)



- Ce programme est utilisé pour surjeter des matières légères. Placez la matière en butée du guide et commencez à coudre.
- \* Avant de coudre, assurez vous que l'aiguille ne tapera pas sur le pied presseur.

## ■ Surjet en zigzag 3-point

	Prog. No.	Practical 04
	Pied presseur	Pied presseur standard (A)



\* **Ne pas utiliser le pied à surfiler (C).**

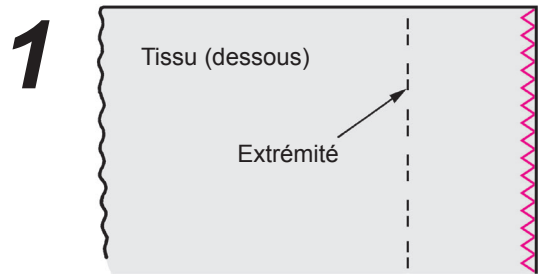
- Ce point est utilisé pour éviter que les bords ne s'éfilochent par frottement. Coupez le tissu en gardant une marge de sécurité afin de ne pas couper la couture.

# Point invisible

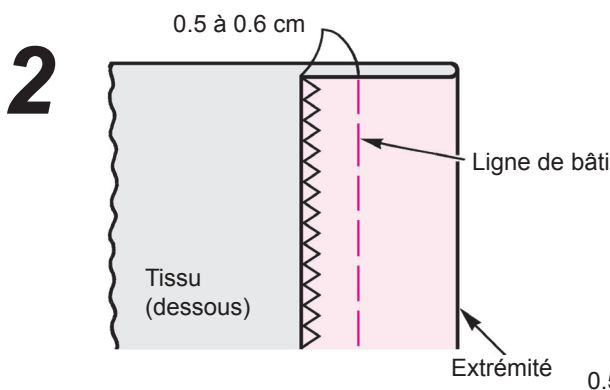
 	Prog. No.	Practical 07, 18 (Light-weight material)
	Pied presseur	Blind stitch presser foot (D)

**⚠ Attention**      Éteindre la machine avant de remplacer le pied presseur.

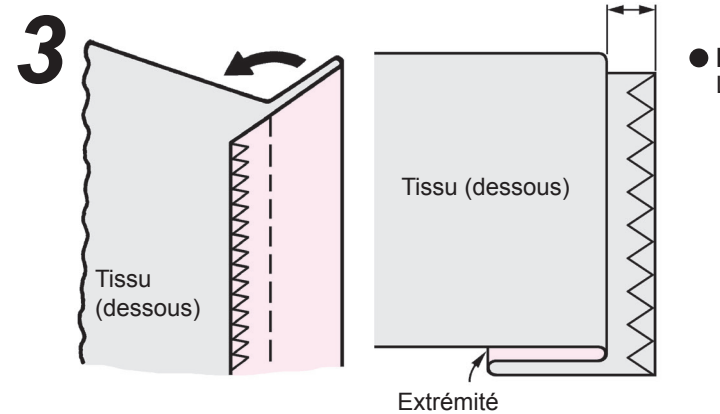
## ■ Tissus repliés



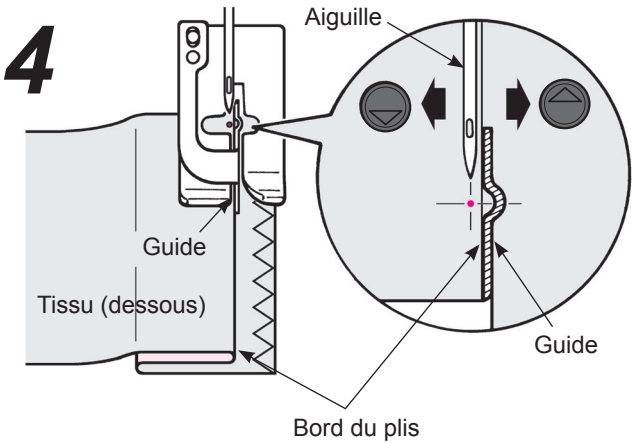
- Point de surjet sur le bord d'un tissu.
- Voir page 27.



- Bâtir.



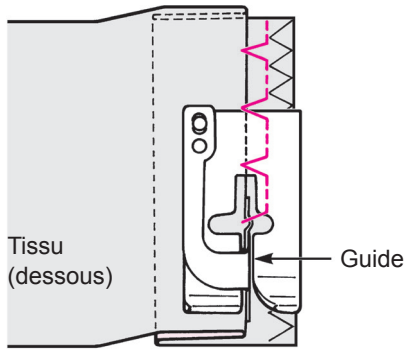
- Pliez à partir de la ligne de bâti.
- Laissez 0.5 à 0.6 cm.



- Alignez le guide avec le bord du plis. Tournez le volant et réglez la largeur du zigzag afin que l'aiguille pique le bord du plis.
- \* Attention à ce que l'aiguille ne tape pas le pied presseur.

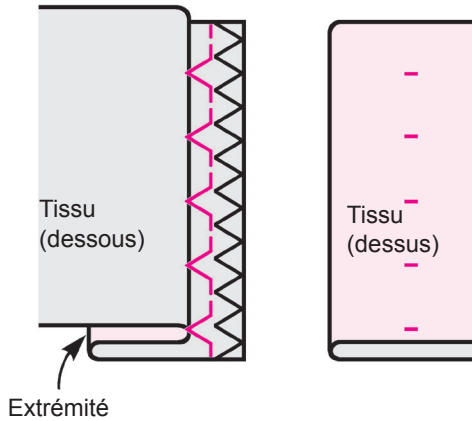


5



- Placez le bord du plis contre le guide et commencez à coudre.

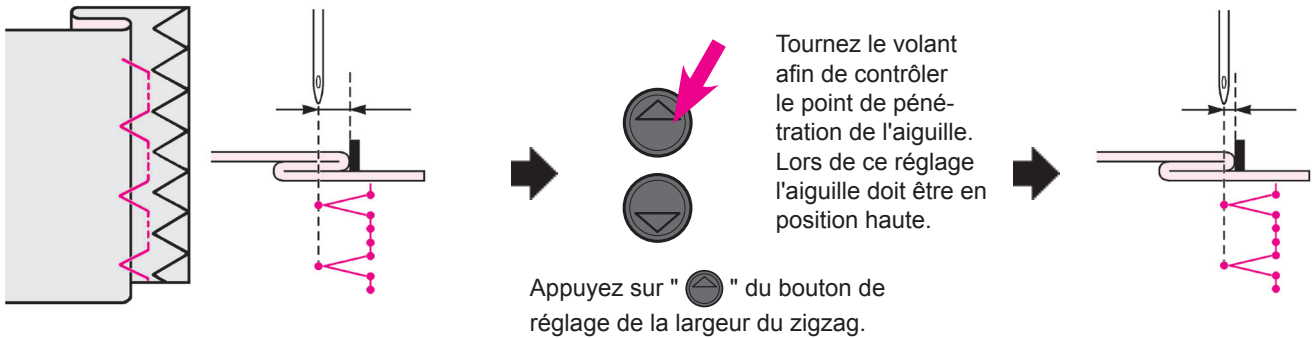
6



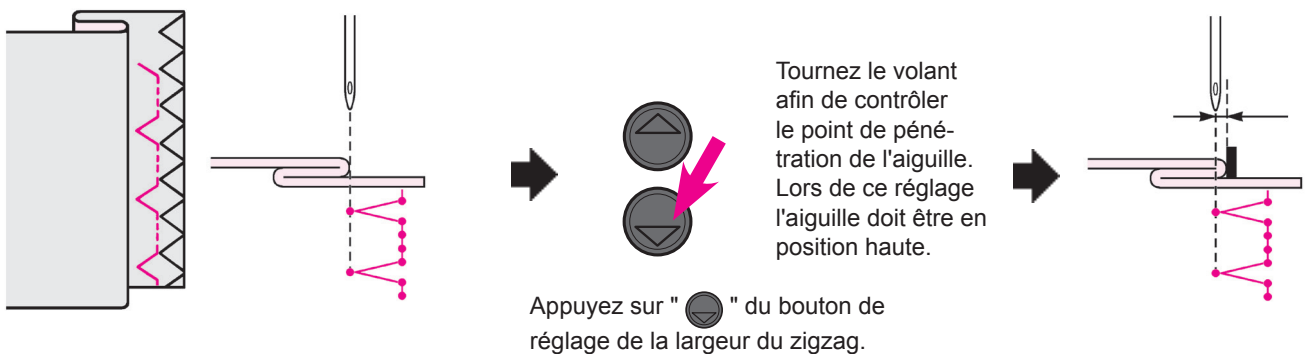
- Après la fin de la couture retournez le tissu.

## ■ Modification du point de pénétration de l'aiguille


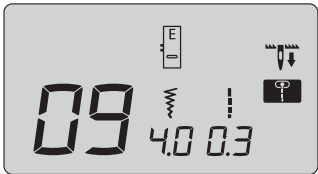
### 1. Si le point va au delà du bord du plis



### 2. Si le point n'arrive pas jusqu'au bord du plis











# Boutonnères

 	Prog. No.	Practical 09, 23-29
	Pied presseur	Pied presseur boutonnière (E)

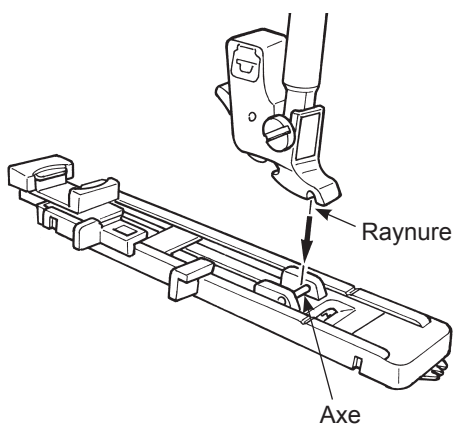
**⚠ Attention**      **Éteindre la machine avant de remplacer le pied presseur.**

- \* La longueur de la boutonnière est automatiquement déterminée en plaçant un bouton dans le pied presseur.
- \* La machine peut coudre des boutonnières pour des boutons d'un diamètre de 0.7 à 2.6 cm.
- \* En cas de matières élastiques, placez de la viseline au verso du tissu.
- \* Faites au préalable des essais de couture sur le tissu afin de vérifier la bonne formation de la boutonnière.
- \* Les programmes N° 26, 27 sont pour du tricot et doivent être utilisé avec une aiguille spéciale pour tricot.

## Types de boutonnières

09		Boutonnière standard	Boutonnière pour tissus moyens et épais. Boutonnière standard	26		Pour tricot	Boutonnière pour tricot léger (utiliser aussi comme boutonnière décorative)
23		Bout arrondis	Boutonnière pour les chemisiers et les vêtements d'enfants. Aussi pour tissus légers	27			Boutonnière pour tricot moyen (utiliser aussi comme boutonnière décorative)
25				28		Décoratif	Boutonnière décorative, qui ressemble à une boutonnière faite "à la main"
24		Boutonnière à oeillet	Boutonnière à oeillet pour tissus épais (vestes, manteaux, costumes, etc...)	29			

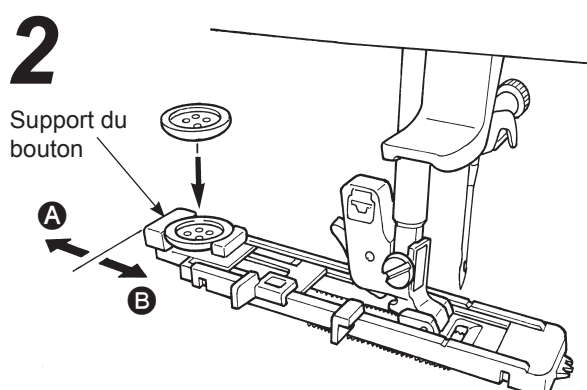
**1**



● **Installation du pied presseur.**

Appuyez sur le bouton permettant de relever l'aiguille et levez le pied presseur. Positionnez la rainure du support du pied presseur avec l'axe du pied presseur puis abaissez la barre du pied presseur pour clipser le pied presseur sur son support.

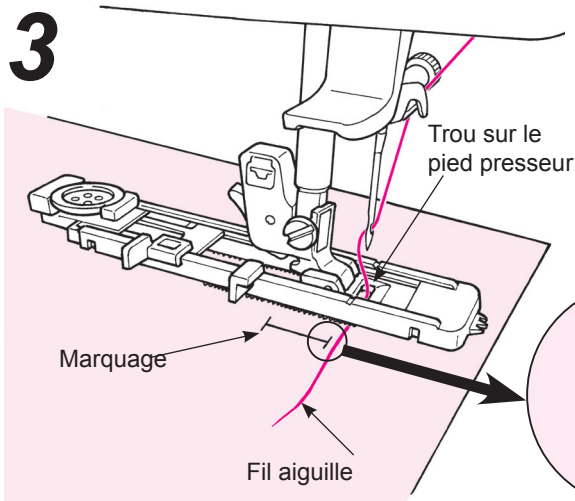
**2**



● **Installation du bouton.**

Poussez le support vers l'arrière **A**, placez le bouton sur le support de bouton, et ensuite poussez le support vers **B** afin de régler la longueur du bouton.  
\* **Il est impossible de coudre un bouton d'une épaisseur supérieure à 4mm.**

3

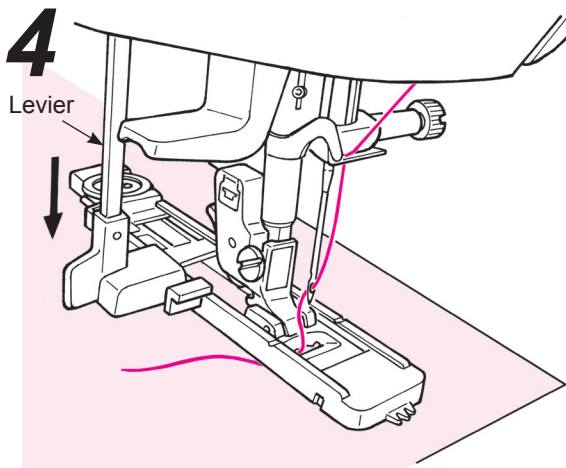


● **Placez la matière sous le pied presseur.**

Levez le pied presseur, passez le fil à travers le trou sur le pied presseur et tirez le sur le côté.

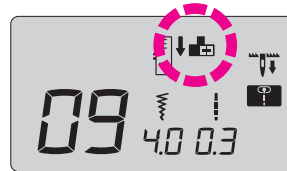
Placez le tissu sous le pied presseur, alignez le marquage avec le point de départ de la couture. Faites pénétrer l'aiguille dans la matière en tournant le volant et abaissez le pied presseur.

4



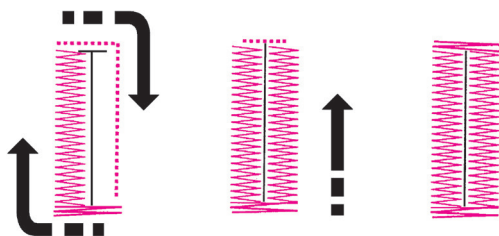
● **Abaisser le levier au maximum.**

Le levier doit être à l'arrière de la projection du pied presseur.



\* L'icône sur l'écran disparaîtra lorsque le levier sera dans la bonne position.

5



Débutez à partir d'ici

● **Commencez à coudre.**

La machine s'arrêtera automatiquement après avoir cousu la boutonnière.

\* Si une boutonnière de même dimension sera cousue, appuyez sur la touche de coupe fil pour couper les fils et relever le pied presseur.

Puis positionnez vous à l'endroit pour coudre la nouvelle, boutonnière, abaissez le pied et commencez à coudre.

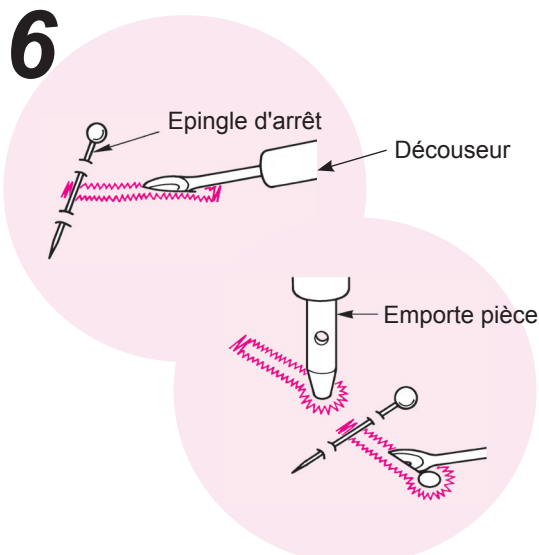
\* Ne pas modifier la longueur du point et/ou la largeur du zigzag pendant la couture de la boutonnière. Cela risque de faire des points déséquilibrés.

\* Si le bouton du coupe-fil est appuyé pendant la couture de la boutonnière, la machine s'arrêtera et ne finira pas la boutonnière.

La couture débutera à partir du commencement.

\* Suivant le type de tissu, la largeur du zigzag peut varier entre la partie droite et gauche de la boutonnière. Il est donc recommandé de faire des essais de couture au préalable.

6



● **Ouvrir la boutonnière à l'aide d'un découpeur.**



**[Double point d'arrêt]**

Placez une épingle à une extrémité puis ouvrez la boutonnière à l'aide d'un découpeur. Attention à ne pas couper la couture.

**[Boutonnière à oeillet]**

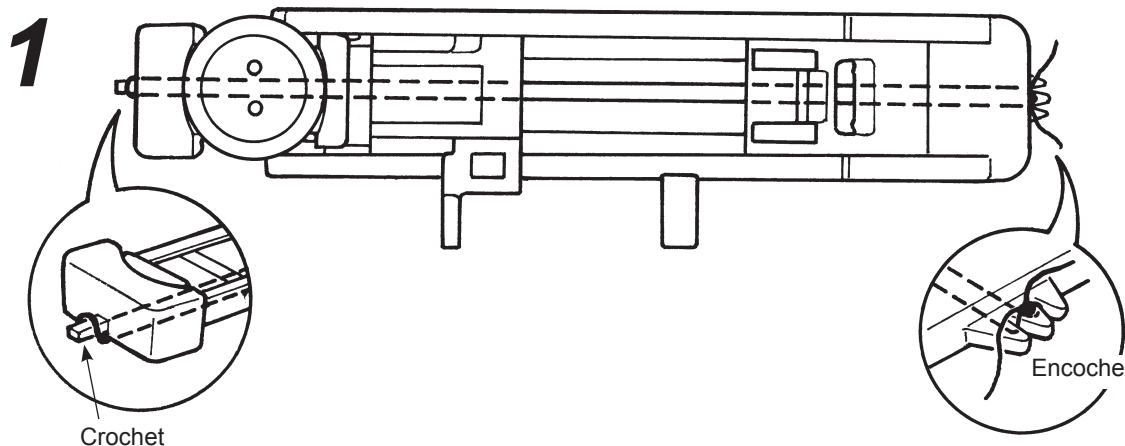
Placez un carton sous la boutonnière et faites un trou à l'aide de l'emporte pièce. Puis placez une épingle à l'autre extrémité et ensuite ouvrez la boutonnière à l'aide du découpeur.

## ■ Boutonnière avec fil cordonnet

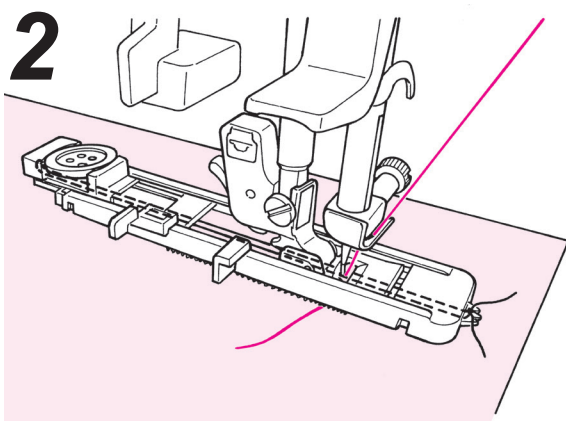
 	Prog. No.	Practical 09
	Pied presseur	Pied presseur boutonnière (E)

 <b>Attention</b>	<b>Éteindre la machine avant de remplacer le pied presseur.</b>
--	---

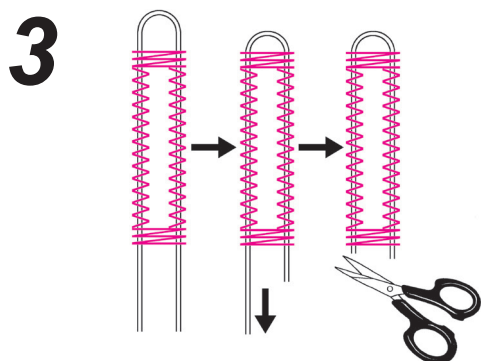
L'utilisation de fil cordonnet permet d'éviter que la boutonnière ne s'allonge et permet aussi de la rendre plus solide.



- Passez le fil de l'aiguille sous le pied presseur et ensuite tirez le fil sur le côté du pied presseur.
- Placer une part du cordon dans l'entaille devant à droite du pied presseur pour boutonnières, presser le cordon sous le pied presseur et enfiler dans la serrure du pied presseur.
- Après avoir accrocher le cordon, tirer le cordon sous le pied presseur et l'enfiler dans l'entaille devant à gauche du pied presseur.



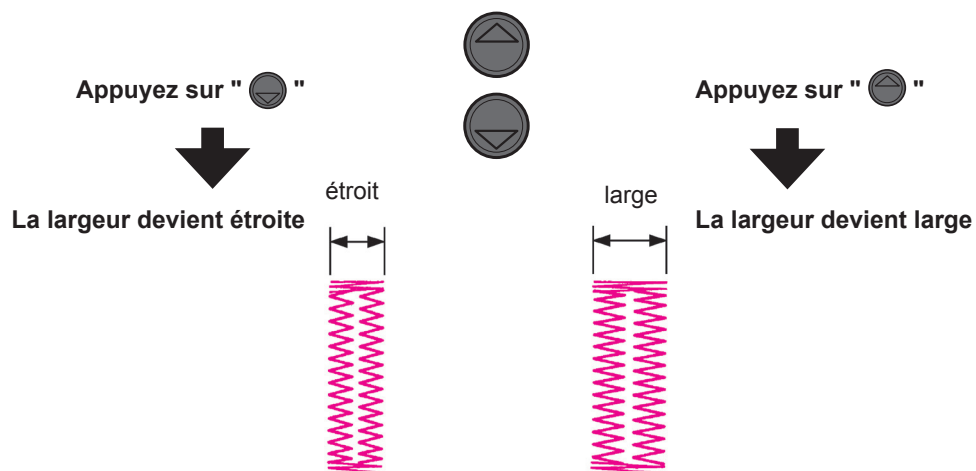
- Abaissez l'aiguille sur le point de départ de la couture et abaissez le pied presseur.
- Cousez la boutonnière.



- Tirez le fil cordonnet de gauche pour qu'il soit moins lâche et coupez le fil cordonnet en surplus.

## ■ Modifier la largeur de la boutonnière

Appuyer la touche d'ajustement du zig-zag.

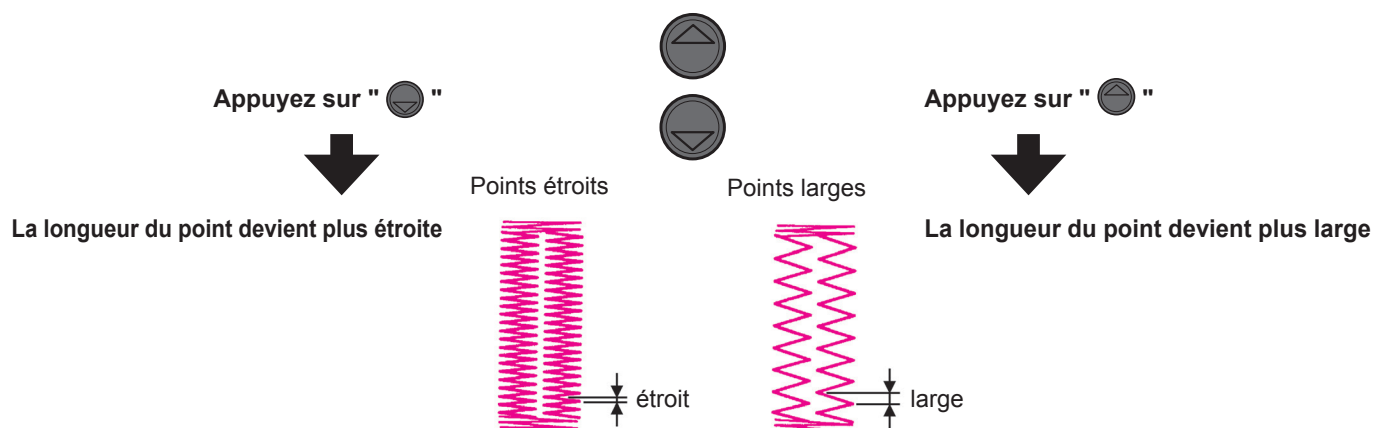


\* Le réglage de la largeur de la boutonnière et de la longueur du point peuvent être annulés quand la machine est éteinte ou quand un autre programme est sélectionné.

FRANÇAIS

## ■ Modifier la densité du point

Appuyer la touche d'ajustement de la longueur du point.



## Point d'arrêt

	Prog. No.	Practical 20
	Pied presseur	Pied presseur boutonnière manuelle (I)

**Attention** Éteindre la machine avant de remplacer le pied presseur.

Le point d'arrêt est utilisé pour renforcer une couture.

\* La longueur du point d'arrêt est déterminée en appuyant sur le bouton de couture inversée, mais la couture s'inversera automatiquement quand elle aura atteint un maximum de 20 points.

\* Si le pied presseur ne peut pas être parallèle à la plaque aiguille, utilisez un morceau de carton pour compenser.

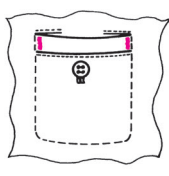
### Exemple d'utilisation



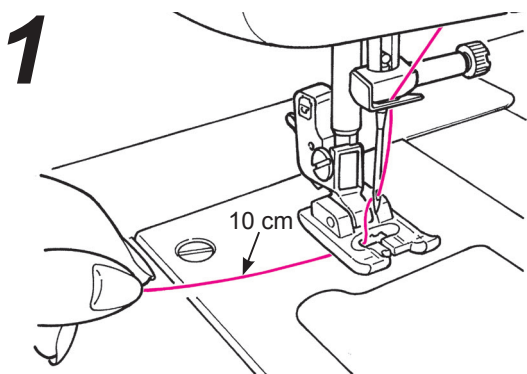
Pantalon et jupe



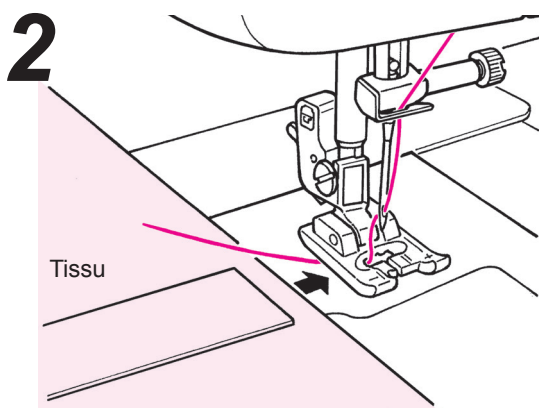
Sac



Poche

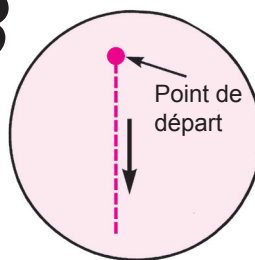


● Placez le fil de l'aiguille à travers le pied presseur.

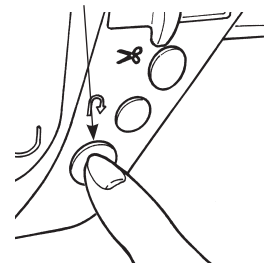


● Placez la matière sous le pied presseur.

### 3



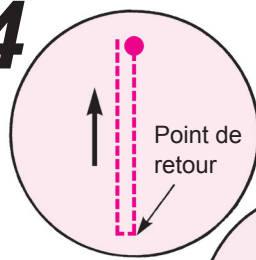
Bouton Marche/Arrêt



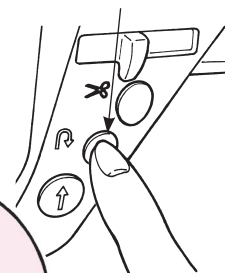
● Début de la couture.

Appuyez sur le bouton Marche/Arrêt et la machine commencera à coudre en points droits.

### 4



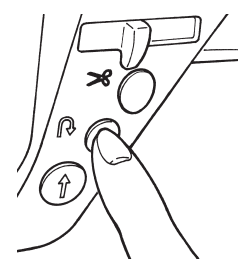
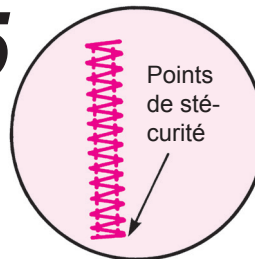
Bouton marche arrière



● Quand vous arrivez au point de retour appuyez sur le bouton de marche arrière.

La machine retourne au point de départ en cousant des points droits et ensuite elle exécute un point zigzag jusqu'à l'endroit où le bouton de marche arrière a été appuyé.

### 5

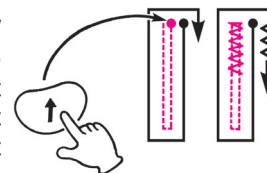


● Quand arrive la fin de la couture, appuyez sur le bouton de marche arrière.

La machine fait un point de sécurité puis s'arrête.

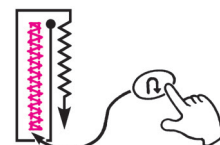
**Pour coudre encore un point d'arrêt de la même longueur... quand la longueur du premier point d'arrêt a été mémorisée,**

● Quand le bouton Marche/Arrêt est appuyé, la machine débute la couture et revient en arrière automatiquement lorsqu'elle arrive au 1er point d'arrêt.




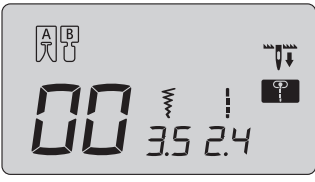
\* Si vous voulez modifier la longueur mémorisée du point d'arrêt, sélectionnez de nouveau le programme de couture.

● Quand arrive la fin de la couture, appuyez sur le bouton de marche arrière.





# Insertion de fermeture à glissière

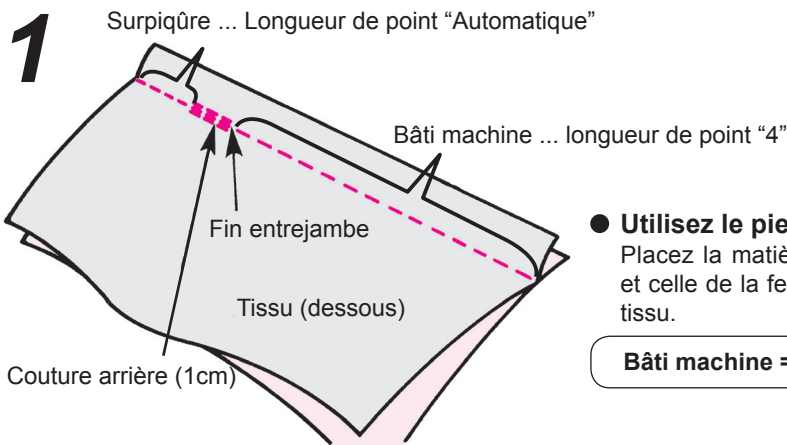
 	Prog. No.	Practical 00
	Pied presseur	Pied fermeture à glissière (B)

 <b>Attention</b>	Éteindre la machine avant de remplacer le pied presseur.
--	--

La pose de fermeture à glissière se fait de 2 façons: par insertion dans la couture du vêtement et en centering in position.

\* Assurez vous que la position de l'aiguille est au centre (Programme No. Practical 00).

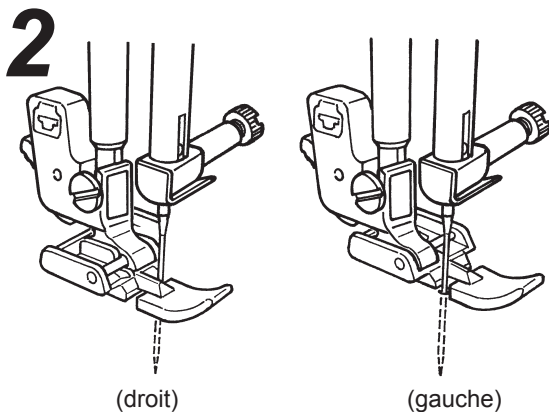
## ■ Préparation avant la pose de la fermeture à glissière



- **Utilisez le pied presseur standard (A) pour coudre.**

Placez la matière face-à-face. Contrôlez la longueur de la surpiqûre et celle de la fermeture à insérer. La machine bâti la fermeture sur le tissu.

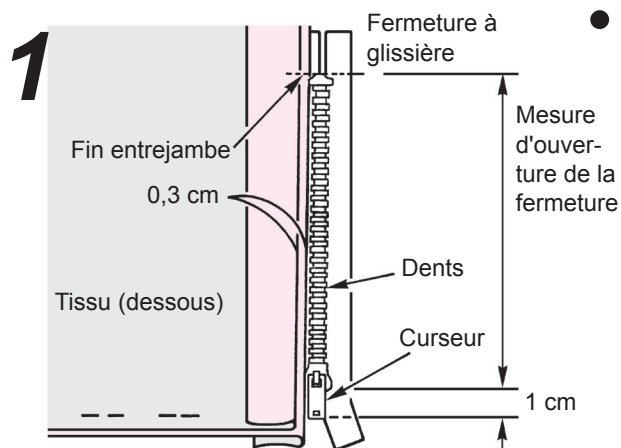
**Bâti machine = longueur d'ouverture de la fermeture + 1 cm**



- **Installation sur la machine du pied presseur pour la pose de fermeture à glissière (B).**

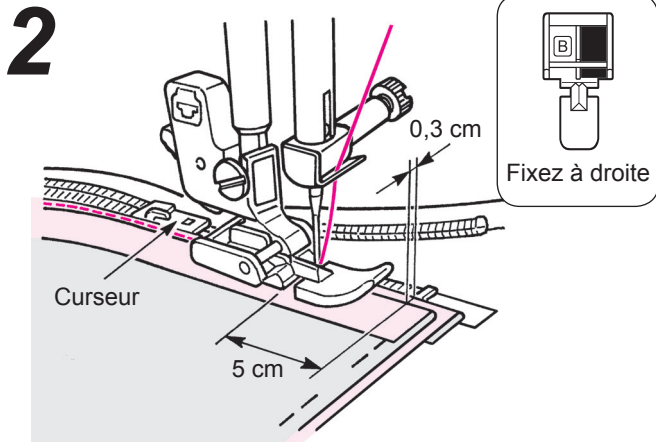
Lors de la couture du côté gauche de la fermeture à glissière, mettez la fermeture à glissière sous la partie droite du pied. Lors de la couture du côté droit de la fermeture à glissière, mettez la fermeture à glissière sous la partie gauche du pied.

## ■ Insertion latérale



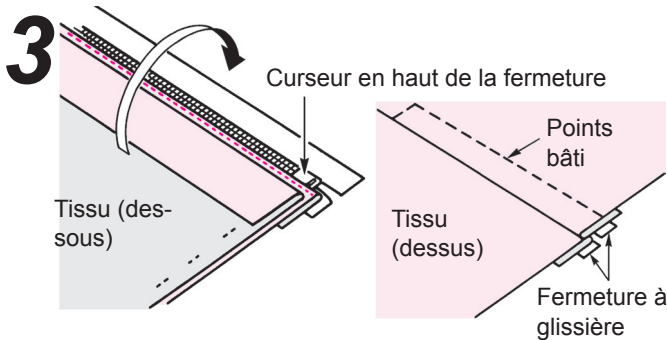
- **La fermeture est insérée dans la couture du vêtement.**

Le bord des dents suit la couture. Coudre la fermeture du bas vers le haut au bord de la partie à rabattre. Faire un plis à l'aide d'un fer à repasser.



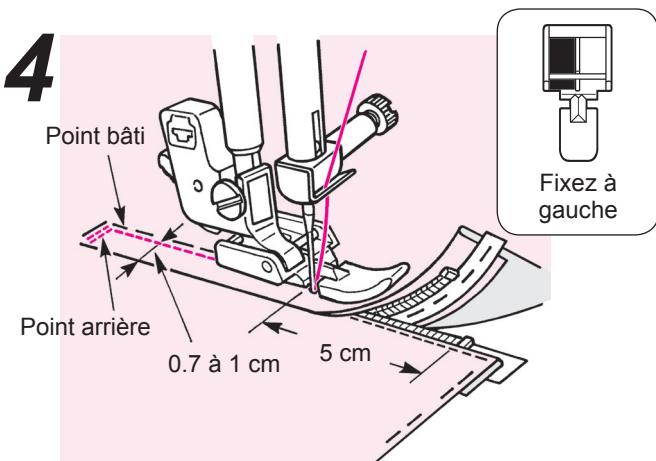
**2 Cousez la bande de la fermeture à glissière de bas en haut.**

Positionnez le bord du pied le long du bord des dents de la fermeture à glissière, puis cousez la bande de la fermeture à glissière. Arrêtez de coudre à 5cm du curseur. Puis mettez le curseur à l'opposé du du pied afin de pouvoir terminer votre couture.



**3 Mettez le tissu au-dessus de la fermeture.**

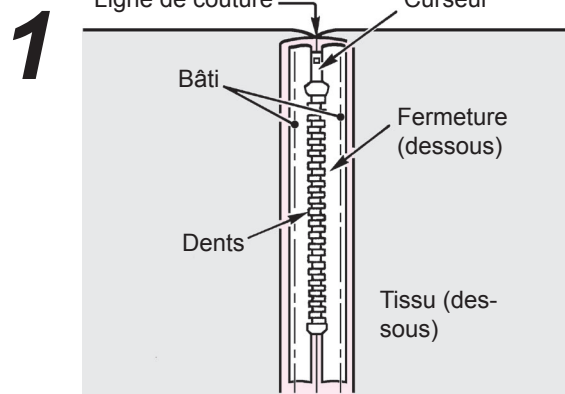
\* Bâtissez la fermeture au vêtement depuis le dessous à travers la bande de la fermeture. Mettez le curseur en haut de la fermeture.



**4 Faites des points en marche arrière et cousez la partie droite.**

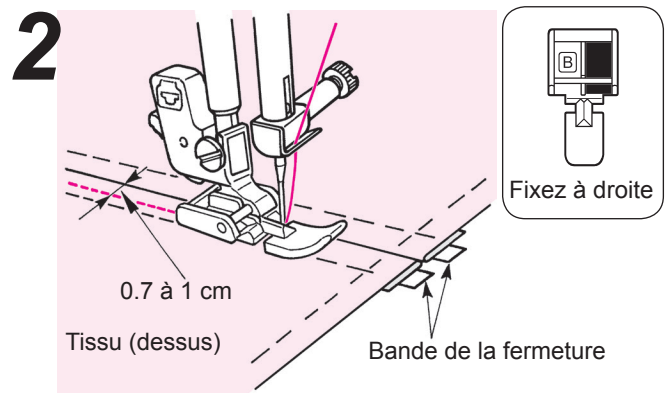
Après avoir fait des points en marche arrière, installer le pied sur sa partie gauche. Puis cousez jusqu'à 5cm de la fin de la fermeture à glissière. Découpez les coutures de bâti puis terminez votre couture.

**■ Insertion centrale**



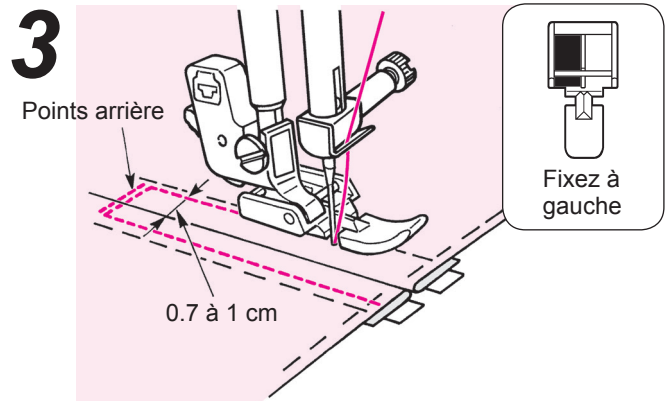
**1 Bâtissez la fermeture avec le tissu.**

Positionnez les dents de la fermeture au bord de la ligne de couture et faites des points de bâti à la main. Placez le curseur en haut de la fermeture.



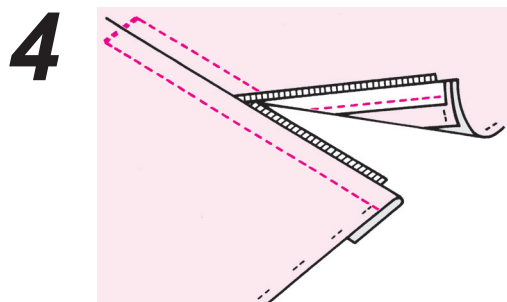
**2 Cousez la partie gauche de la fermeture du bas de la fermeture vers le haut.**

Cousez entre 0.7 à 1 cm de la couture.



**3 Cousez la partie droite de la fermeture.**

Faites quelques points en marche arrière. Cousez l'autre côté entre 0.7 à 1 cm de la couture.



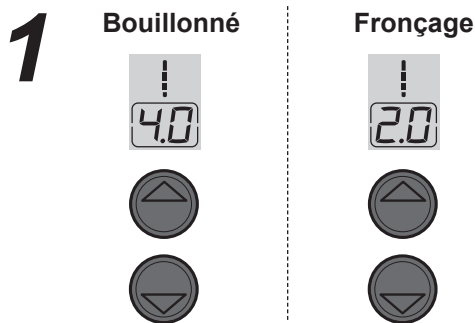
**4 Découpez les coutures de bâti.**

# Fronçage et effet bouillonné

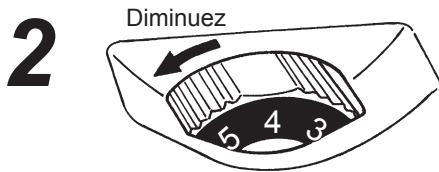
	Prog. No.	Practical 00
	Pied presseur	Pied presseur standard (A)

**⚠ Attention** Éteindre la machine avant de remplacer le pied presseur.

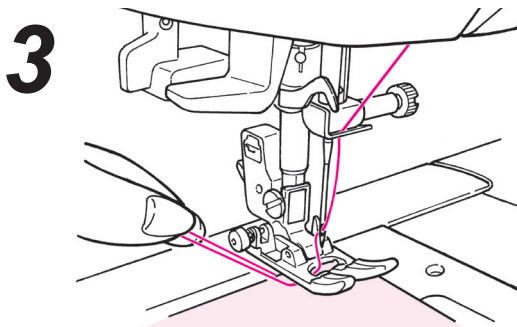
- ★ Fronçage: pour les lignes d'épaules ou la taille de jupe.
- ★ Bouillonné: joindre les épaules ...



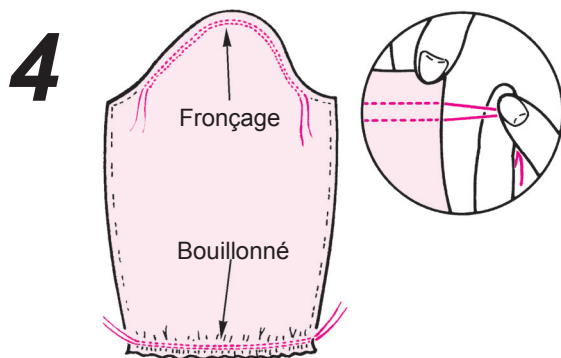
- Modifiez la longueur du point.  
Paramètre: 3.0 - 4.0 pour bouillonné et 1.5 - 2.0 pour froncer.



- Diminuez la tension du fil de l'aiguille.



- Commencez à coudre.  
Laissez 5 cm de fil au début et en fin de couture cousez en ligne parallèle.



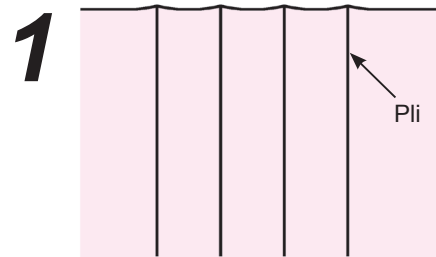
- Tirez le fil inférieur à la main pour froncer.

# Pintucking

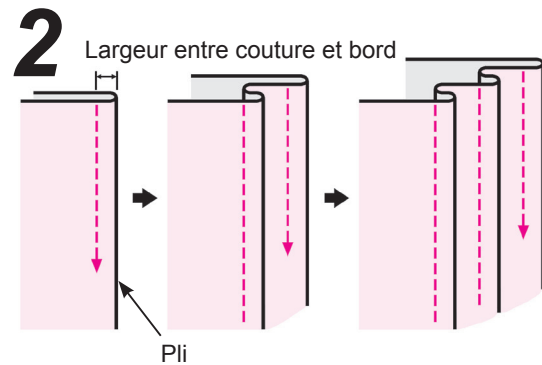
	Prog. No.	Practical 00
	Pied presseur	Pied presseur standard (A)

**⚠ Attention** Éteindre la machine avant de remplacer le pied presseur.

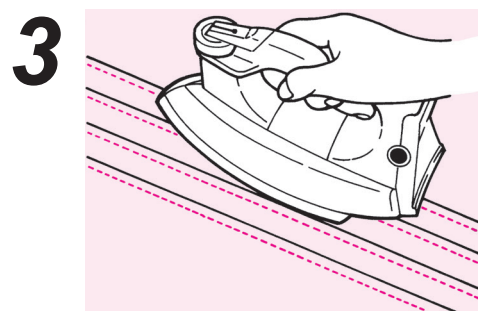
Ce point est utilisé pour la décoration de chemisiers, et/ou tabliers, etc.



- Repassez les plis.



- Cousez les plis un à un en évitant de les étirer.



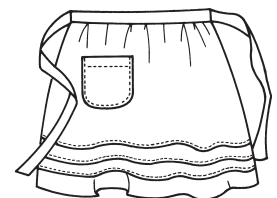
- Après la couture, retournez les pintucks et repassez les.

- Exemple d'utilisation


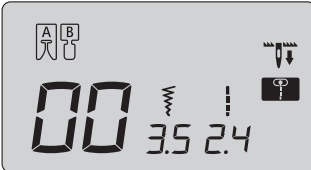
- Chemisier



- Tablier

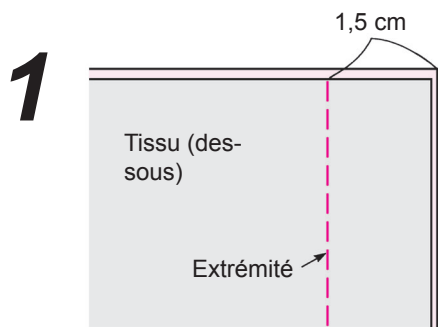


## Bordage

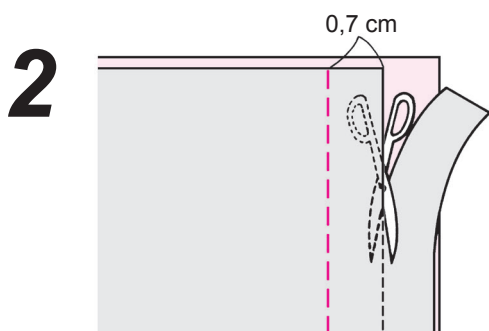
 	Prog. No.	Practical 00
	Pied presseur	Pied presseur standard (A)

**Attention** Éteindre la machine avant de remplacer le pied presseur.

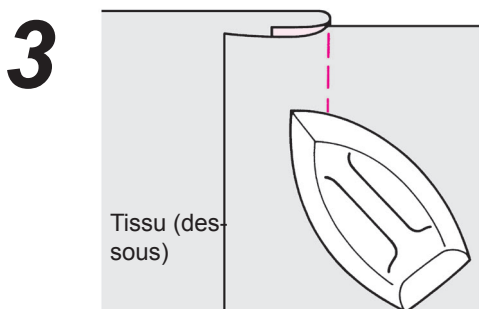
On l'utilise pour sécuriser le bord d'une couture.



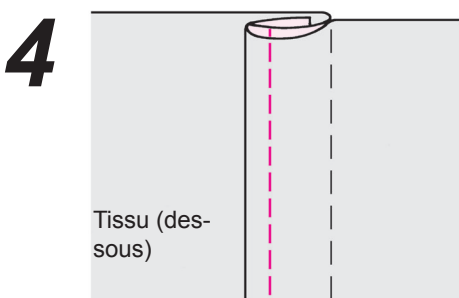
● Assemblez les tissus et cousez.



● Coupez une partie du bord d'un des deux tissus.


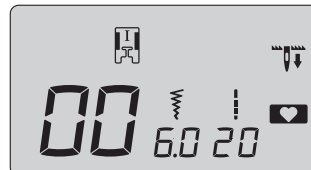


● Ouvrez les tissus et mettez les deux bords de tissu du même côté et repassez les.




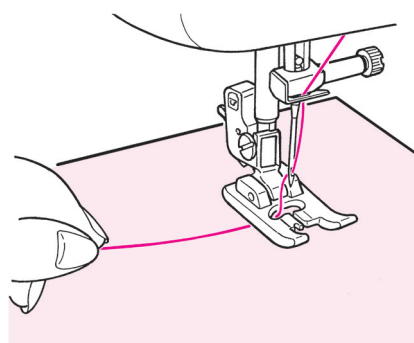
● Enroulez le bord le plus court dans le bord le plus long et cousez le bord du pli.

## Points décoratif et programme un-point

 	Prog. No.	Un-point 00-39
	Pied presseur	Pied presseur pour boutonnière manuelle (I)

**Attention** Éteindre la machine avant de remplacer le pied presseur.

- Après avoir sélectionné un programme, appuyez la touche mémoire MEM  afin que le programme un-point soit cousu. Si la touche mémoire n'est pas appuyé, la machine va coudre continuellement le même programme.

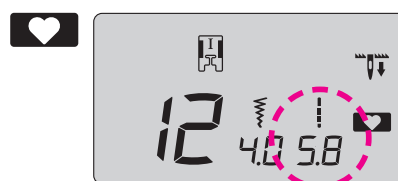


- Placez la matière sous le pied presseur et commencez la couture.

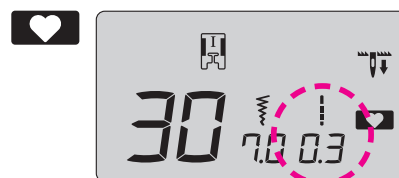
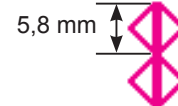
### Affichage de la longueur d'un cycle

Bien que la longueur d'un cycle de couture s'affiche à l'écran, cela ne sera qu'approximatif, car cette longueur pourra varier en fonction du tissu et du fil utilisés.

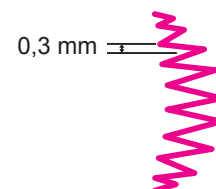
Exemple:





La longueur d'un cycle s'affiche.



La longueur du point du programme s'affiche.

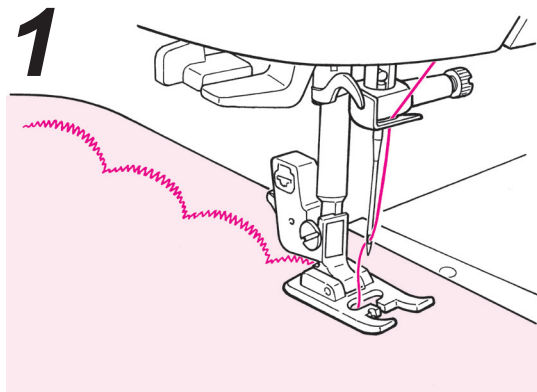


## Points feston

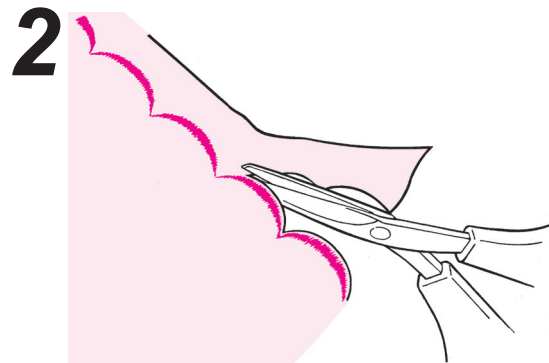
 	Prog. No.	Un-point 30
	Pied presseur	Pied presseur pour boutonnière manuelle (I)

 <b>Attention</b>	Éteindre la machine avant de remplacer le pied presseur.
--	--

Ce point est utilisé pour décorer le bord d'articles comme le linge de table, cols de blouse, etc.





- Afin que la couture soit parfaite, laissez une marge de sécurité et cousez sur le bord de l'article.



- Coupez le tissu avec précaution en suivant la couture.

\* Ajustez la longueur du point décoratif en fonction du type de tissu cousu. Le point ne sera pas net si l'on coud sur du tissu trop épais.



## Quilt

 	Prog. No.	Practical 30~39
	Pied presseur	Pied presseur pour boutonnière manuelle (I)

 <b>Attention</b>	Éteindre la machine avant de remplacer le pied presseur.
--	--

L'utilisation d'un point décoratif, donne une meilleure finition sur les jointure de patchwork. Il est recommandé d'utiliser un fil décoratif comme un fil à broder.

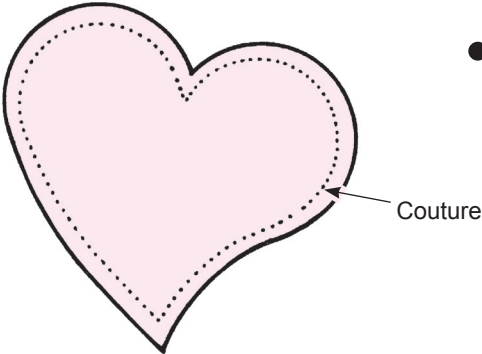
## Motifs Appliqués

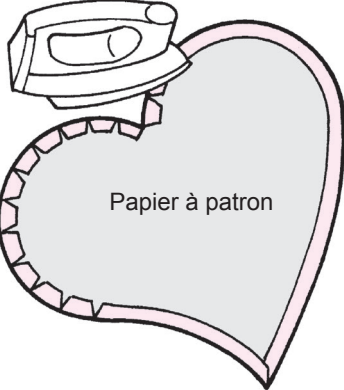
 	Prog. No.	Practical 05
	Pied presseur	Pied pour boutonnière manuelle (I)

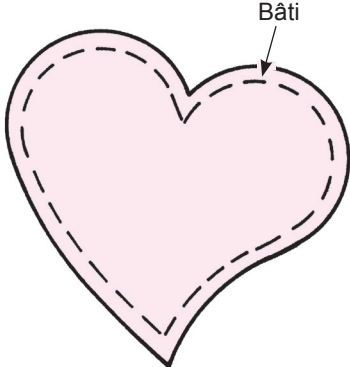
 <b>Attention</b>	<b>Éteindre la machine avant de remplacer le pied presseur.</b>
--	---

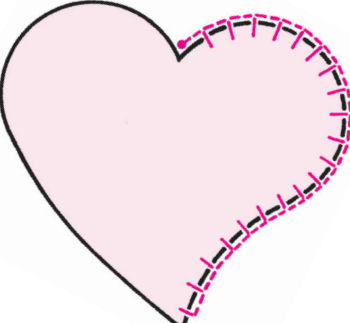
Afin de masquer la couture un motif peut être appliqué.

- 1**


  - **Prévoir que la couture devra se faire 3 à 5cm du bord à l'intérieur du motif à appliquer.**
  
- 2**


  - **Mettre du papier à patron au dos de la matière et replier les bords à l'aide d'un fer à repasser.**
  - **Positionnez le motif sur la tissu sur lequel il sera posé. Fixez le de manière temporaire grâce à de la colle ou des points de bâti.**
  
- 3**


  - **Tournez le volant vers vous et commencez à coudre le long de la partie extérieur du motif appliqué.**  
 Quand vous commencez à coudre, la machine fera automatiquement 3 points noués.  
 \* Lors de la couture d'angle, gardez l'aiguille dans la matière levez le pied presseur, changez de direction de couture et cousez tout doucement.
  
- 4**


  - **Point de sécurité à la fin de la couture.**  
 Appuyez sur le bouton de marche arrière et la machine fera automatiquement 3 points noués.  
 \* Habituellement pour ce type d'opération on utilise l'aiguille au centre mais la position droite ou gauche peut aussi être utilisée.  
**Changement de la position d'aiguille: Voir page 24**



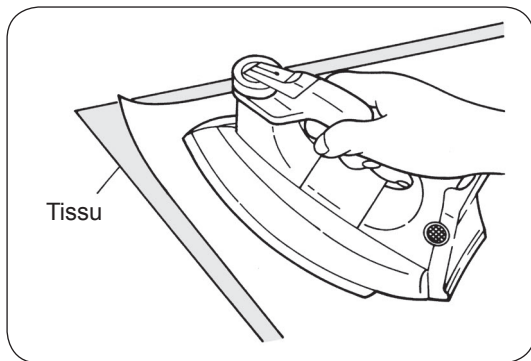
# Lettres et programmes un-point

	Prog. No.	Un-point 00~39 Lettres 00~99
	Pied presseur	Pied pour boutonnière manuelle (I)

**⚠ Attention** Éteindre la machine avant de remplacer le pied presseur.

## ■ Préparation avant la couture

(afin d'avoir une couture parfaite, appliquez de la viseline puis faites un test de couture.)

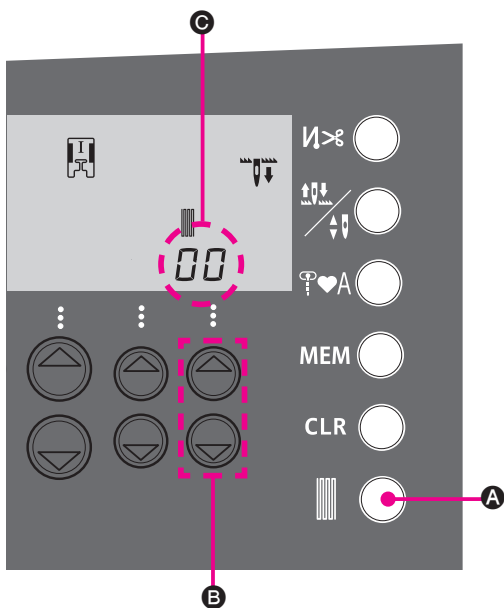


Utilisez un fer électrique pour poser la viseline au verso du tissu.

\* Quand le point devient trop petit, le fil de la canette va ressortir au sur le dessus du tissu et/ou les points peuvent se superposer. De ce fait il est toujours préférable de faire un test de couture.

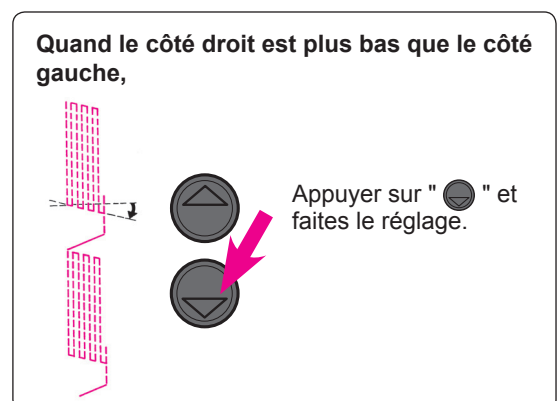
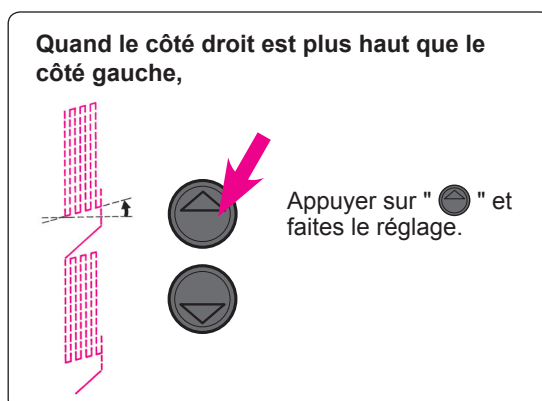
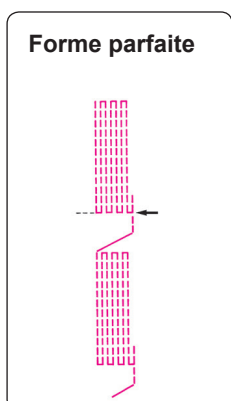
FRANÇAIS

## ■ Test de couture



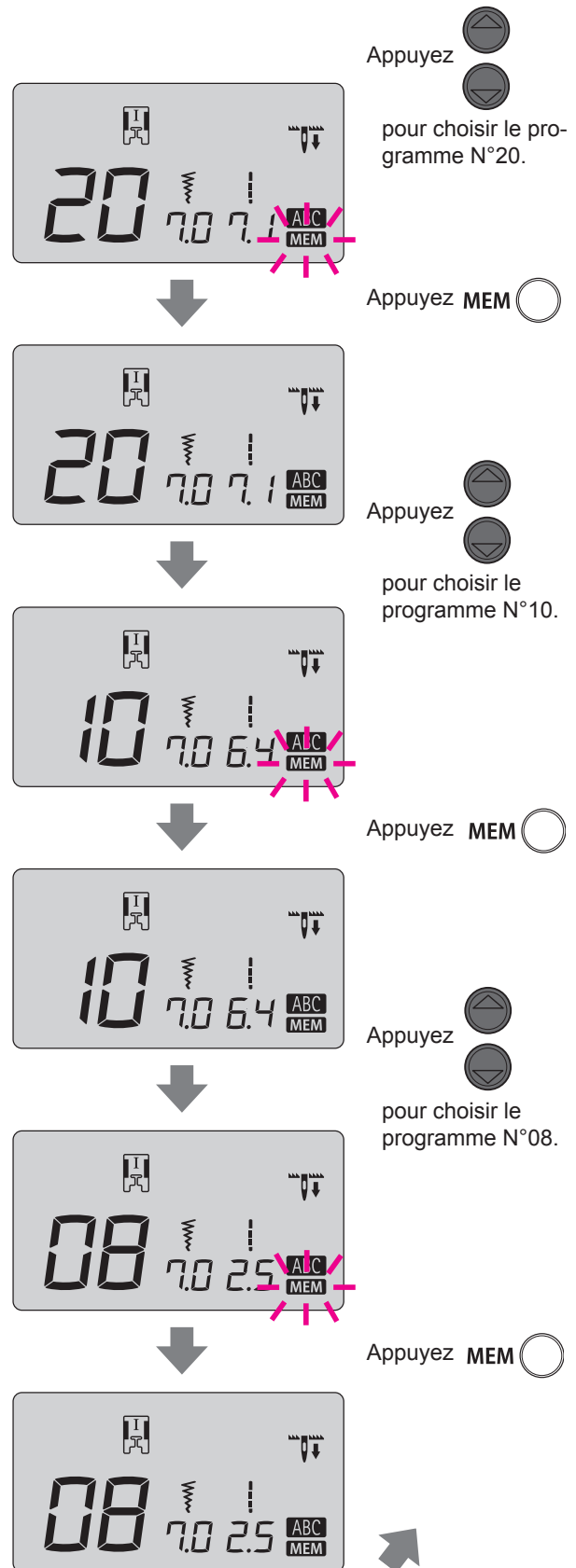
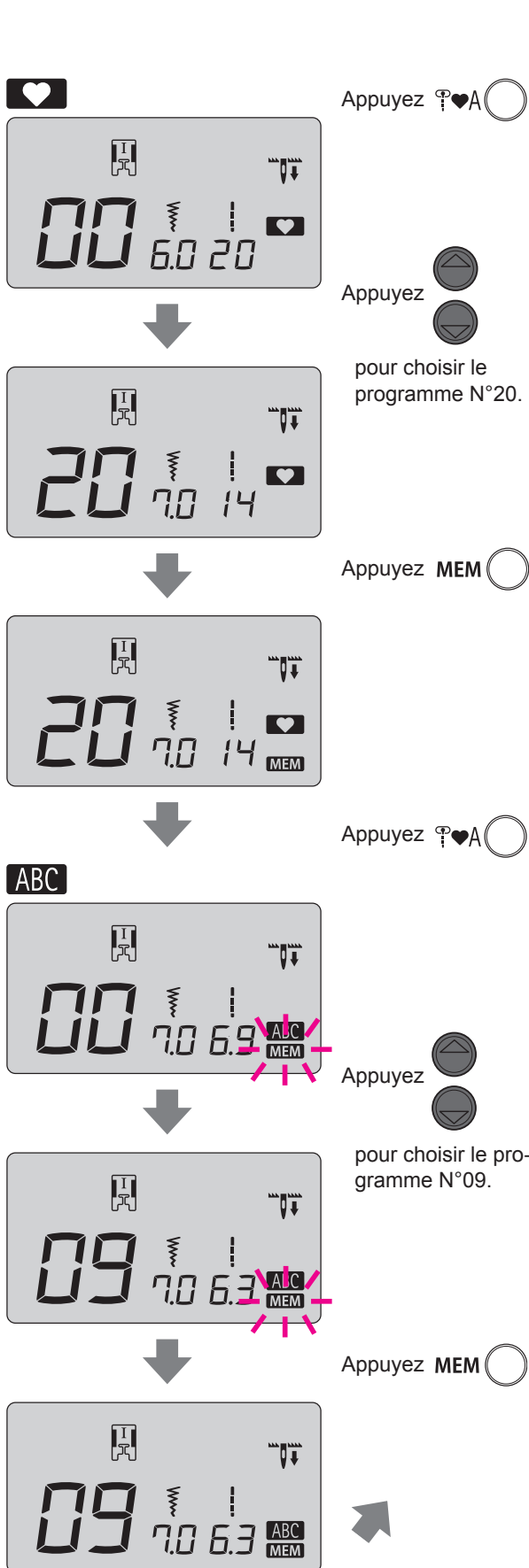
Comme le programme peut être déformé en raison du type de tissu et de son épaisseur et aussi en raison de l'utilisation de viseline, il convient de faire au préalable un test de couture sur le même tissu avec la viseline.

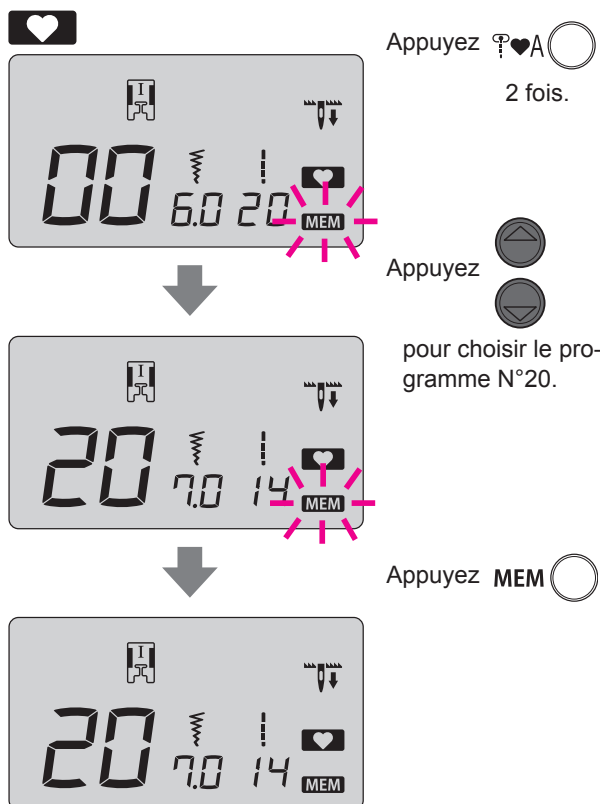
1. Appuyer la touche (A).
2. Installer un pièce de tissu et du fil afin de faire un test de couture.
3. Contrôler le résultat de la couture réalisée. S'il n'est pas convenable, modifier la figure C en ajustant la touche de réglage de la longueur de point B. Possibilité de régler de "-30" à "+30".
4. Quand la touche (A) et encore appuyée, l'écran revient en position normale.



## ■ Comment sélectionner un programme (lettres)

### Exemple





**Quand vous souhaitez changer la taille d'un programme (lettres) ....**

**Mettez le curseur sur le programme souhaité (lettre). Vous pouvez changer la hauteur et largeur:**

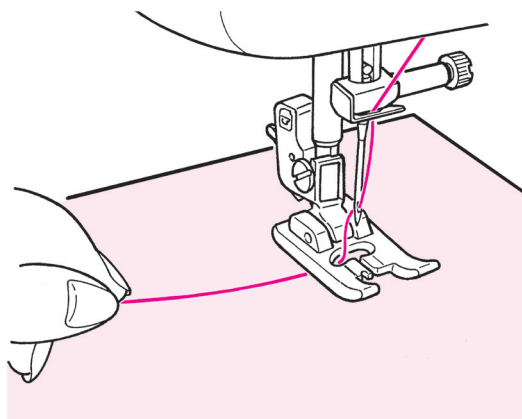
**Hauteur:** Touche d'ajustement de la largeur du zig,zag  
**Largeur:** Touche d'ajustement de la longueur du point

**MEM** Jusqu'à 70 lettres et les programmes 1 point peuvent être stockés dans la mémoire.

● Annulation de lettres et programmes dans la mémoire

**CLR** En appuyant dessus on efface les programmes un à un du dernier au premier. En appuyant dessus de manière continue, tous les programmes de la mémoire seront effacés.

### ■ Comment exécuter un programme (lettres)



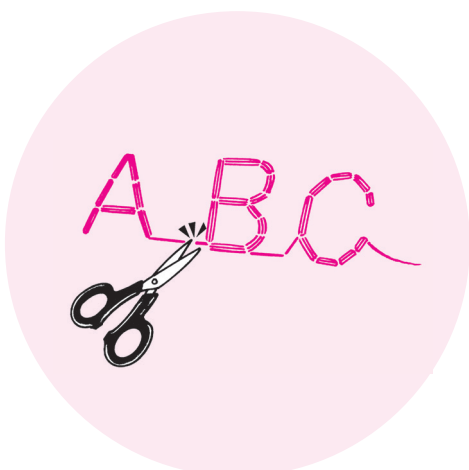
**Placez la matière sous le pied presseur et commencez.**

La machine s'arrêtera automatiquement quand la couture sera finie.

**Notes:**

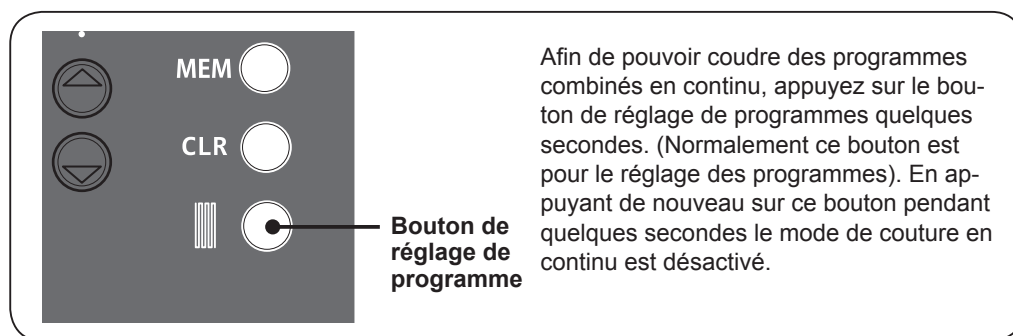
1. La vitesse peut varier en fonction du programme sélectionné.
2. Si le coupe-fil automatique est utilisé pendant la couture, la machine recommencera le programme du début.
3. En cas de couture condensée, si la longueur de point est trop petite, les points peuvent être trop serrés.

### ■ Fils superflus



Supprimez au dos du tissu, à l'aide de ciseaux, les fils superflus.

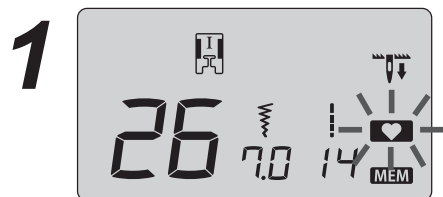
## ■ Comment coudre des programmes combinés en continu




Exemple: en cas de couture



5 fois en continu.



Après avoir mémorisé les programmes, appuyez plusieurs secondes sur la bouton de réglage de programme. Ensuite  clignotera.

2 Commencez à coudre.



Pendant la couture du 5ème cycle de programmes, appuyez sur le bouton de réglage de programme pendant quelques secondes. La machine s'arrêtera après la couture du dernier programme du 5ème cycle.

\* Si vous commencez à coudre sans avoir activé le mode de couture en continu, vous pourrez coudre les programmes en continu en appuyant sur le bouton de réglage de programme pendant quelques secondes. Dans ce cas, en appuyant de nouveau sur ce bouton pendant quelques secondes, la machine s'arrêtera après avoir cousu le dernier programme.

## Accessoires en option

Faites de la couture un véritable moment de plaisir !

Vous pouvez acheter chez votre revendeur spécialisé les accessoires suivants.

- **Pied pour ourlet roulé**

Le bord du tissu est ainsi roulé en dessous. Pour les bas de chemises, chemisiers, et les bords des mouchoirs.

- **Pied pour matelassage (transparent)**

On l'utilise pour la couture libre. Le point zigzag est aussi possible avec ce pied presseur.

- **Pied pose bouton**

Ce pied est utilisé pour coudre des boutons sur tous les types de tissus.

- **Pied presseur broderie et pose cordonnet**

On l'utilise pour la couture libre et un cordonnet peut être cousu avec ce pied presseur.

- **Pied presseur pour perles**

Avec ce pied presseur il est possible de coudre des perles ou de la cordelette épaisse.

- **Pied presseur avec guide**

Le pied à des marques tous les 2mm, qui peuvent servir de guide.

- **Plaque aiguille pour point droit**

A utiliser avec le pied presseur patchwork pour obtenir une meilleure qualité de point.

- **Pied pose biais**

Il est possible de poser des bandes de tissu type biais.

- **Pied presseur ourleur pour zigzag**

Le bord de la matière est ourlé par un zigzag en même qu'il est roulé en dessous. Utilisé pour le bas de chemises, chemisiers et le bord des mouchoirs.

- **Pied pour matelassage (ouvert)**

On l'utilise pour la couture libre. Comme l'avant du pied est ouvert, il est possible de voir le point de pénétration de l'aiguille.

- **Pied pour motif appliqué**

Le devant et l'arrière du pied sont très courts, ce qui facilite le travail en cas de courbe. Le travail est aussi facilité car le pied est transparent.

- **Pied presseur (pour 3 cordelettes)**

Il est possible d'attacher de 1 à 3 cordelettes par zigzag 3 points ou bien grâce à un point décoratif.

- **Pied presseur invisible**

Afin qu'aucune couture n'apparaisse sur le côté droit du tissu, l'ouverture doit être finie avec les bords du tissu rentrés à l'intérieur.

- **Pied presseur lisse**

Pour travailler les matières adhérente comme le vinyl et les matières délicates comme le satin.

- **Emporte pièce pour boutonnière**

Outil permettant de faire le trou de la boutonnière.

- **Rallonge de table**

Pour coudre des travaux de grandes dimensions.

- **Pied presseur ouvert**

Pour réaliser des coutures décoratives et la pose de motifs appliqués. (la partie avant du pied est ouverte afin de permettre une meilleure visibilité.)

- **Pied presseur avec guide**

Pour le patchwork, ou bien coudre au centre pour joindre 2 pièces de tissu en utilisant le guide au centre du pied presseur.

- **Pied entraîneur**

Pour travailler les matières "difficile-à-entraîner" comme le tricot, jersey, vinyl, cuir synthétique et matelassage.

- **Pied presseur pour matelassage**

Pour faire du matelassage (matelassage libre).

- **Pied presseur patchwork**

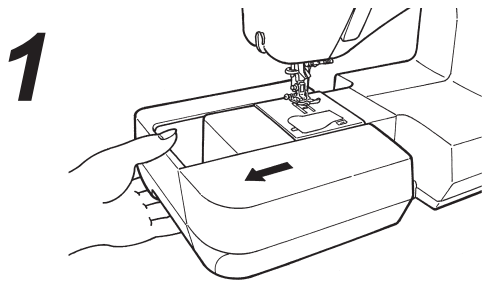
Pour faire du patchwork.

- **Guide pour le matelassage**

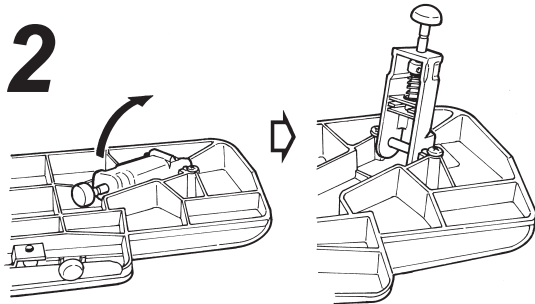
Ce guide permet de faire de ligne de couture à une même distance.

Accessoire en option

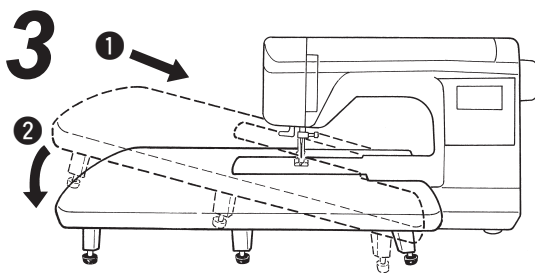
## Comment installer la rallonge



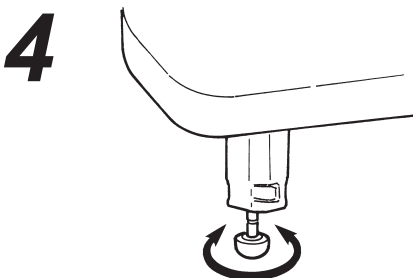
- Retirez le plateau de travail.



- Dépliez les pieds complètement.



- Assemblez la rallonge avec la machine.  
Attachez la au bras libre.



- Ajustez la hauteur des pieds afin que surface de la rallonge soit à la même hauteur que le plateau de la machine.

**Attention**

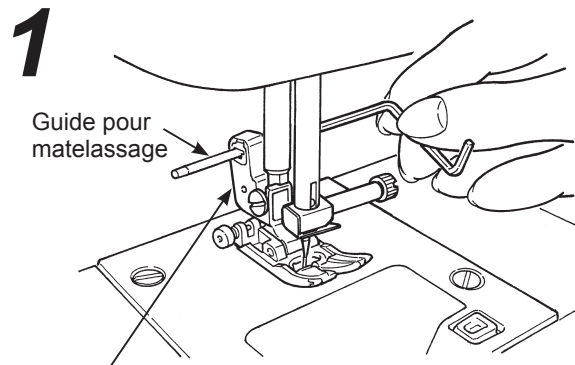
- \* Ne pas mettre d'objet lourd sur la rallonge.
- \* Ne pas bouger la machine avec la rallonge installée.

Accessoire en option

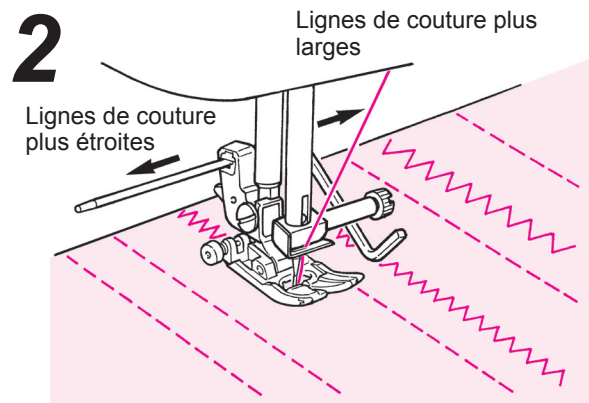
## Comment utiliser le guide pour le matelassage

	Prog. No.	Practical 00, 03
	Pied presseur	Pied presseur standard (A)

**Attention** Éteindre la machine avant de remplacer le pied presseur.



- Insérez le guide dans la fente du support du pied presseur.





- Cousez en vous guidant avec la pointe du guide.  
L'écartement entre les lignes de couture peut être ajusté.



Accessoire en option

## Matelassage avec effet relief

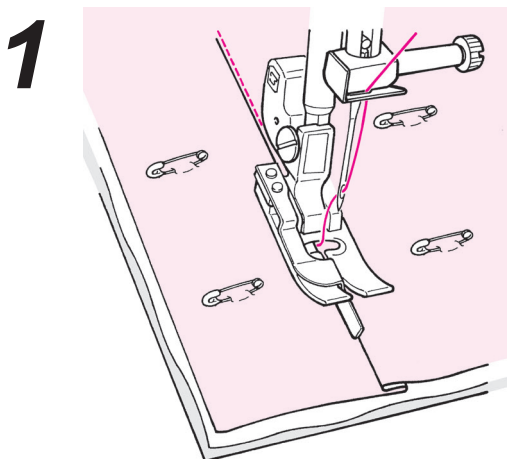
 	Prog. No.	Practical 00
	Pied presseur	Pied presseur avec guide bord (R)



**Attention** Éteindre la machine avant de remplacer le pied presseur.

C'est pour matelasser le bord d'un patchwork. La machine va coudre la partie inférieure (la plus fine) du tissu.

De ce fait, les points seront imperceptibles et cela aura pour effet de donner un effet en trois dimensions (effet relief).



- Assemblez la couche supérieure du patchwork et /ou appliqués, avec du coton à matelasser et la couche inférieure de votre ouvrage avec des épingles ou des points de bâti.

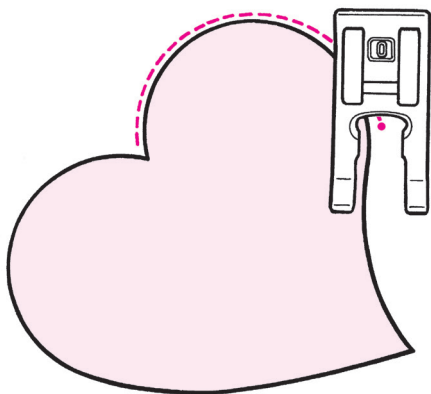
**2**

- Mettez le guide du pied presseur le long du plis et cousez.

L'aiguille pénètre derrière le guide, afin que le bord du plis soit cousu.

\* Si le point désiré n'est pas obtenu, ajustez la position de l'aiguille.

Changement de position de l'aiguille: voir page 24





### ★ Matelassage en courbe

Utilisez le pied pour boutonnière manuelle (I) ou le pied ouvert (O). Cousez en relevant le pied presseur et en changeant souvent de direction.

Cette opération peut aussi être réalisée en matelassage libre (Voir page 48.)

Accessoire en option

## Matelassage (point droit)

 	Prog. No.	Practical 00
	Pied presseur	Pied entraineur (N)

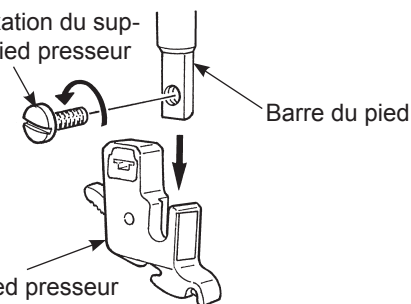


**Attention** Éteindre la machine avant de remplacer le pied presseur.

Le matelassage est l'opération de coudre un tissu, sur une couche de coton à matelasser avec en dessous une autre couche de tissu. En utilisant le pied entraineur, l'ouvrage sera entraîné en même temps par dessus et par dessous, ce qui évitera aux différentes couches de tissus de se décaler l'une par rapport à l'autre.

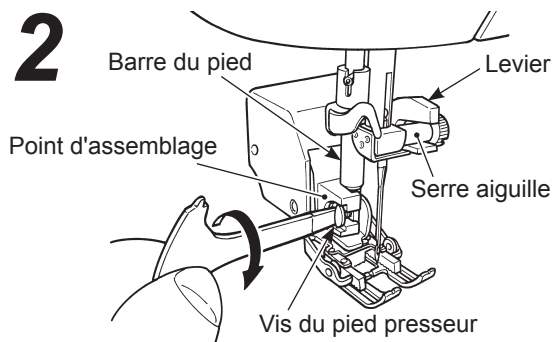
**1**

Vis de fixation du support de pied presseur



- Assemblez le couche supérieure, le coton à matelasser et la couche inférieure de tissu avec des épingles ou des points de bâti.

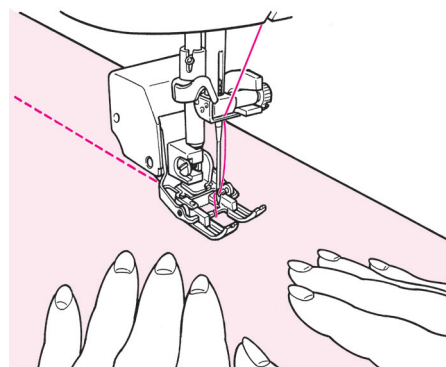
**2**



- Installation du pied entraineur.

Levez la barre de pied. Dévissez la vis du support pied presseur et ôtez le support pied presseur. (Voir page 12) Installez le levier sur le serre aiguille et insérez le point d'assemblage à la barre de pied et vissez la vis du pied presseur.



**3**



- Placez vos mains de chaque côté du pied et cousez en poussant la matière.

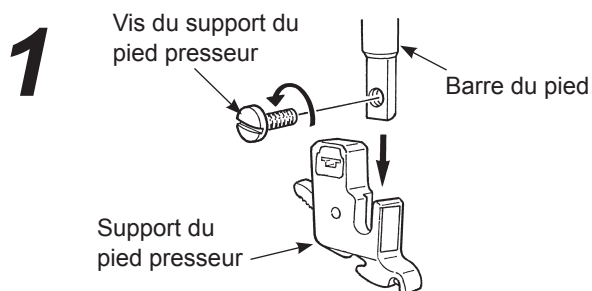
\* Cousez à vitesse réduite

## Matelassage (libre)

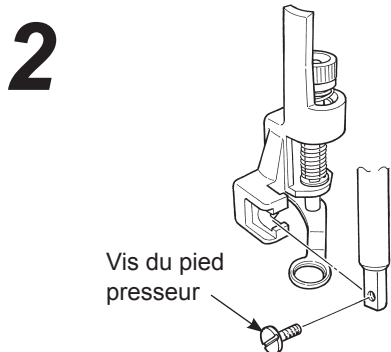
 	Prog. No.	Practical 00
	Pied presseur	Quilt presser foot (Q)

**Attention** Éteindre la machine avant de remplacer le pied presseur.

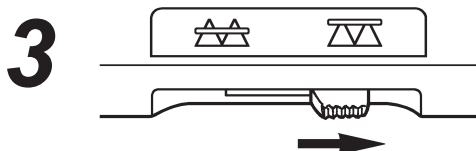
On appelle matelassage libre quand on bouge librement la matière dans tous les sens sans utiliser la griffe de la machine. Quand la griffe est abaissée (drop feed), il est possible de coudre en courbes et/ou dans toutes les directions en dirigeant le tissu avec les mains.



- Mettez la couche supérieure du patchwork et/ou appliqué, le coton de matelassage et la partie inférieure ensemble à l'aide d'épingles ou de points de bâti.

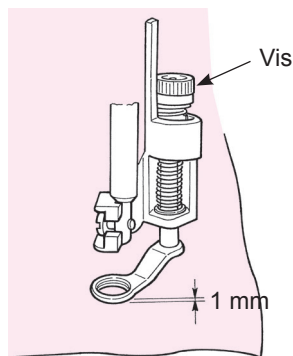


- **Installez le pied matelassage.**  
Levez la barre du pied. Dévissez la vis du support du pied presseur et enlevez le support du pied. (Voir page 12) Installez le pied matelassage et vissez la vis du pied presseur.



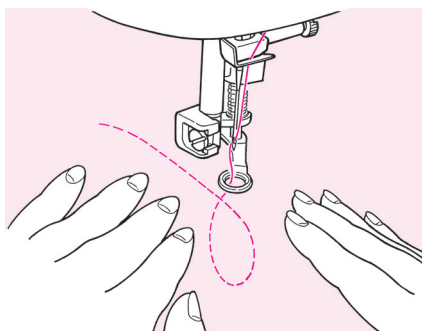
- **Positionnez à droite le curseur qui permet l'escamotage de la griffe.**  
La griffe est maintenant en position basse.

**4**



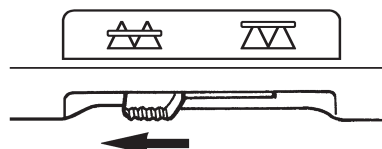
- Placez le tissu sous le pied presseur puis abaissez le pied presseur.
- Ajustez, grâce à la vis, la hauteur du pied presseur en fonction de l'épaisseur du tissu. Quand la hauteur est à 1mm de la surface du tissu, cela sera plus facile de faire bouger le tissu.

**5**



- Utilisez vos 2 mains pour maintenir et diriger le tissu sans que celui-ci soit trop lâche. La longueur de point pour cette opération est en général entre 1.5 et 2.0mm.

**6**



- Quand la couture libre est terminée, positionnez à gauche le curseur qui permet l'escamotage de la griffe. La griffe sera en position haute et sera prête pour un nouveau programme de couture.

### Astuces

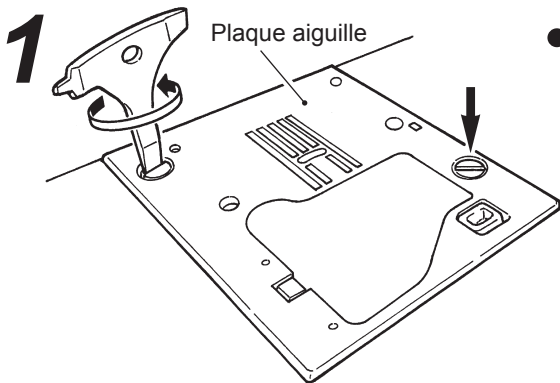
- **Comment faire des points de sécurité**
  1. Au départ de la couture, tirez le fil de la canette au dessus du tissu, tenez ensemble le fil de la canette et de l'aiguille et faites 3 points sur les points de départ. Ensuite bougez le tissu comme vous le souhaitez. De cette façon, les points sur le verso du tissu seront nets.
  2. A la fin de la couture faites 3 points sur les points de départ puis arrêtez.
- **Comment faire des points de la même longueur**
  1. Quand on utilise le rhéostat, le tissu peut être guidé avec les 2 mains ce qui permet une plus grande précision.
  2. Réglez d'abord la machine en vitesse moyenne, et ensuite appuyez à fond sur le rhéostat et bougez le tissu.
    - si les points sont trop grand, réglez la machine sur une vitesse plus rapide.
    - si les points sont trop petit, réglez la machine sur une vitesse plus lente.

☆ Pour la couture libre avec un point zigzag, utilisez le pied matelasseur (transparent) qui peut se trouver en option chez votre revendeur.

# Entretien de la machine

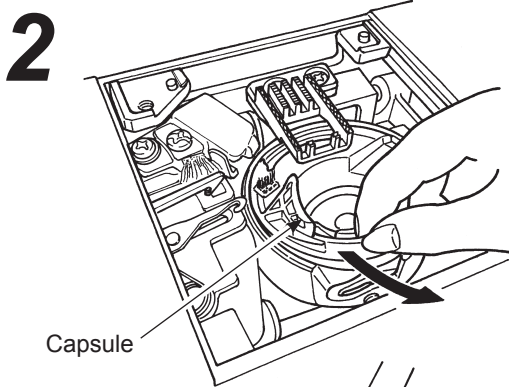
Quand il y a des déchets ou de la poussière, cela peut endommager la machine. Nettoyez fréquemment la machine.

**⚠ Attention** La prise de courant doit toujours être débranchée avant de retirer la plaque aiguille ou bien le boîtier à canette.

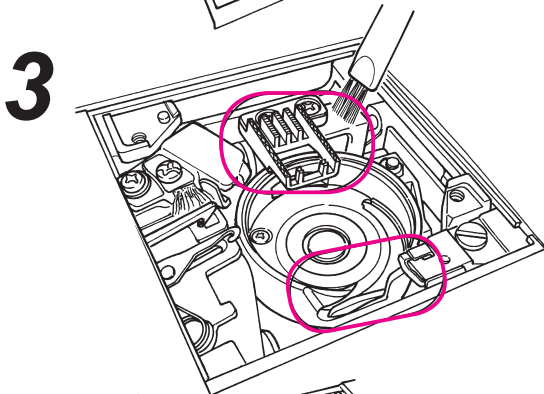


● **Retirez la plaque aiguille**

Retirez l'aiguille et le pied presseur et retirez la plaque aiguille en utilisant le tournevis en T.

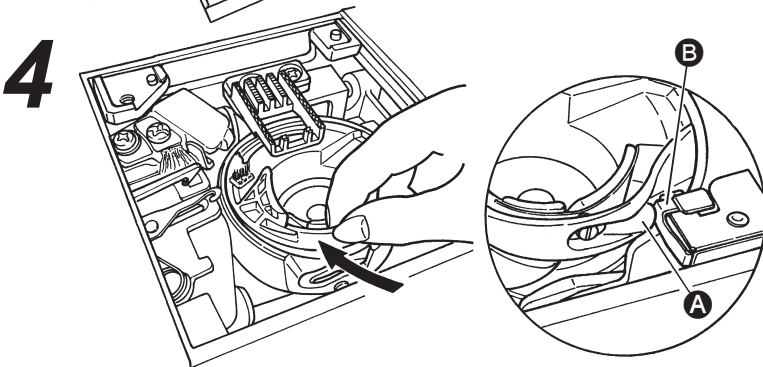


● **Retirez la capsule.**



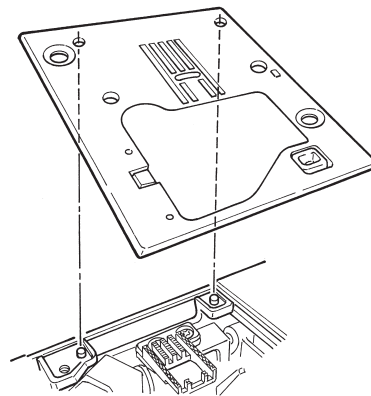
● **Otez les déchets et la poussière.**

Nettoyez la partie entre les griffes et le crochet avec la brosse de nettoyage.



● **Remettez la capsule.**

Mettez la capsule en place afin que les points **A** et **B** se touchent.



● **Installez la plaque aiguille.**

Insérez les 2 ergots dans les trous de la plaque aiguille.

## Problèmes éventuels et remèdes simples

Si vous recontrez des difficultés, vérifiez d'abord que vous avez bien suivi les instructions.

Sinon, essayez de résoudre votre problème à l'aide du tableau ci-dessous.

Problème	Raison	Solutions	Page
<ul style="list-style-type: none"> <li>La machine s'arrête de coudre soudainement. (Uniquement dans le cas où vous pouvez tourner le volant.)</li> </ul>	<ul style="list-style-type: none"> <li>La machine coud en vitesse lente. (Il existe un système de sécurité qui arrête automatiquement la machine pour éviter toute surchauffe.)</li> </ul>	<ul style="list-style-type: none"> <li>Eteindre la machine et attendre 10 minutes avant de la rallumer. Le mécanisme de sécurité sera réinitialisé et la machine fonctionnera à nouveau normalement.</li> </ul>	3
<ul style="list-style-type: none"> <li>La machine s'arrête pendant la couture (poulie difficile à tourner)</li> </ul>	<ul style="list-style-type: none"> <li>Si le fil s'emmêle et/ou l'aiguille est tordue, le moteur va se bloquer et le mécanisme de sécurité va arrêter le fonctionnement de la machine.</li> </ul>	<ul style="list-style-type: none"> <li>Supprimer les fils qui s'emmêlent.</li> <li>Contrôler si l'aiguille est tordue ou non.</li> <li>* Eteindre la machine avant de contrôler l'aiguille.</li> </ul>	- 18
<ul style="list-style-type: none"> <li>La machine s'arrête après avoir cousue quelques points.</li> </ul>	<ul style="list-style-type: none"> <li>Lorsque que la température ambiante est basse et/ou le fil s'emmêle, ou en cas de charge trop importante du moteur, le mécanisme de sécurité se déclenche et arrête le travail de couture afin que la machine ne surchauffe pas.</li> </ul>	<ul style="list-style-type: none"> <li>Laisser la machine la pièce où elle sera utilisée afin qu'elle puisse s'adapter à la température ambiante.</li> <li>Supprimer les fils qui s'emmêlent.</li> </ul>	3 -
<ul style="list-style-type: none"> <li>La machine ne démarre pas.</li> </ul>	<ul style="list-style-type: none"> <li>Le pied presseur est en position haute.</li> </ul>	<ul style="list-style-type: none"> <li>Abaissez le pied presseur et débutez la couture.</li> </ul>	9
<ul style="list-style-type: none"> <li>La machine ne démarre pas même quand le bouton start/stop est appuyé. (Dans ce cas la lumière est allumée.)</li> </ul>	<ul style="list-style-type: none"> <li>L'aiguille tape dans le pied presseur à cause de l'installation d'un pied inadapté.</li> <li>L'aiguille est dans la zone du crochet.</li> </ul>	<ul style="list-style-type: none"> <li>Utilisez le bon pied presseur pour le programme sélectionné.</li> <li>Retirez l'aiguille de la zone du crochet.</li> </ul>	- -
<ul style="list-style-type: none"> <li>Casse de l'aiguille.</li> </ul>	<ul style="list-style-type: none"> <li>Matière épaisse cousue avec une aiguille trop fine.</li> <li>L'aiguille n'est pas insérée à fond.</li> <li>La vis serre-aiguille n'est pas correctement vissée.</li> <li>Utilisation du mauvais pied presseur par rapport au programme sélectionné.</li> </ul>	<ul style="list-style-type: none"> <li>Contrôlez la combinaison matière, fil et aiguille.</li> <li>Contrôlez l'installation de l'aiguille.</li> <li>Vissez correctement la vis serre-aiguille.</li> <li>Contrôlez la combinaison du programme et du bon pied presseur à utiliser.</li> </ul>	18 18 18 -
<ul style="list-style-type: none"> <li>Machine dure et bruyante pendant la couture.</li> </ul>	<ul style="list-style-type: none"> <li>Déchets ou poussière accumulés près de la griffe.</li> <li>Déchets ou poussière accumulés dans le crochet.</li> </ul>	<ul style="list-style-type: none"> <li>Nettoyez la zone de la griffe.</li> <li>Nettoyez la zone du crochet.</li> </ul>	49 49
<ul style="list-style-type: none"> <li>La machine n'entraîne pas le tissu.</li> </ul>	<ul style="list-style-type: none"> <li>La longueur de point est réglée sur "0".</li> <li>Tissu souple, comme des serviettes, sont cousus.</li> <li>La machine est réglée avec la griffe en position basse. (Le bouton de l'escamotage de griffe est positionné sur la droite.)</li> </ul>	<ul style="list-style-type: none"> <li>Quand on re-sélectionne un programme, la machine revient au réglage par défaut.</li> <li>La longueur de point doit être entre 3 – 5.</li> <li>Mettez la griffe en position haute.</li> </ul>	24 - 19

Problème	Raison	Solutions	Page
<ul style="list-style-type: none"> <li>● L'aiguille ne peut être enfilée. (Dans le cas où l'enfileur de l'aiguille ne tourne pas.)</li> <li>● Le crochet de l'enfileur ne passe pas à travers le chas de l'aiguille.</li> </ul>	<ul style="list-style-type: none"> <li>● L'aiguille n'est pas en position haute. (Quand l'aiguille n'est pas en position haute, l'enfileur ne tournera pas. Ceci afin d'éviter d'endommager le crochet.)</li> <li>● L'aiguille n'est pas insérée à fond.</li> </ul>	<ul style="list-style-type: none"> <li>● Tournez le volant pour remonter l'aiguille.</li> <li>● Contrôlez l'installation de l'aiguille.</li> </ul>	16 18
<ul style="list-style-type: none"> <li>● Le levier d'enfilage du fil de l'aiguille ne retourne pas à sa position d'origine et la machine ne peut pas fonctionner correctement (c'est le cas quand le crochet de l'enfileur reste dans le chas de l'aiguille)</li> </ul>	<ul style="list-style-type: none"> <li>● Le volant est tourné par erreur quand le levier d'enfilage est en position basse. (pendant le processus d'enfilage de l'aiguille.)</li> </ul>	<ul style="list-style-type: none"> <li>● Tournez un petit peu le volant à l'opposé de vous. (à l'opposé du sens de couture).</li> </ul>	-
<ul style="list-style-type: none"> <li>● La machine ne coud pas lorsque l'on appui sur le bouton Start.</li> </ul>	<ul style="list-style-type: none"> <li>● Le rhéostat est branché.</li> </ul>	<ul style="list-style-type: none"> <li>● Le bouton Marche/arrêt fonctionnera quand le rhéostat sera débranché.</li> </ul>	8
<ul style="list-style-type: none"> <li>● Casse de fils.</li> <li>● Point de manque.</li> </ul>	<ul style="list-style-type: none"> <li>● La machine est mal enfilée.</li> <li>● Il y a des noeuds ou des pluches sur le fil.</li> <li>● Le réglage de la tension manuelle du fil n'est pas bon.</li> <li>● L'aiguille est tordue ou la pointe est abimée.</li> <li>● L'aiguille est mal mise.</li> <li>● L'enfilage du fil de la canette n'est pas correct.</li> <li>● La canette ne tourne pas aisément dans son logement.</li> <li>● La taille de l'aiguille ne correspond pas au fil.</li> <li>● Le releveur de fil n'est pas enfilé.</li> </ul>	<ul style="list-style-type: none"> <li>● Renfilez la machine correctement.</li> <li>● Retirez les noeuds ou les pluches du fil.</li> <li>● Ajustez manuellement la tension du fil en fonction du tissu et du fil.</li> <li>● Changez l'aiguille.</li> <li>● Remettre correctement l'aiguille.</li> <li>● Contrôlez la bonne façon d'installez le fil de la canette.</li> <li>● Contrôlez la bonne façon de bobiner le fil de la canette.</li> <li>● Contrôlez la combinaison fil/ aiguille.</li> <li>● Renfilez correctement la machine.</li> </ul>	16 - 19 18 18 15 - 18 16
<ul style="list-style-type: none"> <li>● Tension du fil n'est pas bonne.</li> </ul>	<ul style="list-style-type: none"> <li>● Le fil de l'aiguille n'est pas bien enfilé.</li> <li>● Le fil de la canette n'est pas bien enfilé.</li> <li>● La coiffe de bobine ne va pas avec la bobine.</li> </ul>	<ul style="list-style-type: none"> <li>● Refaire correctement l'enfilage.</li> <li>● Refaire correctement l'enfilage</li> <li>● Remettre la coiffe dans le bon sens.</li> </ul>	16 15 16
<ul style="list-style-type: none"> <li>● Fronçes.</li> </ul>	<ul style="list-style-type: none"> <li>● La longueur de point est trop importante sur les tissus légers.</li> <li>● La pointe de l'aiguille est cassée.</li> </ul>	<ul style="list-style-type: none"> <li>● Réduire la longueur du point</li> <li>● Changez l'aiguille.</li> </ul>	24 18

## Liste des programmes



00 01 02 03 04 05 06 07 08 09



10 11 12 13 14 15 16 17 18 19 20 21 22



23 24 25 26 27 28 29 30 31 32 33 34 35 36 37 38 39



Un-point

00 01 02 03 04 05 06 07 08 09 10 11 12 13 14 15 16 17 18 19



20 21 22 23 24 25 26 27 28 29 30 31 32 33 34 35 36 37 38 39



Lettres/numéros/signes

00 01 02 03 04 05 06 07 08 09 10 11 12 13 14 15 16 17 18 19 20 21 22 23 24 25

A B C D E F G H I J K L M N O P Q R S T U V W X Y Z

26 27 28 29 30 31 32 33 34 35 36 37 38 39 40 41 42 43 44 45 46 47 48 49 50 51

a b c d e f g h i j k l m n o p q r s t u v w x y z

52 53 54 55 56 57 58 59 60 61 62 63 64 65 66 67 68 69 70 71 72 73 74 75

1 2 3 4 5 6 7 8 9 0 @ ! ? & □ □ □ □ □ □ □ □ / : ;

76 77 78 79 80 81 82 83 84 85 86 87 88 89 90 91 92 93 94 95 96 97 98 99

À Á Â Æ à ä å è é ê ë Ç œ ç ì Ñ ñ Ò Ø ò ö ø Û ü ù



# “ISTRUZIONI IMPORTANTI RIGUARDO LA SICUREZZA”

Usando un oggetto elettrico bisogna osservare le seguenti prescrizioni di sicurezza:

## “PERICOLO \_\_\_\_ Per ridurre il rischio di scosse elettriche:”


1. L'apparecchio non deve mai essere lasciato incustodito, finché è collegato alla corrente.
2. A termine di lavoro e prima di pulire la macchina staccare sempre la spina dalla presa di corrente.

## “AVVERTIMENTI \_\_\_\_ Per evitare incidenti come bruciature, incendi, scosse elettriche e ferite osservare i punti seguenti:”

1. Non permettere che l'apparecchio venga usato come un giocattolo. È necessario prestare molta attenzione quando l'apparecchio viene usato da o vicino a bambini. Questa macchina per cucire può essere usata da bambini dagli 8 anni in su e da persone con ridotte capacità fisiche, sensoriali o mentali o con mancanza di esperienza e conoscenza, se assistite da un supervisore che ne curi il controllo e l'istruzione all'uso corretto della macchina per cucire. Pulizia e manutenzione da parte dell'utente non devono essere eseguite dai bambini senza la supervisione di un adulto.
2. Usare questa macchina solamente come mezzo per ottenere lo scopo spiegato in questo libretto d'istruzioni. Usare solo gli accessori raccomandati dal produttore.
3. Non usare la macchina, se il cavo o la spina sono difettosi, se la macchina cuce con problemi, se la macchina è caduta o danneggiata oppure se la macchina è caduta in acqua. Portare la macchina dal rivenditore o dallo specialista per farla revisionare oppure riparare.
4. Durante l'uso della macchina fare attenzione di non bloccare gli intagli di aereazione e tenerli liberi da pelucchi, polvere e residui di stoffa.
5. Tenere lontano le mani da tutti i pezzi in movimento. Prestare particolarmente prudenza nelle vicinanze degli aghi.
6. Usare sempre una placca d'ago originale. Una placca sbagliata può provocare la rottura degli aghi.
7. Non usare aghi storti o curvati.
8. Durante la cucitura non tirare o spingere la stoffa, ciò può provocare la rottura degli aghi.
9. Spegnerla macchina per cucire “O” quando si effettuano le regolazioni nella zona dell'ago, come l'infilatura dell'ago, la sostituzione dell'ago, l'infilatura della bobina o la sostituzione del piedino premistoffa.
10. Durante le operazioni di manutenzione a macchina aperta spiegate in questo libretto d'istruzione come per es. la pulizia, la sostituzione della lampadina o l'infilatura dei crochets ecc., staccare sempre la macchina dalla rete elettrica estraendo la spina dalla presa di corrente.
11. Non introdurre degli oggetti nelle aperture della macchina.
12. Non usare la macchina all'aria aperta.
13. Non usare la macchina in un locale dove vengono usati dei prodotti contenenti del gas (p. es. bombolette spray) oppure dell'ossigeno.
14. Per disinserire la macchina mettere l'interruttore principale su “0” e togliere la spina dalla presa di corrente.
15. Staccare la corrente tirando la spina e non il cavo.
16. Se l'oggetto elettrico non viene usato, staccarlo sempre dalla rete elettrica estraendo la spina dalla presa di corrente.
17. Nel caso il cavo di alimentazione venga danneggiato, deve essere sostituito con un cavo di alimentazione speciale che potrete richiedere al vostro rivenditore autorizzato o centro di manutenzione più vicino.
18. (Tranne USA/Canada) Questa macchina è dotata di doppio isolamento. Utilizzare solo ricambi originali. Vedere le istruzioni per la manutenzione della Macchina a doppio isolamento.

## “MANUTENZIONE DI PRODOTTI CON DOPPIO ISOLAMENTO”

Un prodotto con doppio isolamento è dotato di due unità di isolamento invece di una presa di terra. Un prodotto con doppio isolamento non contiene materiale di presa di terra. Il prodotto con doppio isolamento richiede una manutenzione precisa ed una buona conoscenza del sistema. Per questo motivo la manutenzione di questi prodotti deve essere effettuata unicamente da personale qualificato. Per servizio e riparazione usare solamente pezzi di ricambio originali. Un prodotto con doppio isolamento è contrassegnato con la scritta: “Doppio isolamento”.

Il prodotto può portare anche il simbolo .

## “SI PREGA DI CONSERVARE CON CURA QUESTE PRESCRIZIONI DI SICUREZZA”

“Questa macchina per cucire è destinata al solo uso domestico.”

Congratulazioni per l'acquisto di una macchina per cucire JUKI.



Assicuratevi di aver letto le precauzioni per la sicurezza nella sezione " Come usare la macchina per cucire in sicurezza " nel manuale di istruzioni, prima di utilizzarla, per capire nella loro completezza le funzioni e le procedure d'uso della macchina per cucire, così da poterla usare per molti anni.

Dopo aver letto il manuale d'istruzione, assicuratevi di conservarlo con la garanzia, così lo potete consultare qualora sia necessario.

## Per usare la macchina per cucire in sicurezza

I simboli e i pittogrammi inclusi nel manuale d'istruzioni e mostrati sulla macchina per cucire, sono usati per assicurare l'uso sicuro della macchina per cucire e per prevenire possibili rischi di infortuni all'utilizzatore e ad altre persone.

I simboli di pericolo sono usati per vari scopi, come descritto sotto:

 <b>ATTENZIONE</b>	Indica che c'è il possibile rischio di morte o seri infortuni se questo simbolo è ignorato e la macchina per cucire viene usata in modo errato.
 <b>PRECAUZIONE</b>	Indicano le operazioni, ect. che possono causare un possibile rischio di infortuni e/o danni fisici se questo simbolo è ignorato e la macchina per cucire è usata in modo errato.

I seguenti pittogrammi indicano:

	Avviso di pericolo non specificato		Rischio di scossa		Rischio di incendio		Rischio di ferite alle mani, ect.
	Proibizione non specificata		Proibito smontaggio/modifica		Non mettere le dita sotto l'ago		Non versare olio, ect.
	Tenere un comportamento responsabile		Scollegare la presa di corrente				

## **! ATTENZIONE**

Per la combinazione di materiali con filo ed ago, nel particolare, fate riferimento alla tabella esplicativa nella sezione "Sostituzione dell'ago".

Se l'ago o il filo non sono adatti al tessuto, come nel caso in cui un tessuto extra-pesante (come il denim) sia cucito con un ago sottile (#11 o più alto) l'ago potrebbe rompersi, causando anche un infortunio.

### **Altre precauzioni**

- Non esporre la macchina per cucire alla luce diretta del sole o all'umidità.



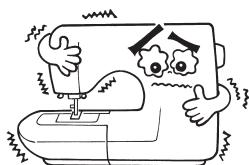
- Per la pulizia della macchina, non usare solventi o sostanze simili.

Quando la macchina è unta, mettete una piccola quantità di detergente neutro su un pezzo di stoffa morbida e con attenzione pulite la macchina.



Fate attenzione perchè i seguenti casi possono verificarsi in quanto la macchina incorpora parti elettroniche semiconduttrici e circuiti elettronici.

- Assicuratevi di usare la macchina a temperatura compresa tra i 5°C e i 40°C. Se la temperatura è troppo bassa la macchina può non funzionare correttamente.



- Quando si cuce lentamente e a lungo, un meccanismo di sicurezza blocca la macchina per cucire in modo da prevenirne il surriscaldamento. In tal caso, il tasto di avviamento e arresto non si accende.

La macchina per cucire tornerà al suo funzionamento normale dopo circa 10 minuti.



\* La temperatura di uso della macchina è compresa tra i 5°C e i 40°C. non usate la macchina sotto la luce solare diretta, o vicino ad oggetti che bruciano come stufe o candele, o in posti umidi. Così facendo aumenta la temperatura interna della macchina o il rivestimento del cavo di alimentazione si potrebbe sciogliere con il rischio di incendio o di scossa elettrica.

# INDICE

Importanti istruzioni per la sicurezza .....	1~3
Parti principali .....	5
Accessori .....	6

## Operazioni di base

Funzioni dei tasti funzione .....	7
Collegamento all'alimentazione .....	8
Controllo velocità .....	9
Leva di sollevamento .....	9
Nome e funzioni degli altri tasti funzione .....	10, 11
Sostituzione del piedino .....	12, 13
Preparazione del filo della bobina .....	14, 15
Preparazione del filo dell'ago .....	16, 17
Infilatura del filo dell'ago	
Infila ago automatico	
Estrarre il filo della bobina	
Inserimento ago .....	18
Tabella per tessuto, filato e aghi .....	18
Come regolare la tensione del filo .....	19
Come abbassare la griffa di trasporto .....	19
Come selezionare un punto .....	20, 21

## Cucitura pratica

Punti dritti .....	22~26
Come usare le linee di riferimento sulla placca ago	
Come cambiare le posizioni dell'ago	
Come cambiare la lunghezza del punto	
Punto annodato automatico e taglio filo programmato	
Altri punti dritti	
Punto zig-zag .....	26
Sopraggitto .....	27
Punto invisibile .....	28, 29
Punti per asole .....	30~33
Asola standard	
Asola a goccia	
Asola con cordoncino	
Regolazione dell'ampiezza dell'asola	
Regolazione della densità della cucitura	
Travettatura .....	34
Applicazione chiusure lampo .....	35, 36
Applicazione a sovrapposizione	
Applicazione centrata	
Arricciatura e plissettatura .....	37
Pieghe cucite ornamentali .....	37
Cucitura dell'orlo invisibile .....	38
Punti decorativi e motivi a un punto .....	38
Punto smerlo .....	39

## Trapunto patchwork

Quilt .....	39
Applicazioni .....	40

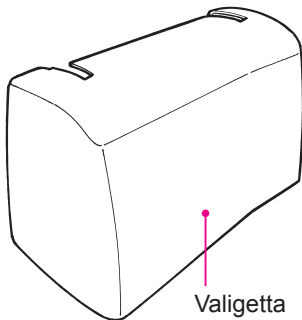
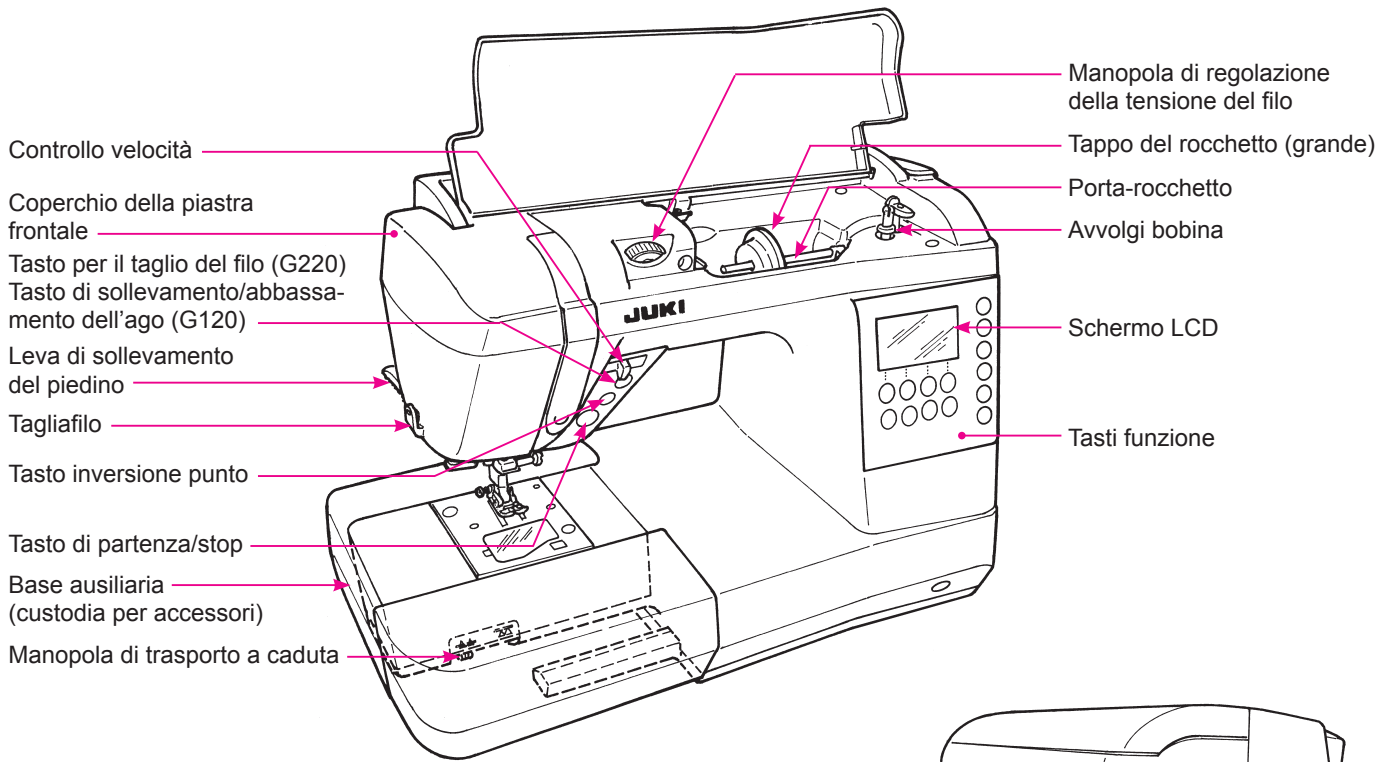
## Punti decorativi

Cucire lettere e motivi a un punto .....	41~43
Preparazione prima della cucitura .....	41
Prova di cucitura .....	41
Come selezionare i punti (lettere) .....	42, 43
Come cucire un punto (lettere) .....	43
Eliminazione delle estremità dei fili dei punti saltati .....	43
Come cucire in modo continuativo una combinazione di punti decorativi .....	44

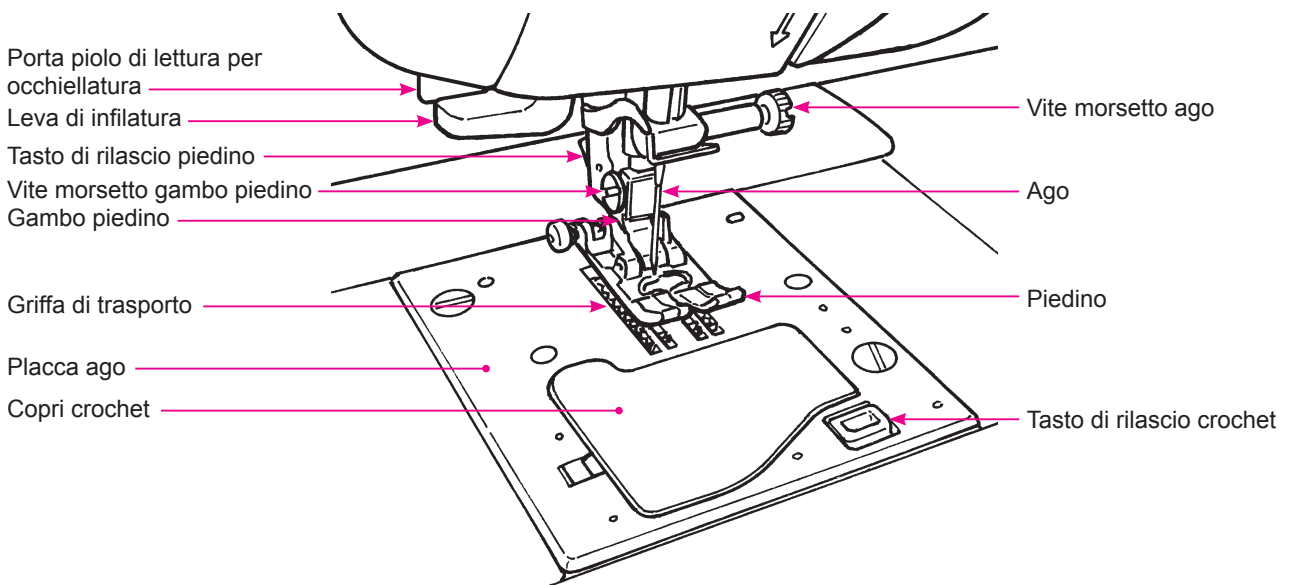
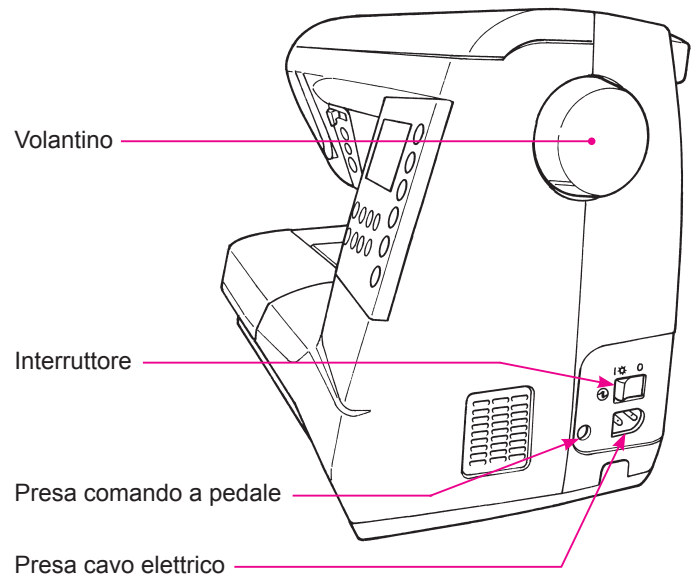
## Parte degli accessori optional

Introduzione agli accessori opzionali .....	44, 45
Come installare la tavola larga .....	46
Come usare la guida trapunto .....	46
Punti nella linea di trapunto .....	47
Trapunto (punto diritto) .....	47
Trapunto (senza trasporto automatico) .....	48
Manutenzione della macchina .....	49
Risoluzione dei problemi .....	50, 51
Elenco dei punti .....	52
Specifiche .....	coperchio posteriore

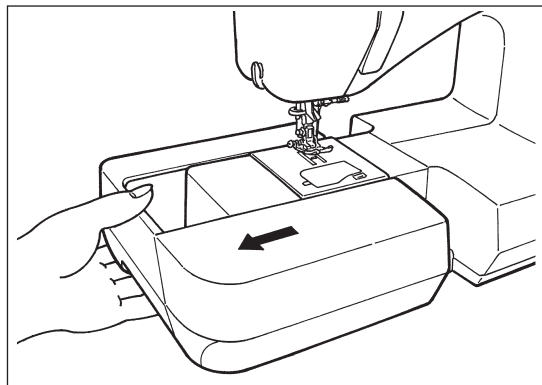
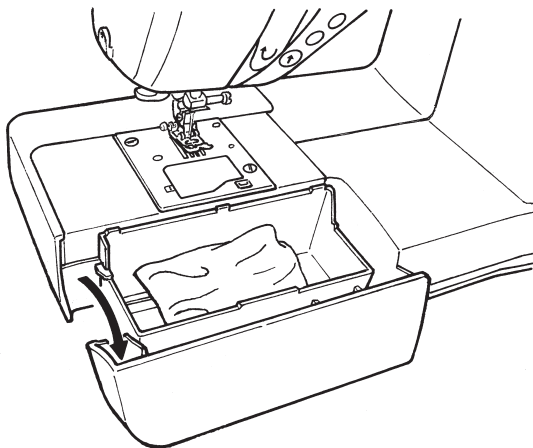
# Parti principali



\* Non appoggiare oggetti pesanti sulla valigetta e sulla tavola larga.

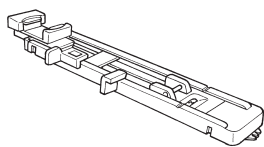


## Accessori



Estrarre la base ausiliaria verso il lato sinistro.

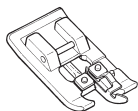
### • All'interno della base ausiliaria.



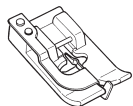
Piedino per asole (E)



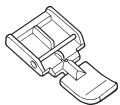
Piedino per asole manuali (I)



Piedino sopraggitto (C)



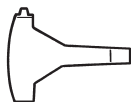
Piedino punto invisibile (D)



Piedino per chiusure lampo (B)



Bobine (3)



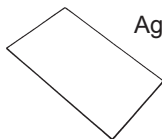
Cacciavite a T



Taglierino / Spazzola per pulire

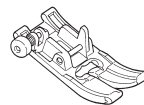


Tappo del rocchetto (piccolo)



Aghi  
HA X 1 No. 11 (1)  
No. 14 (1)  
No. 16 (1)  
per maglia No. 11 (1)

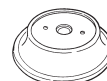
### • Fornito con la macchina



Piedino standard (A)



Bobina (1)

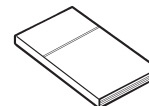


Tappo del rocchetto (grande)

### • Posizionato nel polistirolo



Comando a pedale (Codice 4C-339G)



Manuale d'istruzioni (il presente manuale)



Cavo alimentazione



DVD con istruzioni



## Funzioni dei tasti funzione

**Controllo velocità**  
Durante la cucitura è possibile regolare la velocità.

**G220**

**Tasto per il taglio del filo**  
Dopo le operazioni di cucitura, premere questo tasto per tagliare entrambi i fili automaticamente.

**Note per il taglio del filo:**

1. Non usare fili superiori a No. 30.
2. Dopo il taglio, il punto può essere fatto senza tirare il filo della bobina.
3. Quando si riprende a cucire dopo il taglio del filo, se si tira ancora il filo della bobina e si colloca sotto il piedino insieme al filo dell'ago, è possibile evitare un accumulo di filo (birdnest) sul rovescio del tessuto.
4. Pulire la macchina con regolarità (vedi pagina 49), dal momento che un accumulo di polvere nell'area dell'unità di taglio del filo può provocare malfunzionamenti.

**G120**

**Tasto di partenza/stop**  
Premendo questo tasto, la macchina comincia a cucire lentamente e quindi aumenta di velocità fino ad arrivare alla velocità impostata dal controllo velocità. Premendo ancora questo tasto, la macchina si arresta con l'ago in posizione abbassata. Il colore del tasto indica lo stato della macchina.  
**Verde:** Pronta ad avviarsi e/o durante le operazioni di cucitura.  
**Rosso:** Non pronta ad avviarsi (se il tasto viene premuto quando è rosso l'ago va avanti di un punto).  
**Arancione:** La macchina è in modalità avvolgimento bobina.

**Tasto inversione punto**  
Premendo questo tasto, la macchina cuce all'indietro (punto annodato).

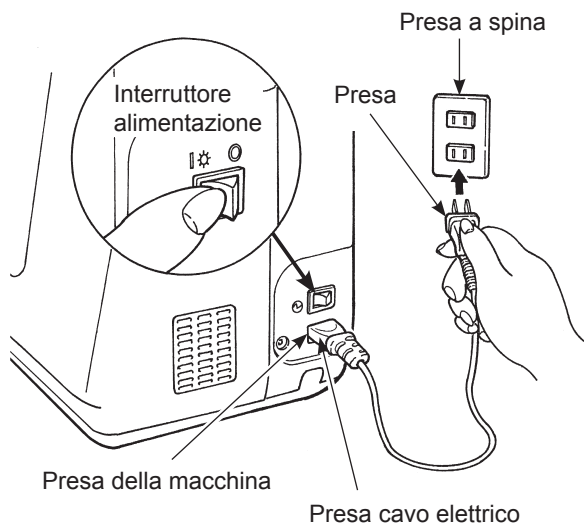
**Tasto di sollevamento/abbassamento dell'ago**  
Quando la macchina si arresta, premere questo tasto per cambiare la posizione dell'ago. (Quando l'ago è sollevato, esso si abbassa e viceversa nel caso opposto).  
**⚠ Anche quando il piedino è sollevato accertarsi che l'ago si sollevi o si abbassi.**

## Collegamento all'alimentazione



### Attenzione

• Disconnettere la spina e spegnere l'interruttore (selezionare "O") quando la macchina non è in uso. In caso contrario, si potrebbero produrre scosse elettriche e/o incendi.

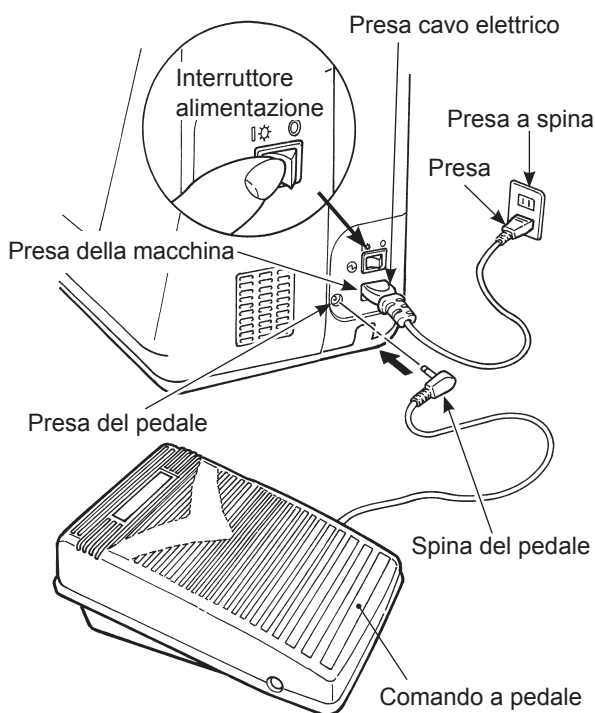


### ★ Uso del tasto start.stop invece del reostato:

1. Spegner l'interruttore (selezionare "O").
2. Inserire il cavo di connessione nella presa della macchina.
3. Inserire la spina nella presa.
4. Accendere l'interruttore (selezionare "I").

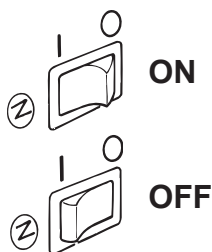
### Attenzione (SOLO PER GLI STATI UNITI E IL CANADA)

Questa macchina è dotata di una spina polarizzata (con una lama più ampia dell'altra). Al fine di ridurre il rischio di scossa elettrica, la spina è destinata ad essere inserita in una presa polarizzata solamente in un modo. Nel caso in cui la spina non si inserisca completamente nella presa, invertire la spina. Nel caso in cui non riesca ad entrare anche in questo modo, contattare un elettricista qualificato per installare una presa adeguata. Non modificare la spina in alcun modo.



### ★ Uso del controllo a pedale:

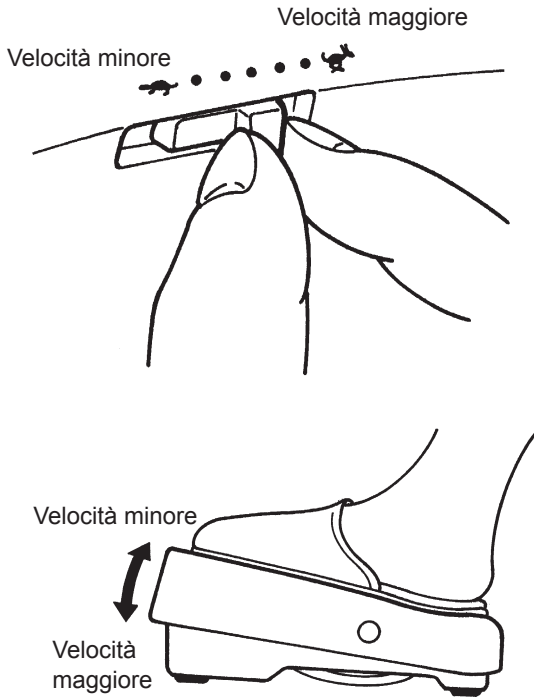
1. Spegner l'interruttore
  2. Inserire la spina del pedale nella presa del pedale
  3. Inserire il cavo di connessione nella presa della macchina
  4. Inserire la spina nella presa
  5. Accendere l'interruttore
- \* Quando il pedale è inserito non si può usare il tasto start/stop per iniziare a cucire.  
Tasto start: non funziona per iniziare a cucire  
Tasto stop: può essere usato per lo stop di cucitura



### ★ Uso dell'interruttore di accensione:

Per SPEGNERE la macchina posizionare l'interruttore su "O".  
Per ACCENDERE la macchina posizionare l'interruttore su "I".

## Controllo velocità



### ★ Interruttore controllo velocità

La massima velocità di cucitura può essere impostata liberamente mediante l'interruttore controllo velocità.

### ★ Comando a pedale

Per attivare la macchina, premere il comando a pedale.

Maggiore è la pressione esercitata sul comando a pedale, maggiore è la velocità di cucitura.

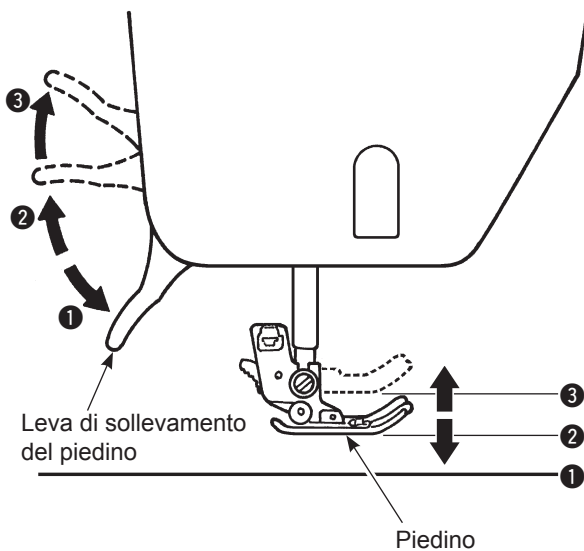
Il controllo velocità imposterà la massima velocità di cucitura.

**Maggiore pressione → maggiore velocità**

**Minore pressione → minore velocità**

\* Tenere sempre pulito il comando a pedale. Non appoggiare alcun oggetto sul comando a pedale dal momento che questo potrebbe causare lesioni a carico dell'utilizzatore e produrre malfunzionamenti.

## Leva di sollevamento del piedino



Il piedino può essere collocato in posizione sollevata o abbassata mediante la leva di sollevamento del piedino.

- ❶ Posizione abbassata ..... Il piedino deve essere abbassato durante la cucitura.
- ❷ Posizione di sollevamento ordinaria ..... Questa posizione è usata per la rimozione del tessuto e/o la sostituzione del piedino.
- ❸ Posizione di sollevamento extra ..... Questa posizione è usata per collocare materiali pesanti sotto il piedino.

\* Assicurarsi che il piedino e l'ago non interferiscano reciprocamente quando l'ago è nella sua posizione abbassata ed il piedino si trova nella sua posizione di sollevamento extra.

# Nome e funzioni degli altri tasti funzione

## ■ Tasti funzione e schermo

**G220**

**Modalità di selezione dei punti**

	Punti pratici
	Punti singoli
	Lettere

**Posizione di arresto dell'ago**

	L'ago si arresta alla sua posizione più elevata
	L'ago si arresta alla sua posizione più bassa

**Piedino da usare (simbolo)**

**Numero punto**

**Ampiezza zigzag**

**Lunghezza del punto**

**1 Tasto di selezione punti**

**2 Tasto modifica ampiezza zigzag**

**3 Tasto modifica lunghezza punti**

**4 Tasto taglio filo e punto annodato automatico**

**5 Tasto ago su/giù / Tasto di commutazione posizione di arresto dell'ago**

**6 Tasto di commutazione modalità di selezione punti**

**7 Tasto memoria**

**8 Tasto di cancellazione**

**9 Tasto modifica motivo**

**G120**

**Modalità di selezione dei punti**

	Punti pratici
	Punti singoli
	Lettere

**Posizione di arresto dell'ago**

	L'ago si arresta alla sua posizione più elevata
	L'ago si arresta alla sua posizione più bassa

**Piedino da usare (simbolo)**

**Numero punto**

**Ampiezza zigzag**

**Lunghezza del punto**

**1 Tasto di selezione punti**

**2 Tasto modifica ampiezza zigzag**

**3 Tasto modifica lunghezza punti**

**4 Chiusura automatica cucitura**

**5 Tasto di commutazione posizione di arresto dell'ago**









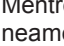
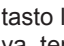
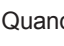
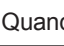



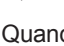





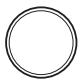
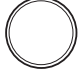

**6 Tasto di commutazione modalità di selezione punti**

**7 Tasto memoria**

**8 Tasto di cancellazione**

**9 Tasto modifica motivo**

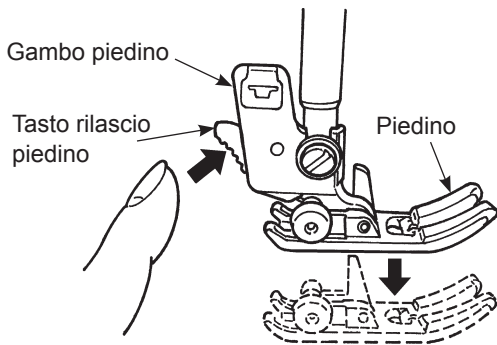
## ■ Nome e funzioni dei tasti funzione

1		<b>Tasto di selezione punti</b>	Questo è usato per scegliere il motivo. Lato sinistro per le decine lato destro per le unità.
2		<b>Tasto modifica ampiezza zigzag</b>	Viene usato per modificare l'ampiezza dello zigzag e la posizione dell'ago.
3		<b>Tasto modifica lunghezza punti</b>	Usato per modificare la lunghezza del punto.
4	<b>G220</b> 	<b>Tasto taglio filo e punto annodato automatico</b>	Premendo questo tasto compare sullo schermo il simbolo “  ”. La macchina procederà automaticamente ad annodare i punti all'avvio ed al termine delle operazioni di cucitura e quindi taglierà entrambi i fili.
	<b>G120</b> 	<b>Chiusura automatica cucitura</b>	Premendo questo tasto compare sullo schermo il simbolo “  ”. La macchina fisserà automaticamente i punti all'inizio e alla fine della cucitura.
5	<b>G220</b> 	<b>Tasto ago su/giù / Tasto di commutazione posizione di arresto dell'ago</b>	Mentre la macchina finisce di cucire premere questo tasto per cambiare istantaneamente la posizione su/giù dell'ago. Quando l'ago è sollevato e viene premuto il tasto l'ago si abbassa, quando l'ago è abbassato e si preme il tasto l'ago si solleva. tenendo il tasto premuto si può programmare e si può scegliere la posizione dell'ago alla fine cucitura sollevato o abbassato. Premendo questo tasto compare sullo schermo il simbolo “  ” o il simbolo “  ”. Quando si cuce con il simbolo “  ”, l'ago si arresta alla sua posizione più elevata. Quando si cuce con il simbolo “  ”, l'ago si arresta alla sua posizione più bassa.
	<b>G120</b> 	<b>Tasto di commutazione posizione di arresto dell'ago</b>	Premendo questo tasto compare sullo schermo il simbolo “  ” o il simbolo “  ”. Quando si cuce con il simbolo “  ”, l'ago si arresta alla sua posizione più elevata. Quando si cuce con il simbolo “  ”, l'ago si arresta alla sua posizione più bassa.
6		<b>Tasto di commutazione modalità di selezione punti</b>	Questo è usato per cambiare la modalità di selezione dei motivi. Punti pratici  , Punti singoli  , Lettere 
7	<b>MEM</b> 	<b>Tasto memoria</b>	Questo è usato per memorizzare le lettere selezionate o motivi di un punto.
8	<b>CLR</b> 	<b>Tasto di cancellazione</b>	Questo è usato per cancellare i motivi di cucitura selezionati. Quando il tasto è premuto una sola volta, il motivo selezionato verrà cancellato e quando è premuto continuamente saranno cancellati tutti i modelli salvati.
9		<b>Tasto modifica motivo</b>	Questo è usato per modificare la forma dei motivi. (Riferimenti a pag. 41).

# Sostituzione del piedino

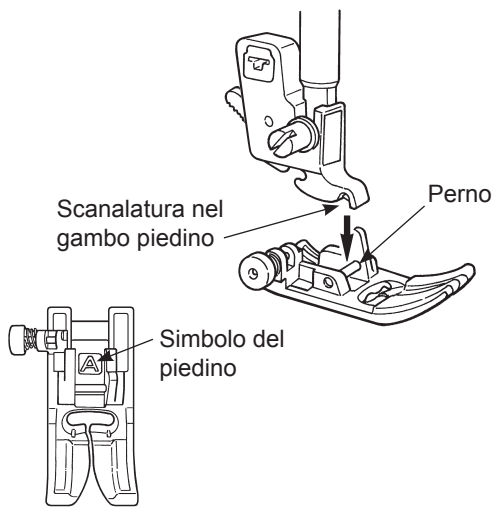
## ■ Rimozione e montaggio del piedino

**⚠ Attenzione** Spegnere la macchina prima di procedere alla sostituzione del piedino.



### ★ Rimozione del piedino

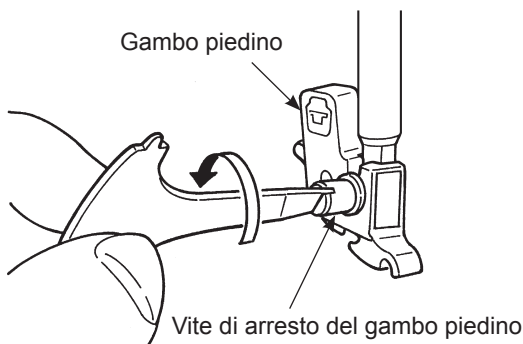
1. Sollevare l'ago ed il piedino.
2. Premere il tasto rilascio piedino per rimuovere il piedino.



### ★ Montaggio del piedino

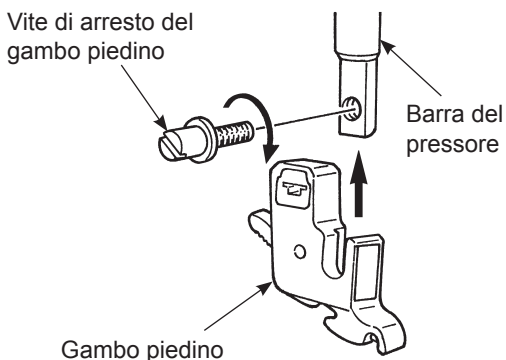
- Allineare il perno del piedino e la scanalatura nel gambo piedino. Abbassare quindi il gambo piedino mediante la leva di sollevamento del piedino.
- \* Ciascun piedino è caratterizzato da un simbolo. Usare il piedino appropriato per ciascun punto da eseguire.

## ■ Rimozione e montaggio del gambo piedino



### ★ Rimozione del gambo piedino

1. Sollevare l'ago e la leva di sollevamento del piedino.
2. Allentare la vite di arresto del gambo piedino girando verso sinistra e rimuoverlo.



### ★ Montaggio del gambo piedino

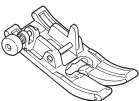
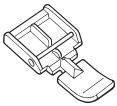
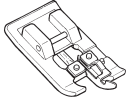
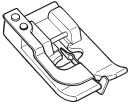
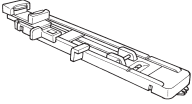

- Allineare il foro della vite sulla barra del pressore con il foro del gambo piedino (scanalatura lunga). Stringere saldamente la vite di arresto girando verso destra.



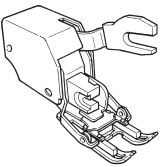
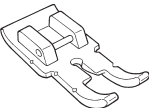
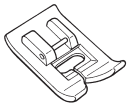
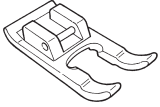
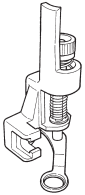
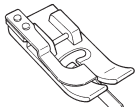
## ■ Tipologie ed applicazioni del piedino

Marchio piedino



	<b>Piedino standard</b>	<b>A</b>	Usato principalmente per cucire con cucitura dritta e cuciture a zig-zag. Usare questo piedino soprattutto per cucire su materiali pesanti.
	<b>Piedino per chiusure lampo</b>	<b>B</b>	Usato per attaccare chiusure lampo.
	<b>Piedino sopraggitto</b>	<b>C</b>	Usato esclusivamente per il sopraggitto al fine di evitare che il margine dei tessuti si sfilacci.
	<b>Piedino punto invisibile</b>	<b>D</b>	Usato per realizzare punti invisibili sull'orlo di pantaloni e gonne o sulle maniche.
	<b>Piedino per asole</b>	<b>E</b>	Usato per l'occhiellatura automatica.
	<b>Piedino per asole manuali</b>	<b>I</b>	Usato per cucire punti decorativi, lettere e travette.

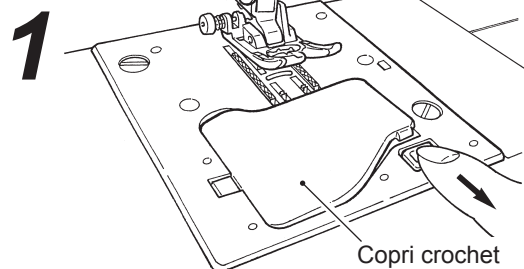
## ★ Piedino optional

	<b>Piedino trasportatore</b>	<b>N</b>	In generale, questo piedino viene usato per materiali difficili da trasportare quali indumenti a maglia, jersey, vinile, pelle artificiale, pelle o trapunto.
	<b>Piedino patchwork</b>	<b>P</b>	Usato per punti patchwork. Ci sono due linee di cucitura, a 1/4 di pollice e 1/8 di pollice dalla posizione centrale dell'ago.
	<b>Piedino per applicazioni scorrevoli</b>	<b>T</b>	Usato per materiali non scivolosi quali il vinile e per realizzare punti pieni.
	<b>Piedino per applicazioni con punta aperta</b>	<b>O</b>	Usato per eseguire applicazioni e punti decorativi. (La parte frontale del piedino è aperta per una maggiore visibilità.)
	<b>Piedino per trapunto</b>	<b>Q</b>	Usato per realizzare il punto trapuntato. (Impostazione della macchina: Cucitura dritta e posizione centrale dell'ago)
	<b>Piedino per la cucitura dell'orlo</b>	<b>R</b>	Usato per realizzare patchwork cucendo la linea centrale dei materiali uniti mediante la guida centrale del piedino. * Regolare la posizione dell'ago mediante il regolatore dell'ampiezza dello zig-zag.

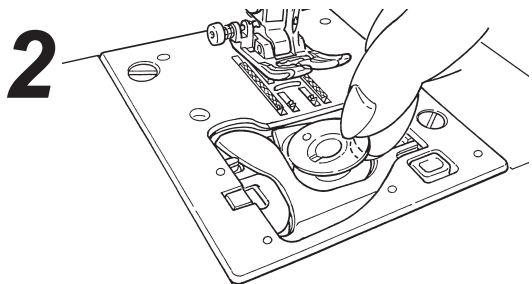
# Preparazione del filo della bobina

**⚠ Attenzione** Quando la bobina viene tolta e/o inserita all'interno dell'apposita capsula spegnere l'alimentazione (portare su "0").

## ■ Togliere la bobina



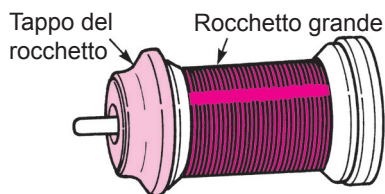
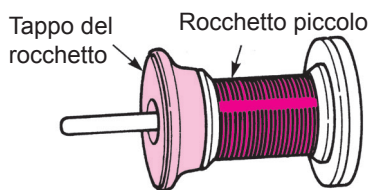
### ● Aprire il crochet.



### ● Togliere la bobina.

- \* Non usare la bobina nei casi in cui questa abbia troppo poco filo. In caso contrario, il filo potrebbe aggrovigliarsi.
- \* Usare soltanto la bobina designata. Altre bobine potrebbero causare un malfunzionamento.

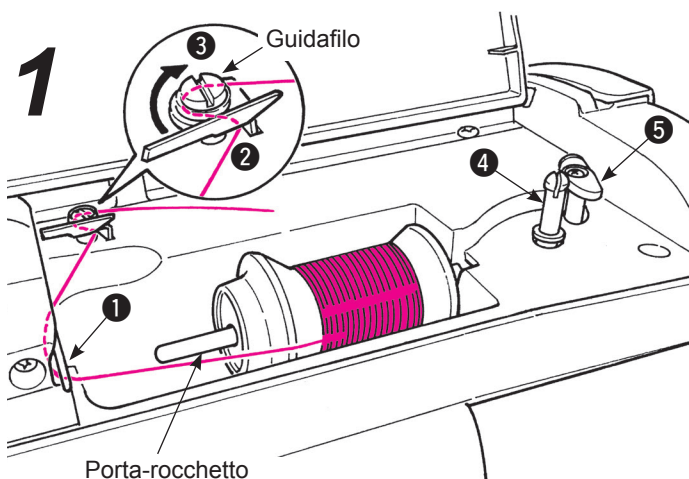
## ■ Collocare il rocchetto



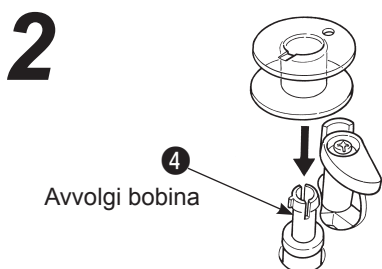
### ● Inserire un rocchetto sull'apposito perno ed un tappo del rocchetto sul perno stesso.

- \* Non usare il rocchetto con poco filo. In caso contrario, il filo potrebbe aggrovigliarsi e/o fuoriuscire dalla cruna dell'ago all'avvio delle operazioni di cucitura.

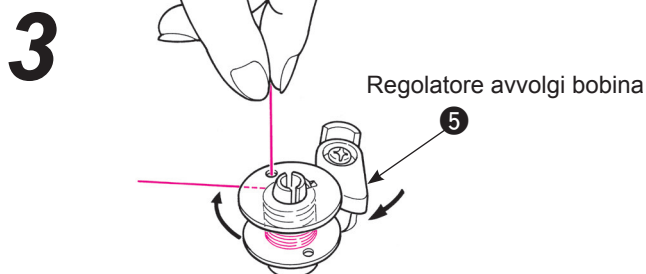
## ■ Avvolgimento del filo della bobina



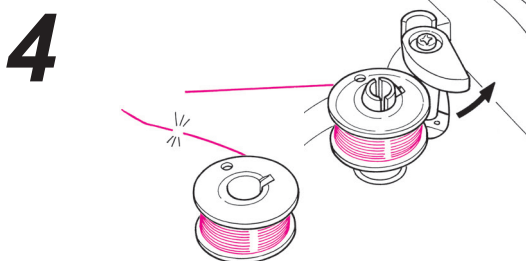
### ● Infilare la guida 1 quindi infilare le guide del filo 2 e 3 (guide del cerchio) per l'avvolgimento bobina.



### ● Posizionare la bobina sull'avvolgi bobina 4.



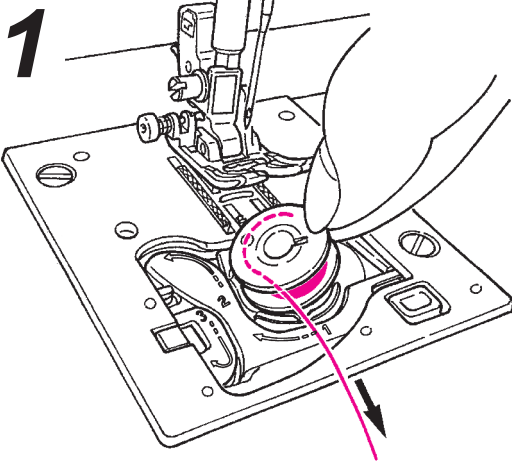
### ● Premere il regolatore dell'avvolgimento della bobina 5 verso la bobina. Il tasto start/stop diventerà arancione, quando il tasto start stop viene premuto la macchina inizierà ad avvolgere il filo alla bobina.



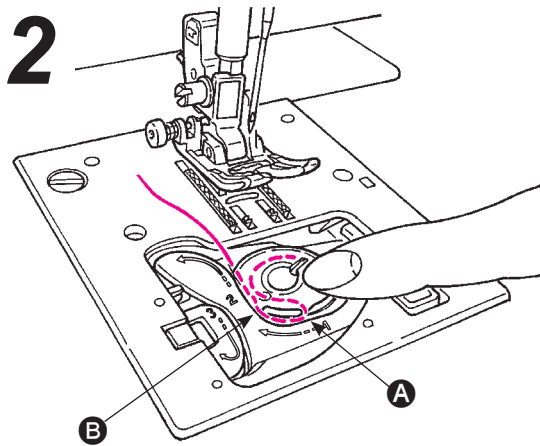
### ● Quando l'avvolgimento è terminato l'albero si ferma automaticamente, il regolatore di avvolgimento si sposta a destra e torna alla posizione originale. Rimuovere la bobina dall'albero di avvolgimento bobina e tagliare il filo.

- \* L'avvolgimento della bobina si fermerà automaticamente quando la velocità di avvolgimento si riduce a causa di un sovraccarico del motore di avvolgimento causato da un aggrovigliamento del filo.

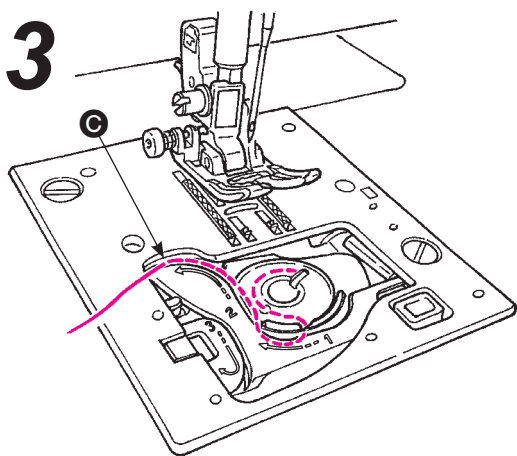
## ■ Posizionamento della bobina



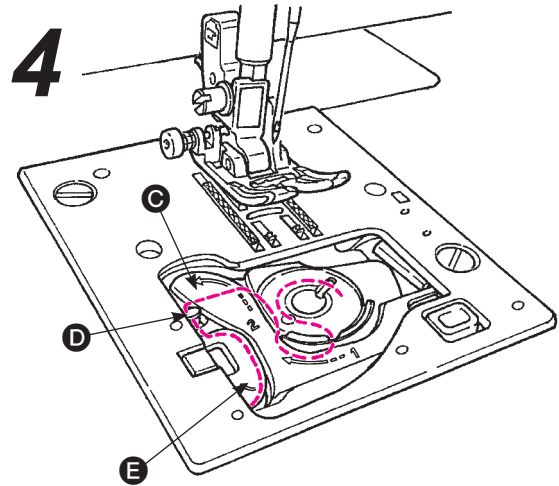
- Posizionare la bobina nell'apposita sede.
- \* Inserire la bobina in modo che il filo si avvolga in senso antiorario.



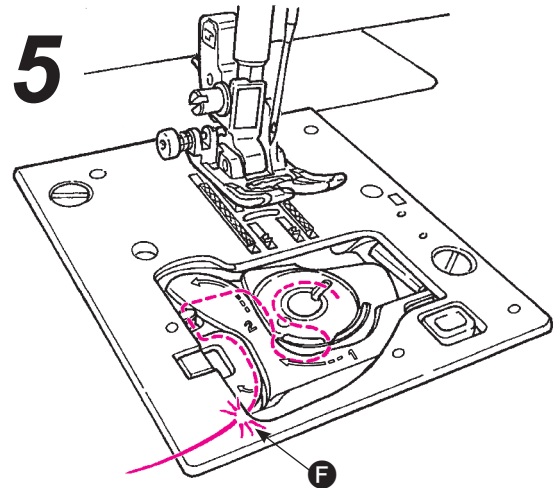
- Far passare il filo nelle scanalature A e B tirandone l'estremità.
- \* Sarà più facile infilare le scanalature se si preme la bobina leggermente con il dito.



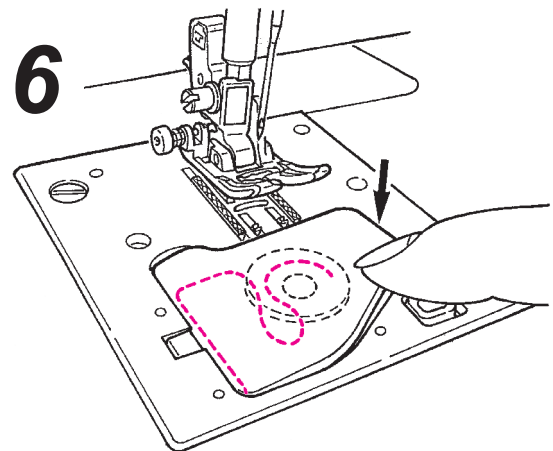
- Infilare la guida C tirando il filo a sinistra.



- Infilare la guida D e E lasciando il filo sotto le guide. (Infilare prima la guida E e poi la guida D nello stesso modo.)
- \* Quando si tira il filo della bobina, la bobina ruota in senso antiorario. Se la bobina ruota in senso orario, capovolgere la bobina.



- Tagliare il filo con la taglierina incorporata F.



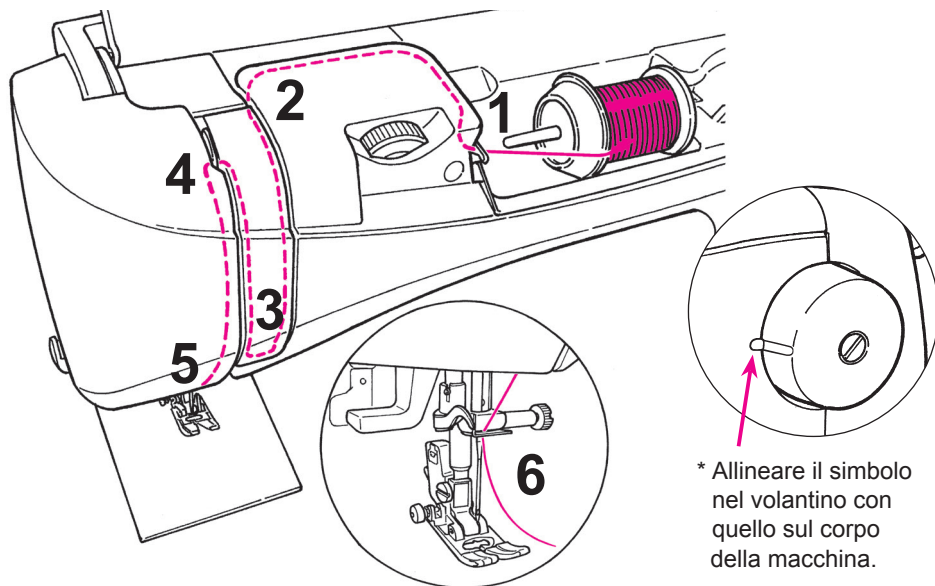
- Chiudere il copri crochet.

È possibile iniziare a cucire in questa condizione (senza estrarre il filo della bobina), tuttavia, se si desidera cucire con il filo della bobina estratto, fare riferimento a "Estrazione del filo della bobina" nella pagina 17.

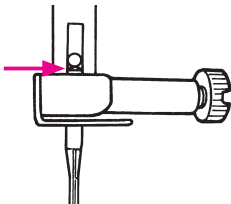
# Preparazione del filo dell'ago

**⚠ Attenzione** Spegnere l'interruttore di cucitura prima di avvolgere il filo della bobina.

## ■ Infilatura del filo dell'ago



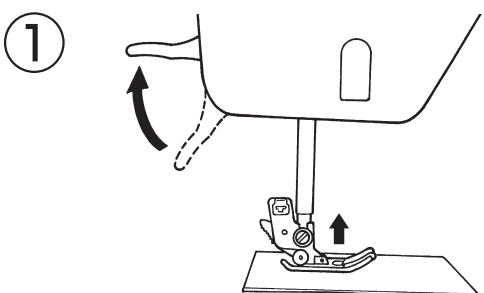
**Nota :**  
Assicurarsi di spingere l'ago verso l'alto.



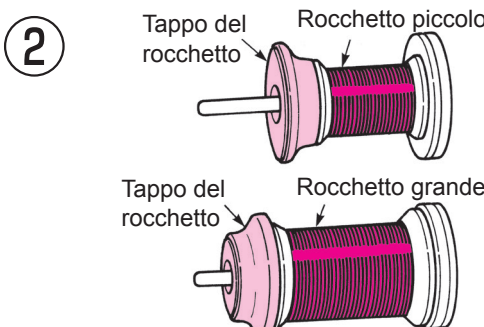
È impossibile cucire se l'ago non è correttamente inserito o viene usato un ago piegato. Prestare particolare attenzione a questo fatto perché potrebbe produrre un malfunzionamento della macchina.

\* Usare gli aghi: No.11-16 ed il filo: No.30-90.  
\* Quando viene usato l'ago gemello, l'infila-ago automatico non può essere usato.

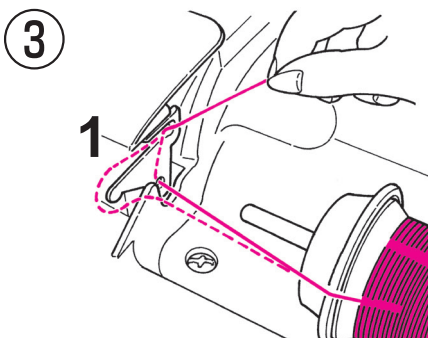
\* Allineare il simbolo nel volantino con quello sul corpo della macchina.



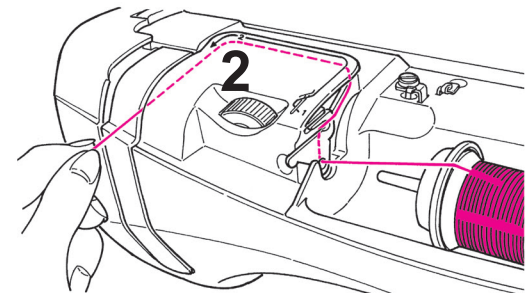
● Alzare la leva di sollevamento del piedino.



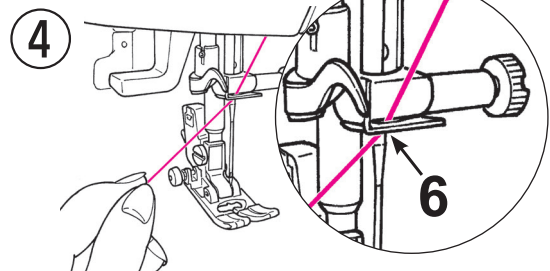
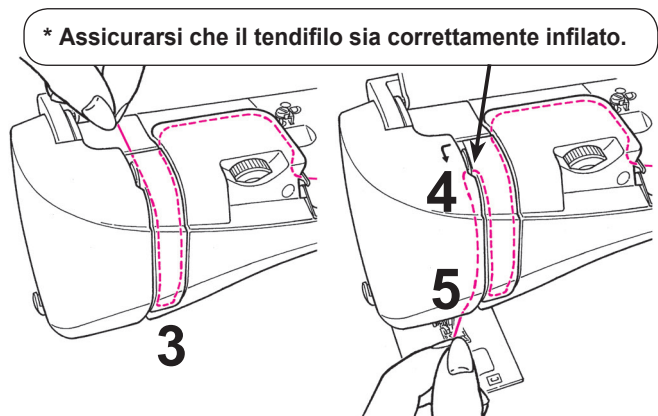
● Collocare un rocchetto sull'apposito perno ed un tappo sul perno.



● Inserire il filo nella guida 1.



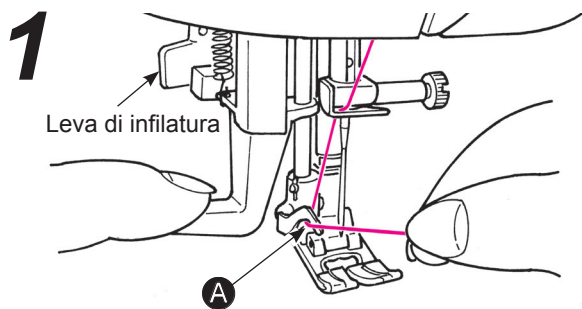
● Tenere il capo del filo e infilare seguendo le frecce.  
\* Assicurarsi che il piedino sia sollevato. In caso contrario, la macchina non è infilata correttamente.



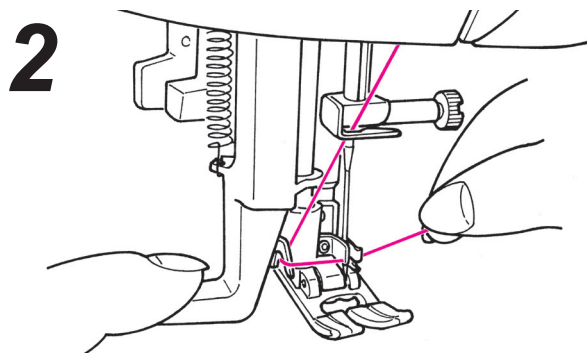
● Inserire il filo nella guida 6 dal lato destro.



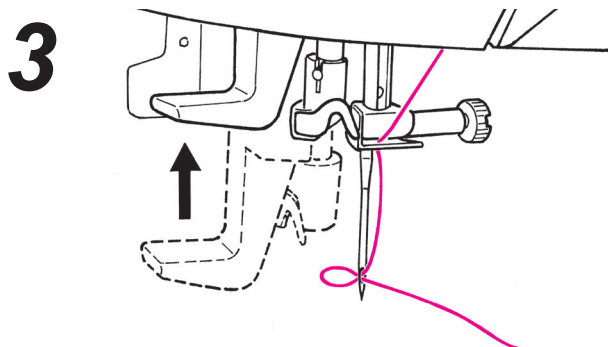
## ■ Infila ago automatico



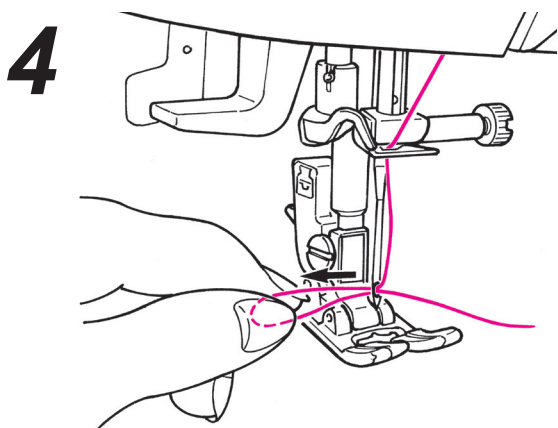
- Abbassare il piedino.
- Alzare l'ago, quindi abbassare l'infilatura a metà (finché diventa pesante) e infilare il filo in A.



- Abbassare interamente l'infilatura, quindi infilare completamente il filo nelle guide (l'infilatura prenderà il filo attraverso la cruna dell'ago.)



- Al rilascio della leva di infilatura il filo viene inserito nell'ago.

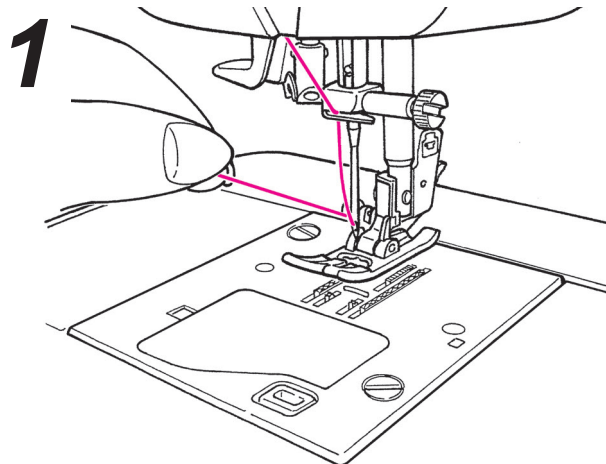


- Tirare il filo indietro.  
Tirare il filo attraverso la cruna dell'ago per circa 10 cm o 4 pollici.

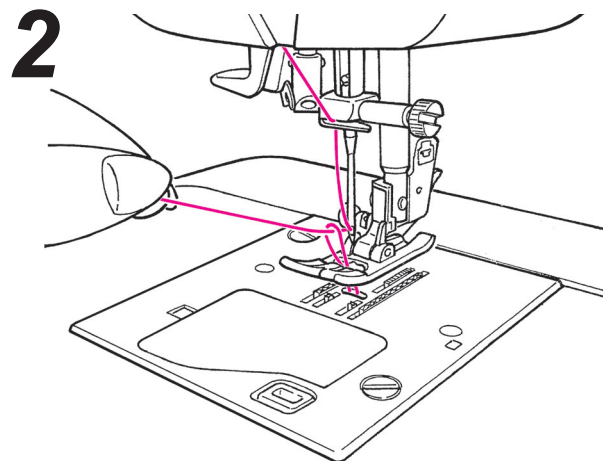
## ■ Estrarre il filo della bobina

### Funzionamento di base:

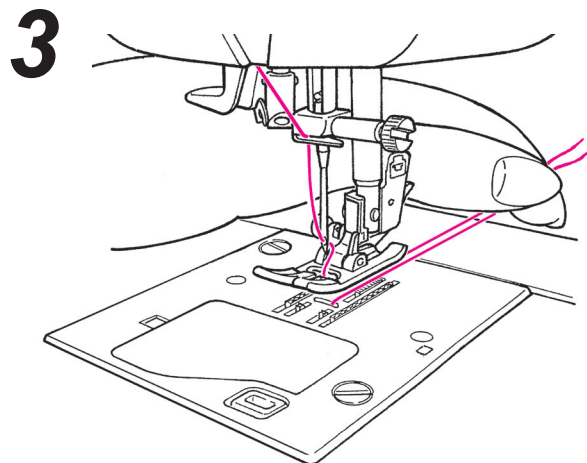
È possibile iniziare a cucire senza estrarre il filo della bobina, tuttavia, se si desidera cucire con il filo della bobina estratto, seguire le istruzioni qui sotto.



- Sollevare il piedino e tendere leggermente il filo ago.



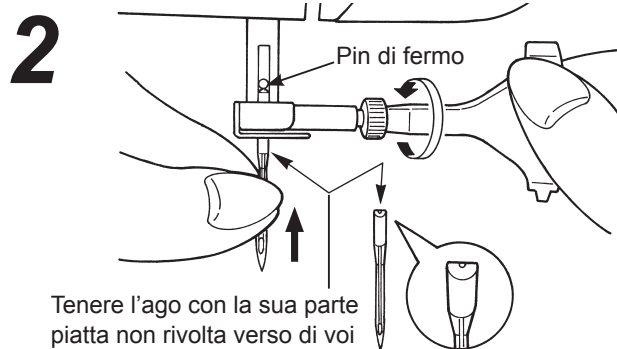
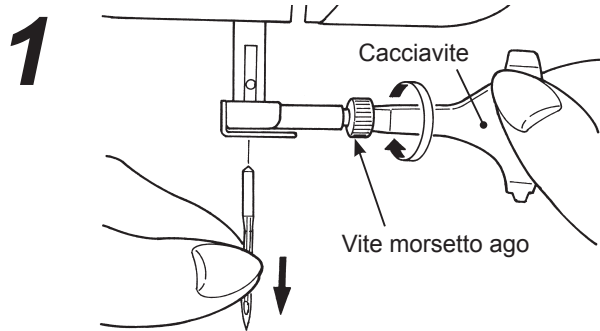
- Girare il volantino verso di voi per far muovere l'ago in su e in giù. Tirando leggermente il filo ago, verrà estratto un cappio del filo della bobina.



- Tirare sia il filo ago che il filo della bobina per circa 10 cm (4 pollici) e passarli entrambi sotto il piedino verso il retro della macchina.

# Inserimento ago

**⚠ Attenzione** Scollegare la macchina prima di sostituire l'ago.



## ● Rimozione dell'ago

1. Ruotare il volantino in avanti fino a che l'ago raggiunge la posizione più alta e abbassare il piedino.
2. Girare verso di voi la vite del morsetto dell'ago 1-2 volte e rimuovere l'ago.

## ● Inserimento dell'ago

**(L'ago non può essere inserito se non è in posizione esatta)**

Tenere l'ago con la sua parte piatta non rivolta verso di voi ed inserirlo completamente fino a toccare il pin di fermo. Stringere saldamente la vite del morsetto dell'ago.

## ■ Aghi da acquistare

Al momento dell'acquisto di aghi di ricambio, specificare HA X 1 (130/705H) o HA X 1 SP (aghi per maglieria).



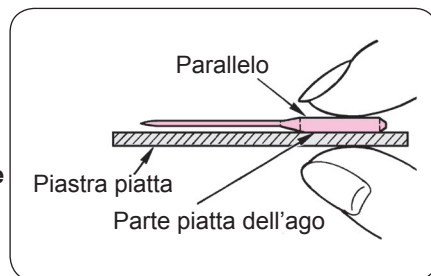
### Dimensioni dell'ago:

Più alto è il numero sull'ago, più questo sarà grosso.

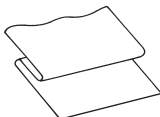



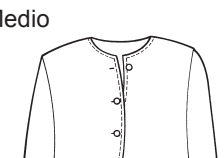

## ■ Controllo dell'ago

Controllare periodicamente se l'ago è dritto. Un ago piegato può causare il salto del punto, la rottura del filo o danneggiare il materiale.

**Attenzione: La macchina non cuce se l'ago non è stato inserito correttamente e/o viene usato un ago piegato. L'errato inserimento dell'ago e/o l'uso di aghi piegati danneggiano la macchina.**



# Tabella per tessuto, filato e aghi

	Tessuto 	Filo 	Aghi  HAx1
<b>Leggero</b> 	Batista	Seta ..... No.80,90	No.11
	Georgette	Sintetico ..... No.80,90	
	Tricot	Sintetico ..... No.60-90	Ago da maglieria No.11
	Tessuto di lana e fibre sintetiche	Seta ..... No.80 Sintetico ..... No.60-90	No.11-14
<b>Medio</b> 	Cotone e tessuti sintetici	Sintetico ..... No.50, 60	No.11-14
	Jersey leggero	Seta ..... No.50 Sintetico ..... No.50, 60	Ago da maglieria No.11
	Tessuto di lana ordinaria e fibre sintetiche	Seta ..... No.50 Sintetico ..... No.50, 60	No.11-14
<b>Pesante</b> 	Denim	Sintetico ..... No.30-50	No.14-16
	Jersey	Seta ..... No.50 Sintetico ..... No.50, 60	Ago da maglieria No.11-14
	Stoffa per soprabiti o giacche	Seta ..... No.50	No.11-14

\* In generale, viene usato lo stesso filo per l'ago e la bobina.

\* Per tessuti leggeri usare filo ed ago sottili mentre per materiali pesanti usare filo ed ago grossi.

\* Accertarsi che la combinazione tra l'ago e il filo sia corretta provando a cucire sul materiale sul quale si deve lavorare.

\* Gli aghi da maglieria sono una scelta accettabile per tessuti elastici (quali la maglieria) ed i tessuti sintetici.

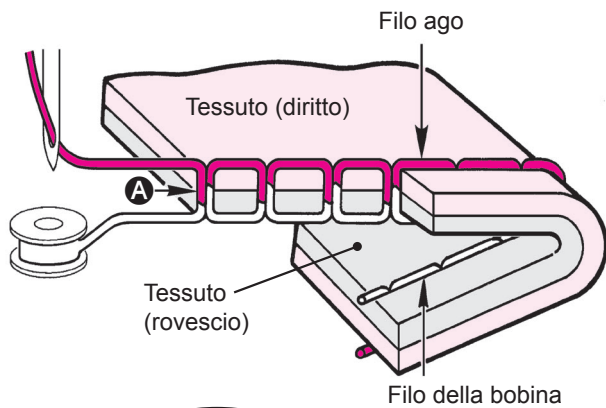
\* Usare filo No. 30 - 90.

\* In caso di difficoltà nel cucire su una sezione sovrapposta, guidare il tessuto con la mano.

\* Nel cucire punti decorativi o lettere (Pagina 21), usare l'ago da maglieria per una migliore rifinitura.



## Come regolare la tensione del filo



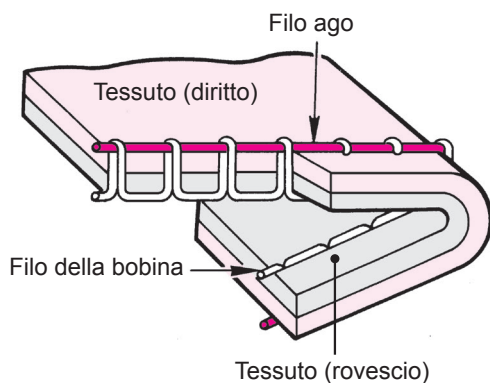
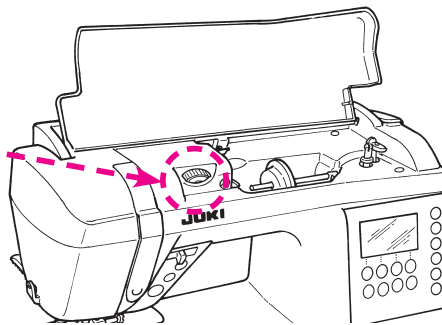
### ■ Tensione del filo ben equilibrata

Cucitura dritta: Il filo dell'ago e della bobina si incrociano nel mezzo dello spessore del tessuto. (A)

Zig-zag: Il filo dell'ago viene tirato un po' verso il rovescio del tessuto.

Se la macchina è in modalità "4", vale per la maggior parte dei tessuti. In caso contrario, può essere necessario procedere ad una regolazione in base ai tessuti e alle applicazioni di cucitura.

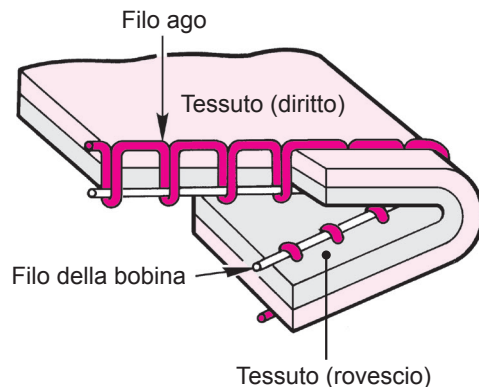
Una non corretta regolazione della tensione è causa di formazione di punti sbilanciati, pieghe e/o rottura del filo.



### ■ Quando il filo dell'ago è troppo teso:

Il filo della bobina sarà tirato verso la parte frontale del tessuto.

Girare la manopola della tensione filo per scegliere numeri minori.

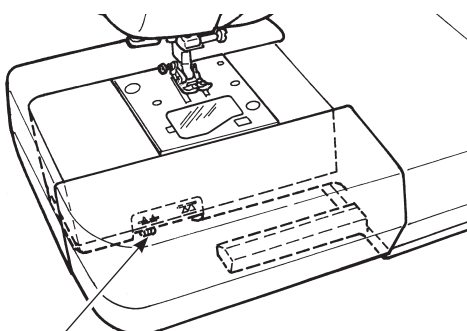


### ■ Quando il filo dell'ago è poco teso:

Il filo dell'ago verrà tirato verso il rovescio del tessuto.

Girare la manopola della tensione filo per scegliere numeri maggiori. Nel caso in cui non si ottenga una corretta regolazione della tensione, controllare il percorso del filo dell'ago e della bobina.

## Come abbassare la griffa di trasporto

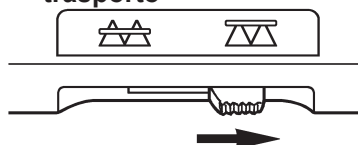


Manopola di trasporto a caduta

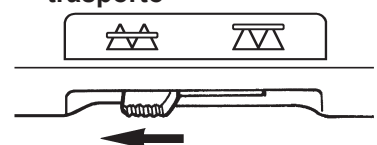
- Portare la manopola di trasporto a caduta verso il lato destro nel caso in cui la griffa di trasporto sia in posizione abbassata per trapunto senza trasporto automatico, cucitura di bottoni, etc.

\* Dopo la cucitura portare la manopola di trasporto a caduta verso il lato sinistro. La griffa di trasporto sarà attivata automaticamente all'avvio della cucitura.

### ★ Abbassando la griffa di trasporto



### ★ Sollevando la griffa di trasporto





# Come selezionare un punto

- ☆ Sono disponibili 180 tipi di punti.
- ☆ All'accensione della macchina, viene selezionata automaticamente il punto diritto della posizione ago centrale.
- ☆ Ci sono 3 metodi per selezionare motivi di cucitura.

Sullo schermo LCD vedrete il Nr di motivo cucitura selezionato e il disegno del piedino da usare.



## 1 Punti pratici

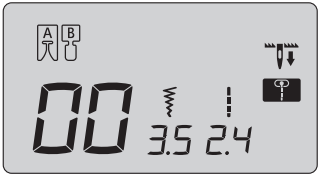
Scegliere  con il tasto modalità selezione motivi, quindi scegliere il Nr di motivo cucitura desiderato  con il tasto selezione motivi.

Punto No.	00	01	02	03	04	05	06	07	08	09
Punto										
Applicazione	Posizione ago centrale	Posizione ago a sinistra	Punto diritto per elastico	Punto zig-zag	Zig-zag tre punti	Applicazione	Sopraggito	Punto invisibile	Punto di rinforzo diritto	Asola
	Punto diritto									
Vedi pagina	22	26	26	27	27	40	27	28	26	30

Punto No.	10	11	12	13	14	15	16	17	18	19	20	21	22
Punto													
Applicazione	Posizione ago centrale	Posizione ago a sinistra	Posizione ago a destra	Zig-zag due punti	Sopraggito	Sopraggito Usato per materiali leggeri	Sopraggito Usato per materiali flessibili	Punto ornamentale	Punto invisibile Usato per materiali leggeri	Orlo conchiglia	Barretta frontale	Occhiello	Ramendo
	Punto annodato (stay stitch)	Punto zig-zag											
Vedi pagina	26	26		-	27	27	-	-	28	-	34	-	-

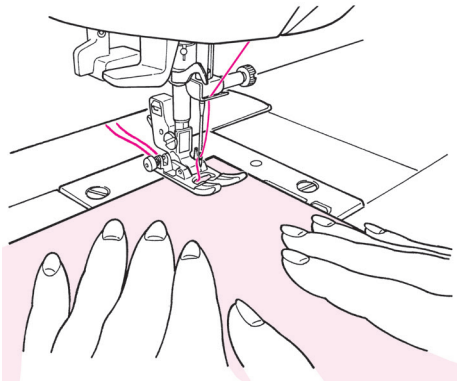


## Punti diritti

	Punto No.	Pratico 00
	Piedino	Piedino standard (A)
	Tensione del filo	Auto

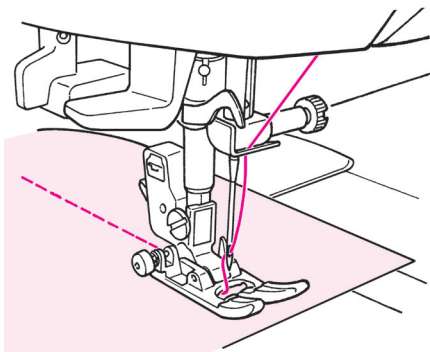
### ⚠ Attenzione

Spegnere la macchina prima di procedere alla sostituzione del piedino.



### ■ Avvio cucitura

Tirare il filo dell'ago e della bobina sotto il piedino sul retro della macchina ed abbassare il piedino per iniziare la cucitura.



### ■ Termine cucitura

Interrompere la cucitura e premere l'apposito tasto per tagliare i fili.

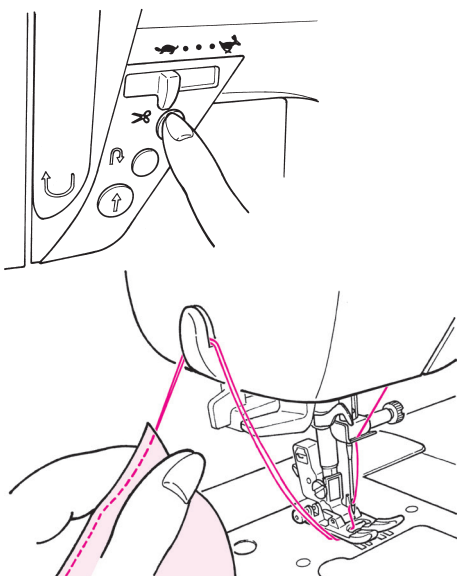
#### G220

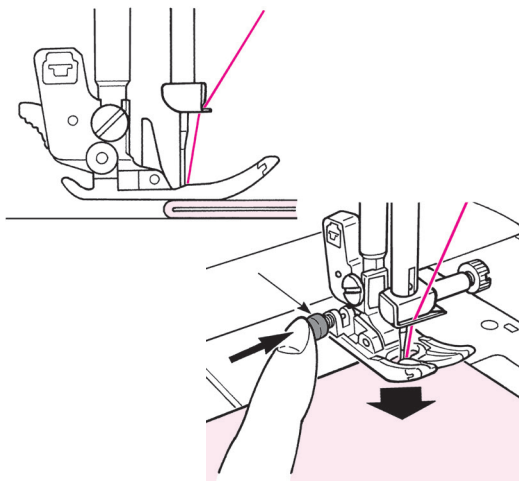
<mediante il tasto per il taglio del filo>  
Premere l'apposito tasto per tagliare i fili.

#### G220

#### G120

<tramite il rasafilo sul coperchio>  
È possibile anche tagliare i fili usando il tagliafilo sul coperchio della piastra frontale.

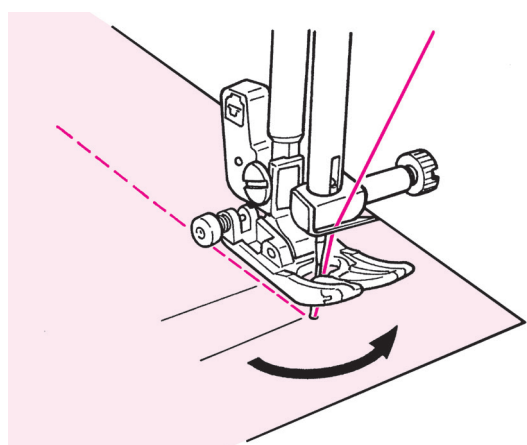




## ■ Cucitura di bordi di tessuti spessi

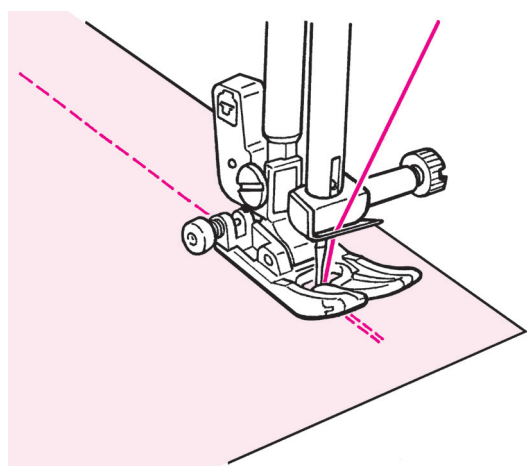
Girare il volantino e lasciare che l'ago si collochi in posizione di inizio cucitura.

Premere il tasto nero con un dito ed abbassare il piedino. Allontanare il dito dal tasto nero e cominciare a cucire. Una volta che il piedino è completamente sul tessuto, il tasto nero verrà automaticamente disattivato.



## ■ Cambiamento della direzione di cucitura

Interrompere la cucitura davanti alla posizione predeterminata e quindi continuare a cucire, un punto per volta, usando il tasto di sollevamento/abbassamento dell'ago fino ad arrivare al punto di arrivo. Lasciare l'ago all'interno del tessuto e sollevare il piedino. Con l'ago all'interno del tessuto, cambiare la direzione di cucitura, abbassare il piedino e riprendere a cucire.



## ■ Punto annodato al termine della cucitura

<Quando viene usato il tasto partenza/stop>

Al termine della cucitura, premere il tasto inversione punto.

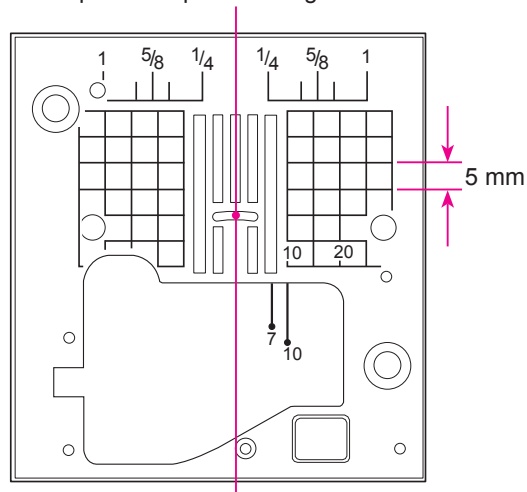
Per il tempo che il tasto inversione rimane premuto, la macchina realizzerà i punti di inversione e si interromperà una volta rilasciato.

\* La macchina realizza i punti di inversione a bassa velocità.

<Quando viene usato il comando a pedale>

La macchina realizzerà i punti di inversione quasi alla stessa velocità della cucitura normale. Una volta rilasciato il tasto inversione punto, la macchina riprende la cucitura diritta.

Rispetto alla posizione ago centrale



## ★ Linee di riferimento sulla placca ago

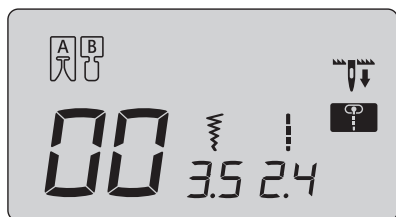
Allineare il bordo del tessuto con le linee guida e cucire.

\* I numeri sulle linee guida mostrano la distanza in mm e in pollici tra la posizione ago centrale e le linee guida.

I numeri 7, 10 e 20 sono millimetri.

I numeri 1/4, 5/8 ed 1 sono pollici.

## ★ Come cambiare le posizioni dell'ago / Come cambiare la lunghezza del punto

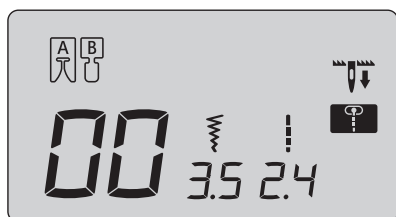
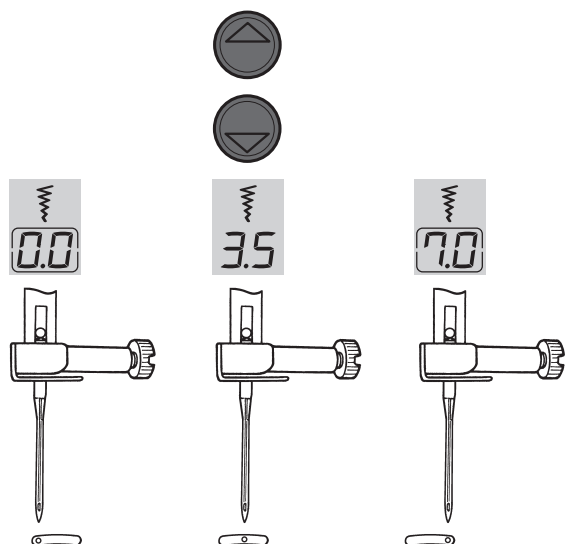


### ■ Cambiamento della posizione dell'ago del punto diritto

È possibile cambiare la posizione dell'ago con il tasto di modifica ampiezza zigzag.

Premendo "⏪", l'ago si sposta a sinistra.

Premendo "⏩", l'ago si sposta a destra.

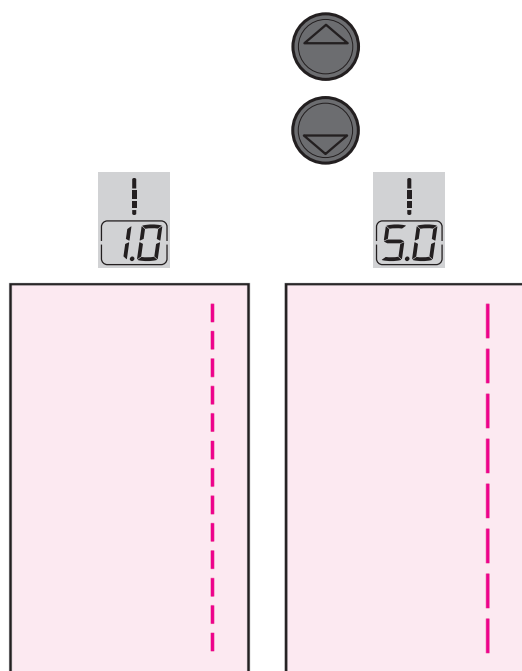


### ■ Cambiamento della lunghezza del punto

È possibile cambiare la lunghezza del punto con il tasto modifica lunghezza punto.

Premendo "⏪", il valore mostrato diventa minore e la lunghezza del punto si riduce in modo corrispondente.

Premendo "⏩", il valore mostrato diventa maggiore e la lunghezza del punto aumenta in modo corrispondente.





**G220**

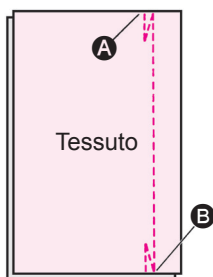
### ★ Punto annodato e taglio filo automatici

Dopo aver selezionato un punto, premere **↵** una volta. La macchina realizzerà alcuni punti di inversione (punti annodati), taglierà il filo dell'ago e della bobina e si fermerà.

Simbolo sullo schermo: **↵**

Premendo **↵** ancora una volta, questa funzione verrà cancellata.

Esempio: punto diritto

**G120**

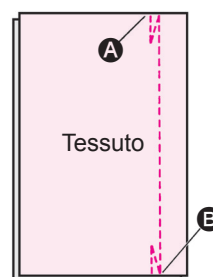
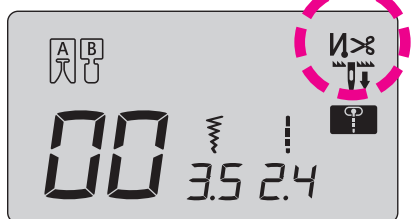
### ★ Chiusura automatica cucitura

Dopo aver selezionato un punto, premere **↵** una volta. La macchina cucirà dei punti di ritorno (punti di chiusura) e si fermerà.

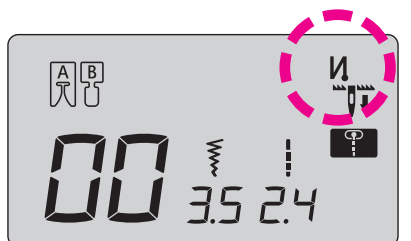
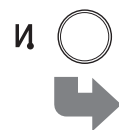
Simbolo sullo schermo: **↵**

Premendo **↵** ancora una volta, questa funzione verrà cancellata.

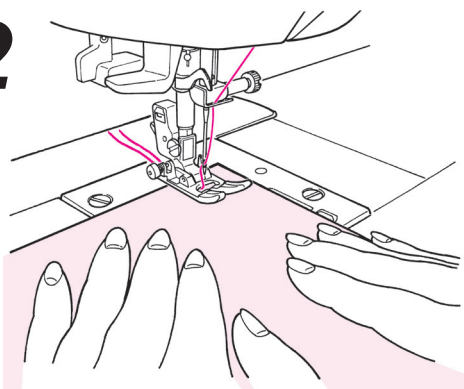
Esempio: punto diritto

**1****G220**

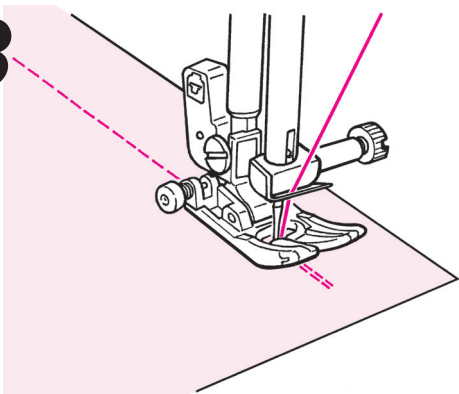
- Dopo aver selezionato un punto, è possibile premere **↵** per mostrare **↵** sullo schermo.

**G120**

- Dopo aver selezionato un punto, è possibile premere **↵** per mostrare **↵** sullo schermo.

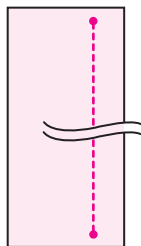
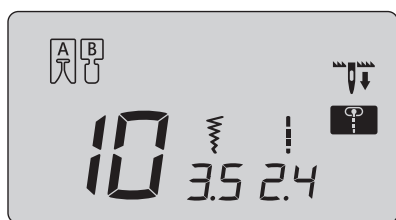
**2**

- **Posizionare il tessuto in posizione di inizio cucitura e cominciare a cucire. A**  
La macchina cuce alcuni punti indietro e continua.

**3**

- **Premere il tasto inversione punto. B**  
La macchina realizza punti di inversione, interrompe la cucitura e taglia il filo dell'ago e della bobina automaticamente.

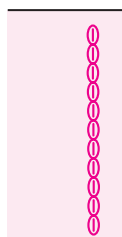
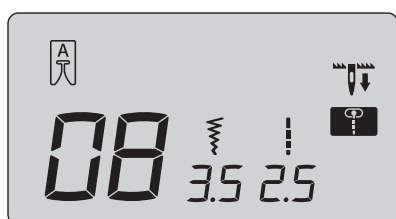
## ★ Altri punti diritti



### ■ Punto annodato (stay stitch)

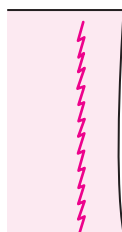
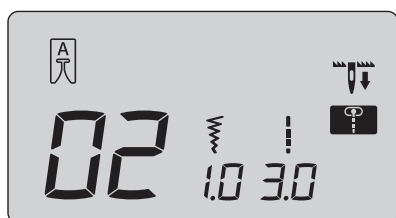
Alla fine della cucitura premere il pulsante per la cucitura all'indietro.

La macchina cucirà alcuni punti senza trasportare e si fermerà.



### ■ Punto di rinforzo diritto

Il punto di rinforzo diritto aiuta a rinforzare le cuciture quando viene usato per la cucitura su tessuti elastici o la parte del tessuto sottoposto a forza suscettibile di sfilacciarsi.



### ■ Punto diritto per tessuti elastici

Le cuciture finite sono elastiche. Questo sistema di punti può essere usato per realizzare punti diritti su tessuti elastici quali maglieria e jersey.

## Punto zig-zag

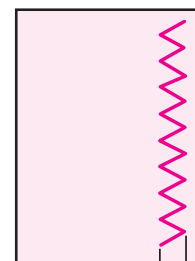
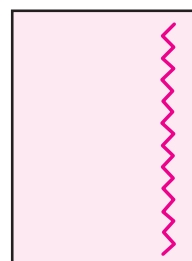
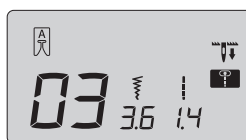


Punto No.	Pratico 03
Piedino	Piedino standard (A)



**Attenzione**

Spegnere la macchina prima di procedere alla sostituzione del piedino.



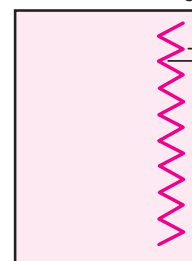
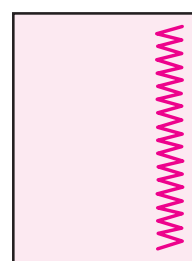
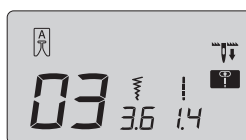
Ampiezza

### ■ Cambiamento dell'ampiezza dello zig-zag

L'ampiezza dello zig-zag può essere regolata durante la cucitura.

Premendo "▲", il valore mostrato diventa minore e l'ampiezza dello zig-zag si riduce in modo corrispondente.

Premendo "▼", il valore mostrato diventa maggiore e l'ampiezza dello zig-zag aumenta in modo corrispondente.



Lunghezza

### ■ Cambiamento della lunghezza del punto

La lunghezza del punto può essere regolata durante la cucitura.

Premendo "▲", il valore mostrato diventa minore e la lunghezza del punto si riduce in modo corrispondente.

Premendo "▼", il valore mostrato diventa maggiore e la lunghezza del punto aumenta in modo corrispondente.

# Sopraggitto



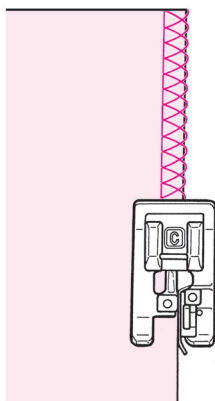
**Attenzione**

Spegnere la macchina prima di procedere alla sostituzione del piedino.

Questo tipo di punto viene usato per prevenire la sfilacciatura del bordo del tessuto.

## ■ Sopraggitto 1

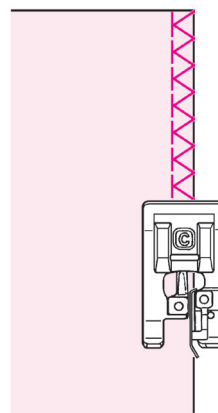
	Punto No.	Pratico 06
	Piedino	Piedino sopraggitto (C)



- Posizionare il tessuto nella direzione della guida e cucire. Se il tessuto e la guida sono separati la struttura del punto non sarà adeguata. Assicurarsi di guidare il tessuto lungo la guida e cucire lentamente.
- \* Prima di procedere con la cucitura, assicurarsi che l'ago non colpisca il piedino.

## ■ Overcasting stitch 2

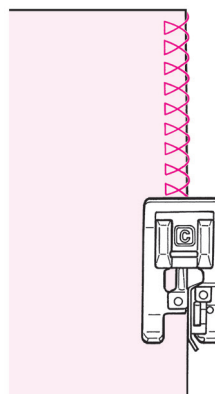
	Punto No.	Pratico 14
	Piedino	Piedino sopraggitto (C)



- Questo punto viene usato per il sopraggitto su materiali da medi a pesanti. Guidare il tessuto lungo la guida e cucire.
- \* Prima di procedere con la cucitura, assicurarsi che l'ago non colpisca il piedino.

## ■ Sopraggitto 3

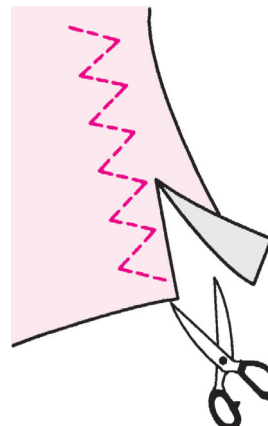
	Punto No.	Pratico 15 (Materiale leggero)
	Piedino	Piedino sopraggitto (C)



- Questo punto viene usato per il sopraggitto su materiali leggeri. Guidare il tessuto lungo la guida e cucire.
- \* Prima di procedere con la cucitura, assicurarsi che l'ago non colpisca il piedino.

## ■ Sopraggitto con zig-zag 3 punti



	Punto No.	Pratico 04
	Piedino	Piedino standard (A)



\* **Non usare il piedino sopraggitto (C).**

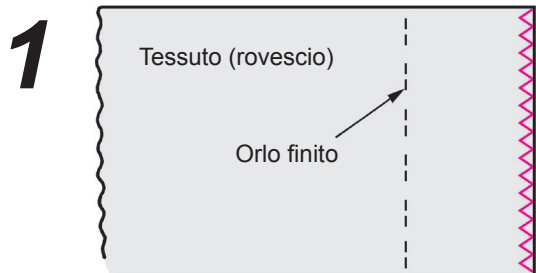
- Questo tipo di punto viene usato per prevenire la sfilacciatura del bordo tagliato del tessuto. Mantenere un po' di margine nella cucitura e tagliare attentamente il tessuto cucito in modo da evitare di tagliare i punti con le forbici.

# Punto invisibile

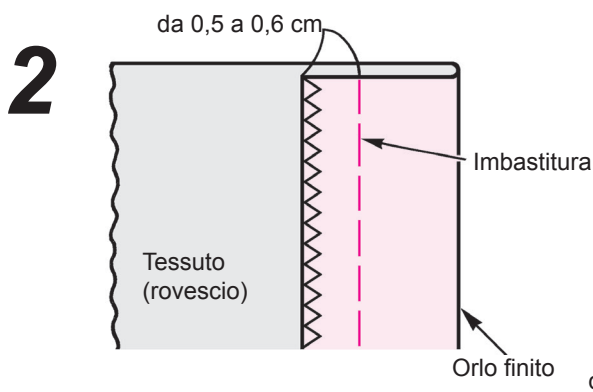
 	Punto No.	Pratico 07, 18 (Material leggero)
	Piedino	Piedino punto invisibile (D)

**⚠ Attenzione** Spegnere la macchina prima di procedere alla sostituzione del piedino.

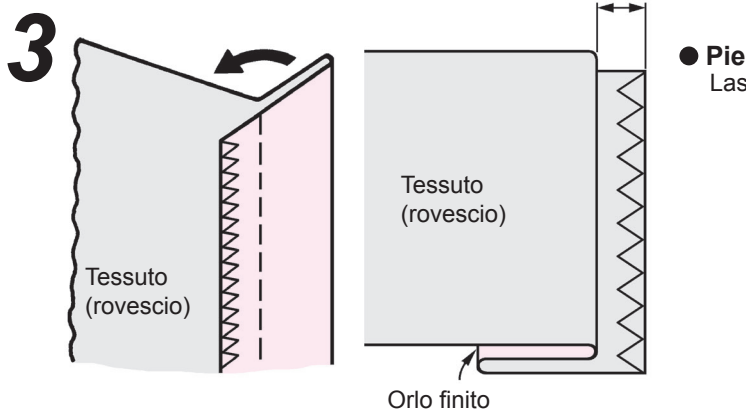
## ■ Piegatura del tessuto



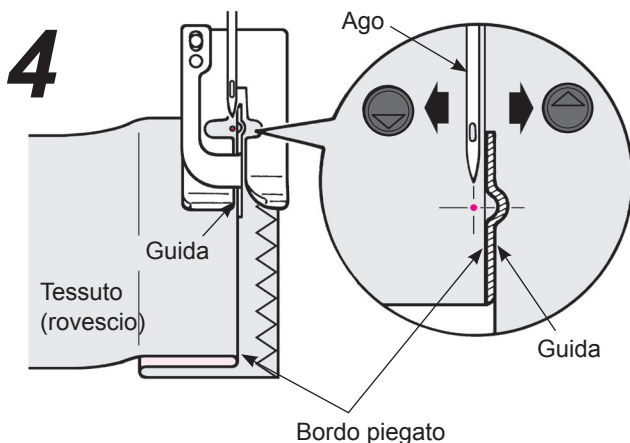
- **Cucitura di punti di sopraggitto sul bordo del tessuto.**
  - Fare riferimento alle pagine 27 per il sopraggitto.



- **Imbastitura.**

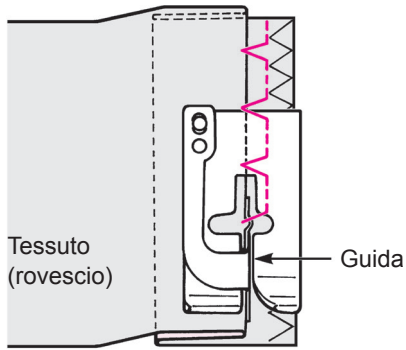


- **Piegare dall'imbastitura.**  
Lasciare da 0,5 a 0,6 cm.



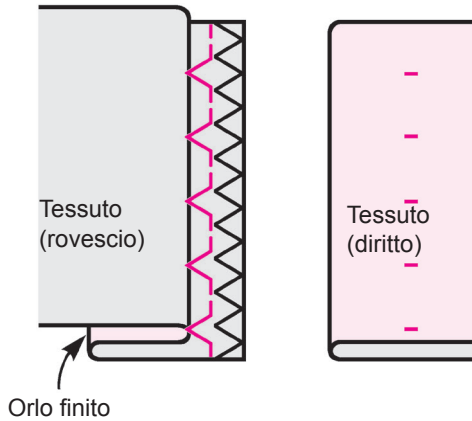
- **Allineare la guida del piedino con il bordo piegato. Girare il volantino e regolare la manopola regolazione ampiezza zig-zag così che i punti possano raggiungere il bordo piegato.**  
\* Assicurarsi che l'ago non colpisca il piedino.

# 5



● Posizionare il bordo piegato contro la guida e cucire il tessuto.

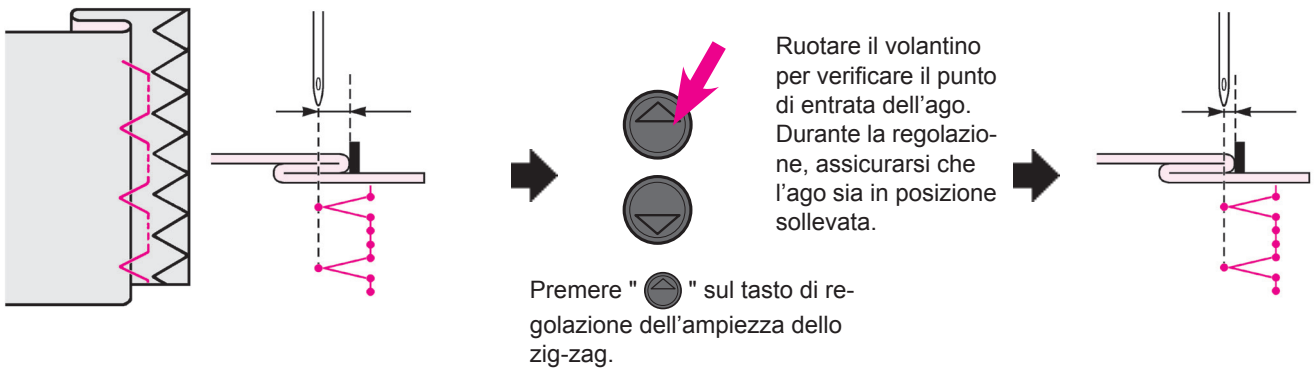
# 6



● A fine cucitura, rovesciare il tessuto.

## ■ Cambiamento del punto di entrata dell'ago

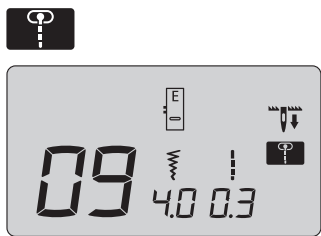
### 1. Se i punti oltrepassano il bordo piegato del tessuto



### 2. Se i punti non arrivano al bordo piegato del tessuto







# Punti per asole





	Punto No.	Pratico 09, 23~29
	Piedino	Piedino per asole (E)

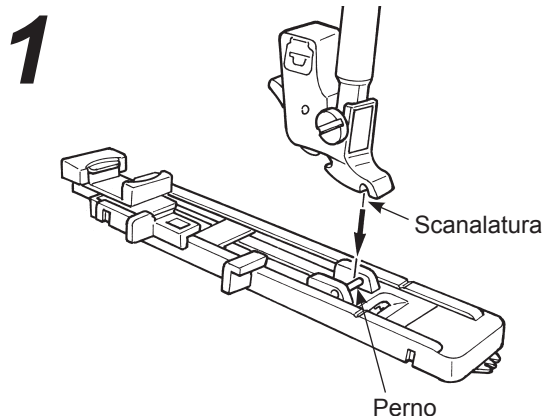
**Attenzione** Spegner la macchina prima di procedere alla sostituzione del piedino.

- \* La lunghezza dell'asola viene determinata automaticamente posizionando il bottone sul piedino per asole.
- \* La macchina può cucire asole per bottoni di diametro compreso tra 0,7 e 2,6 cm.
- \* In caso di tessuti elastici, usare un'interfodera non elastica sul rovescio del tessuto.
- \* Assicurarsi di eseguire prove di cucitura per verificare che la macchina realizzi le asole correttamente.
- \* Nr modello pratico 26, 27 sono per tessuti a maglia e dovrebbero essere realizzate con un ago da maglieria.

## Tipi di asole

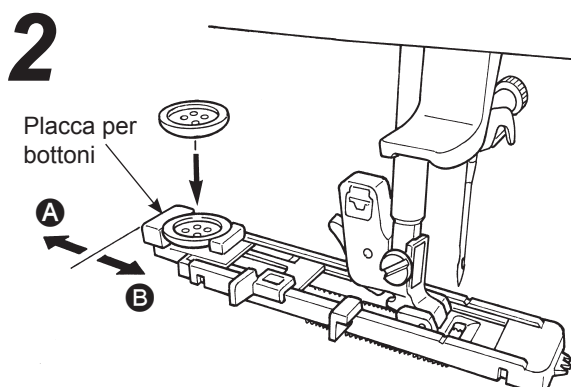
09		Asola standard	Asola per materiali da medi a pesanti Asola standard
23		Asola arrotondata	Asole per camicette da donna e vestiti per bambini. Anche per materiali leggeri.
25			
24		Asola a goccia	Asola a goccia per materiali pesanti quali completi, giacche, cappotti, etc.

26		Per maglieria	Asola per maglia leggera (usata anche come asola decorativa)
27			Asola per maglia media (usata anche come asola decorativa)
28		Decorativa	Asole decorative
29			Asola decorativa che sembra cucita a mano



● **Installazione del piedino.**

Premere il tasto di sollevamento/abbassamento dell'ago per sollevare l'ago ed alzare il piedino. Allineare la scanalatura del gambo piedino con il perno del piedino ed abbassare il gambo piedino per procedere con l'installazione.



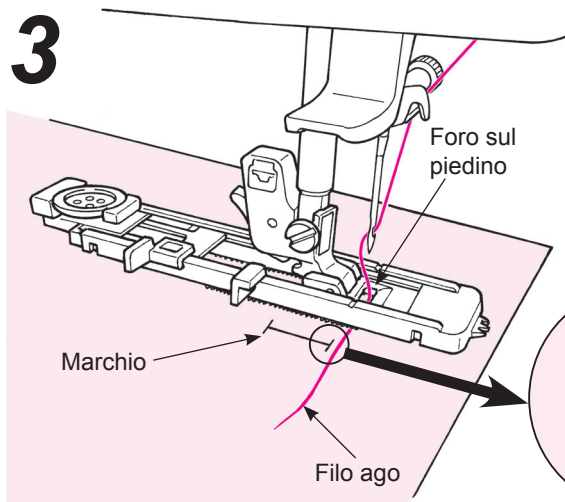
● **Posizionare il bottone.**

Tirare la placca per bottoni nella direzione di **A**, posizionare il bottone sulla placca e quindi spingere la placca stessa nella direzione **B** per impostare la lunghezza dell'asola.

\* **Non inserire bottoni con uno spessore superiore a 4 mm.**



# 3

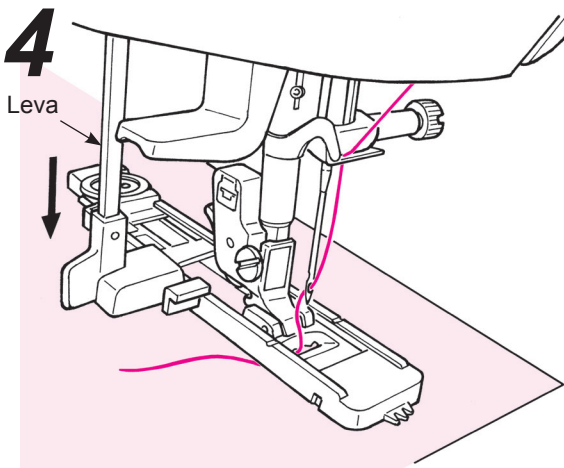


● **Posizionare il tessuto sotto il piedino.**

Sollevare il piedino, far passare il filo dell'ago attraverso il foro sul piedino e tirarlo fuori lateralmente.

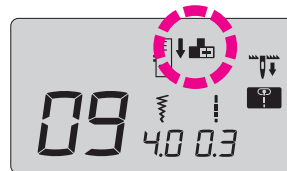
Posizionare il tessuto sotto il piedino, allineare il marchio con il punto di avvio cucitura. Far penetrare l'ago all'interno del tessuto facendo ruotare il volantino ed abbassare il piedino.

# 4



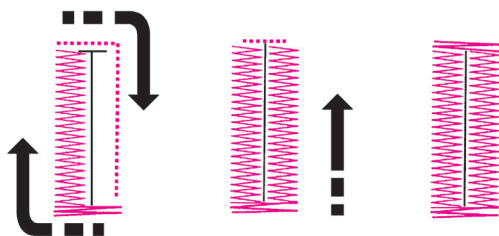
● **Abbassare la leva finchè non va oltre.**

La leva deve essere dietro la proiezione del piedino.



\* L'icona sullo schermo sparirà quando la leva sarà posizionata correttamente.

# 5



Cominciare da qui

● **Avvio cucitura.**

Dopo aver cucito l'asola, la macchina si arresta automaticamente.

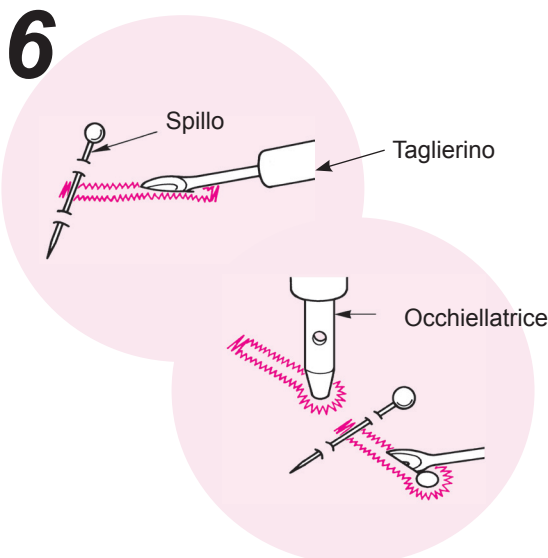
\* Se verrà cucita un'asola della stessa misura, premere il tasto rasafilo per tagliare i fili e alzare il piedino. Spostarsi quindi su un altro punto, abbassare il piedino e riprendere a cucire.

\* Durante l'occhiellatura, non modificare la lunghezza del punto e/ o l'ampiezza dello zig-zag. In caso contrario, i punti realizzati sarebbero sbilanciati.

\* Se il tasto per il taglio del filo viene premuto durante la cucitura dell'asola, la macchina si arresta e non completa l'operazione inizierà a cucire dall'inizio.

\* A seconda del materiale da cucire e delle caratteristiche di tessitura del materiale stesso, possono prodursi lievi differenze nell'ampiezza dello zig-zag tra le linee a destra e a sinistra dell'asola. Si consiglia di eseguire delle prove di cucitura.

# 6



● **Aprire l'asola usando un taglierino.**

**[doppia travetta]**



Infilare uno spillo nella travetta ed aprire l'asola con un taglierino. Assicurarsi di non tagliare i punti.

**[Asola a goccia]**

Inserire un cartoncino sotto l'asola e praticare un foro con l'occhiellatrice.

Quindi, infilare uno spillo nella travetta ed aprire l'asola con un taglierino.

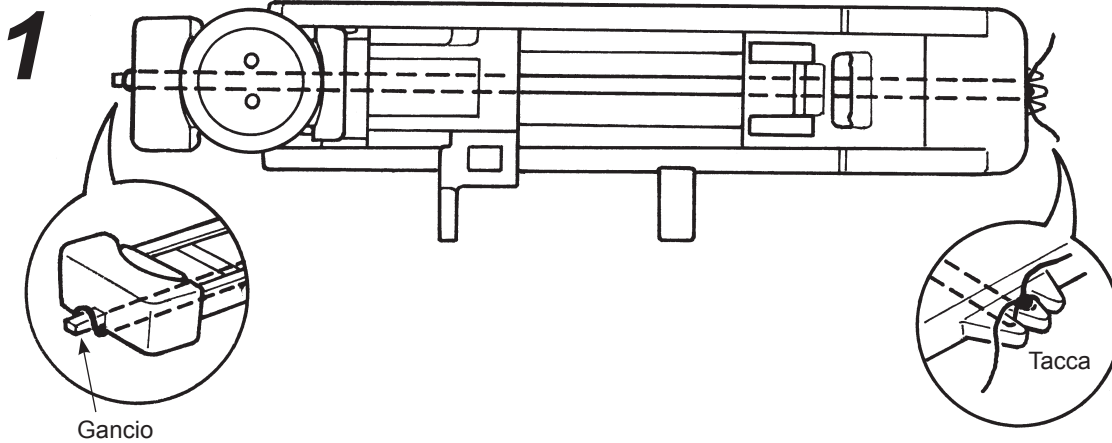
## ■ Asola con cordoncino

 	Punto No.	Pratico 09
	Piedino	Piedino per asole (E)

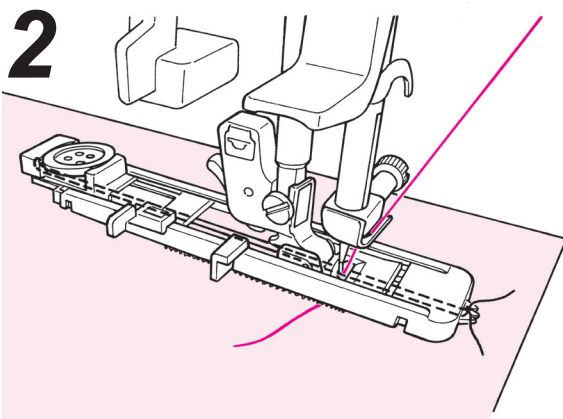
### ⚠ Attenzione

Spegnere la macchina prima di procedere alla sostituzione del piedino.

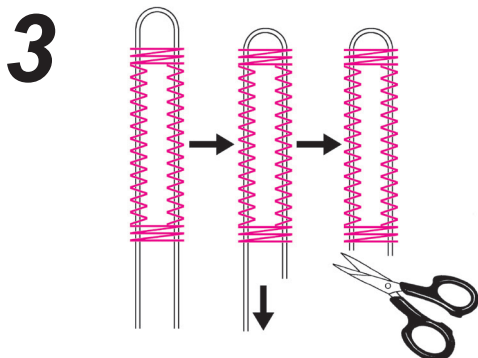
La realizzazione di asole col cordoncino impedisce alle asole di allungarsi e può renderle più sicure. Per il cordoncino, usare filo come quello impiegato per la cucitura a mano delle asole e simili.



- Far passare il filo dell'ago attraverso e sotto il piedino e quindi tenerlo sul lato del piedino.
- Posizionare un capo del filo cordoncino nella tacca davanti a destra del piedino per asole, premere il cordoncino sotto il piedino e infilare nel gancio del piedino.
- Dopo aver agganciato il filo, tirare il cordoncino sotto il piedino e infilarlo nella tacca davanti a sinistra del piedino.



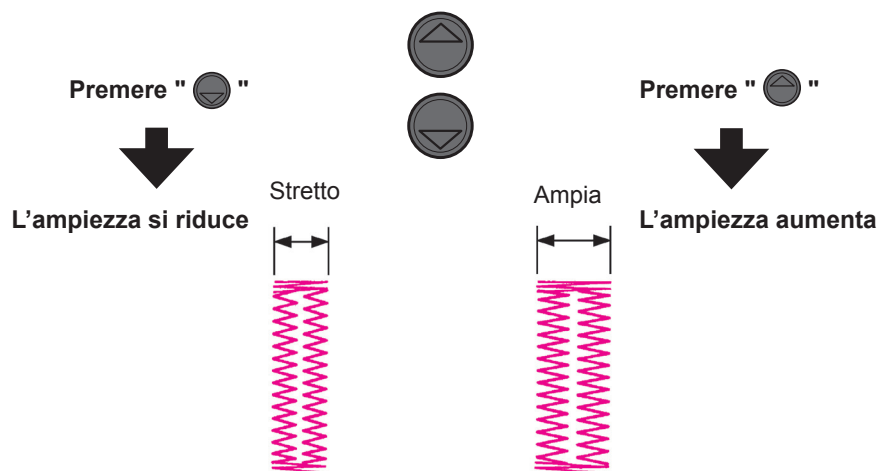
- Abbassare l'ago sul punto di inizio della cucitura ed abbassare il piedino.
- Eseguire l'asola.



- Tirare il cordoncino per rimuovere eventuali tratti allentati e tagliare la parte in eccesso.

## ■ Regolazione dell'ampiezza dell'asola

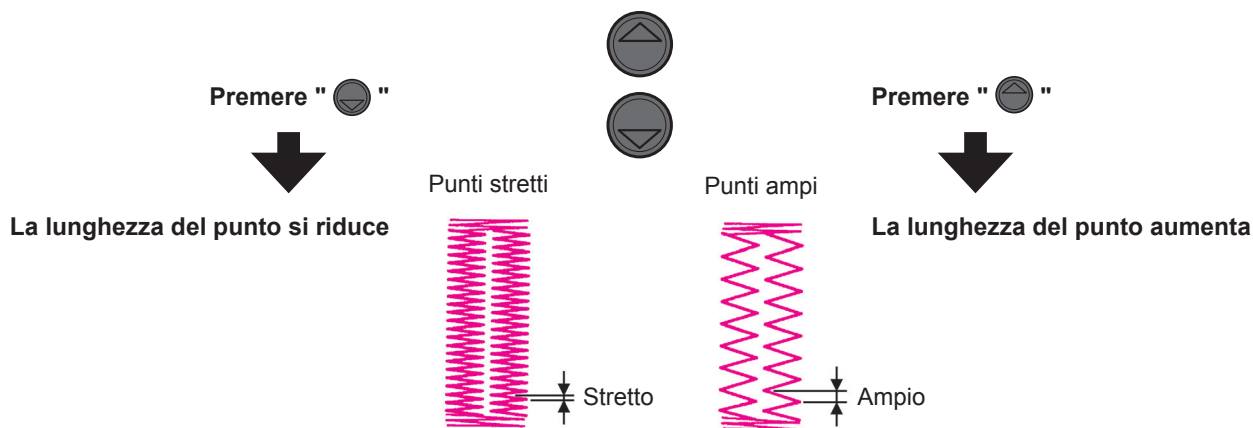
Premere il tasto modifica ampiezza zigzag.



\* Le impostazioni della larghezza dell'asola e della lunghezza del punto verranno cancellate selezionando un altro punto o allo spegnimento della macchina.

## ■ Regolazione della densità della cucitura

Premere il tasto modifica lunghezza punti.



# Travettatura

	Punto No.	Pratico 20
	Piedino	Piedino per asole manuali (I)

**Attenzione** Spegnere la macchina prima di procedere alla sostituzione del piedino.

I punti di travettatura vengono usati per rinforzare le parti di cucitura facilmente sfilacciabili.

\* La lunghezza della travetta è impostata premendo il tasto inversione punto. Tuttavia, una volta raggiunto un massimo di 20 punti si produce un'inversione ad U.

\* Nel caso in cui il piedino non possa essere parallelo alla placca ago, usare del tessuto di riempimento o un cartoncino.

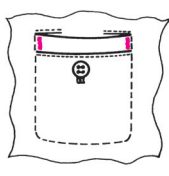
## Esempio di applicazioni



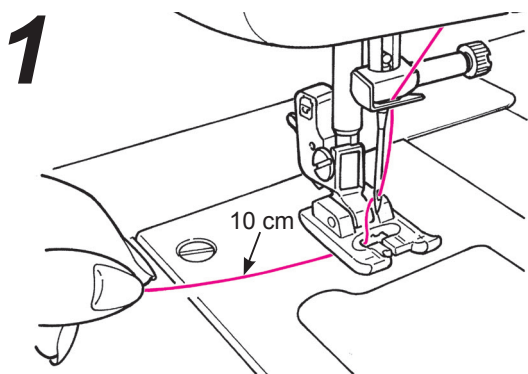
Pantaloni e gonne



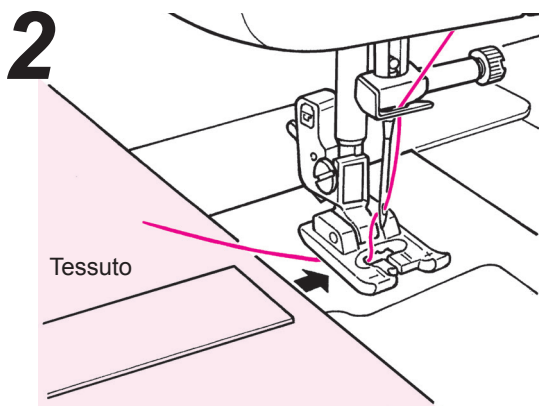
Borse



Tasche



● Far passare il filo dell'ago attraverso il piedino.

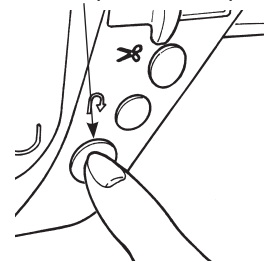


● Posizionare il tessuto sotto il piedino.

3



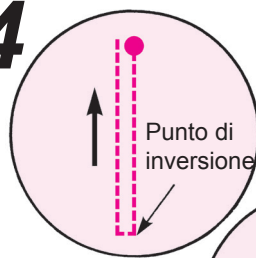
Tasto partenza/stop



● **Avvio cucitura.**

Premendo il tasto partenza/stop la macchina comincia a realizzare punti diritti.

4



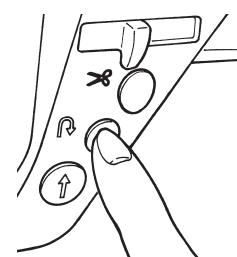
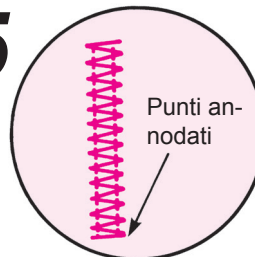
Tasto inversione punto



● **Arrivati al punto di inversione, premere il tasto inversione punto.**

La macchina torna al punto di partenza realizzando punti diritti e, quindi, realizza punti zig-zag fino a quando il tasto inversione punto viene premuto.

5

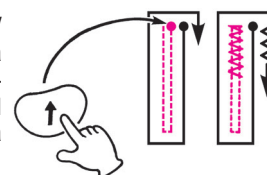


● **Arrivati al punto di fine cucitura, premere il tasto inversione punto.**

La macchina realizza punti annodati e si arresta.

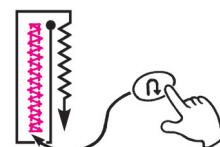
**Per cucire un'altra travetta della stessa lunghezza... una volta memorizzata la lunghezza della prima travetta,**

● Premendo il tasto partenza/stop, la macchina comincia a cucire ed effettua automaticamente un'inversione ad U nello stesso punto della prima travetta.





\* Se si vuole modificare la lunghezza memorizzata della barretta frontale, selezionare di nuovo il punto.

● Arrivati al punto di fine cucitura, premere il tasto inversione punto.



# Applicazione chiusure lampo

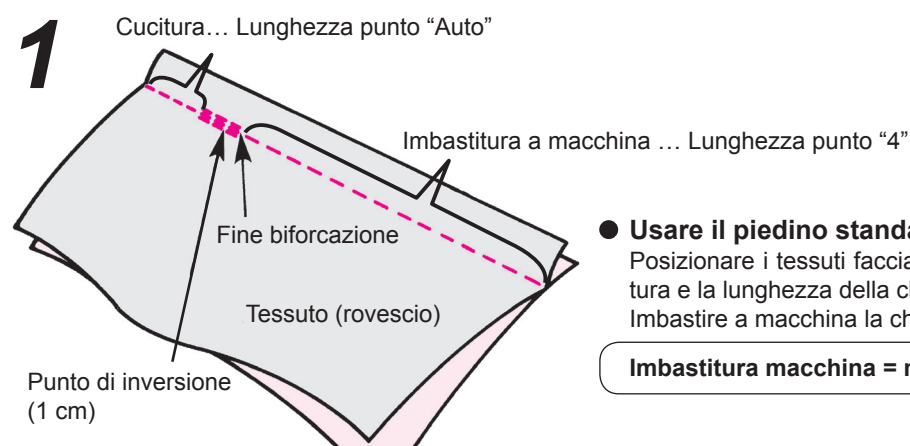
 	Punto No.	Pratico 00
	Piedino	Piedino per chiusure lampo (B)

 <b>Attenzione</b>	<b>Spegnere la macchina prima di procedere alla sostituzione del piedino.</b>
---	---

Le chiusure lampo possono essere applicate in due modi diversi: inserendo la cerniera sul lato tessuto e in modo centrato.

**\* Assicurarsi di usare la posizione ago centrale (Punto No. Pratico 00).**

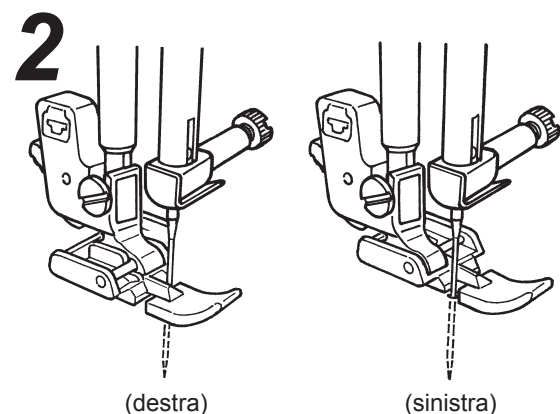
## ■ Preparazione prima di applicare la chiusura lampo



● **Usare il piedino standard (A) per cucire.**

Posizionare i tessuti faccia a faccia. Verificare la lunghezza della cucitura e la lunghezza della chiusura lampo da inserire. Imbastire a macchina la chiusura lampo sui tessuti.

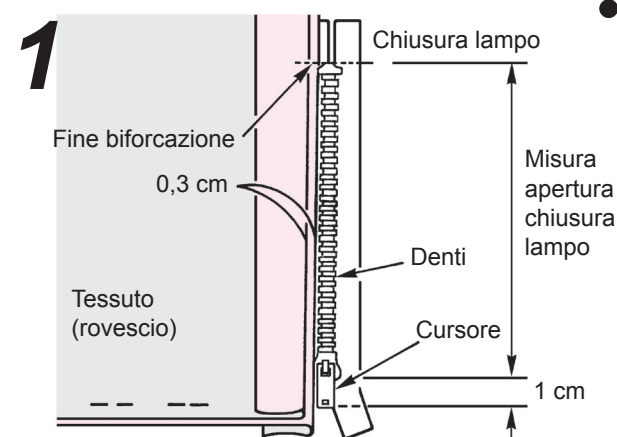
**Imbastitura macchina = misura apertura chiusura lampo + 1 cm**



● **Applicare il piedino per chiusure lampo (B) alla macchina.**

Per cucire il lato sinistro della chiusura lampo, collocare la chiusura lampo sotto la parte destra del piedino per chiusure lampo. Per cucire il lato destro della chiusura lampo, collocare la chiusura lampo sotto la parte sinistra del piedino.

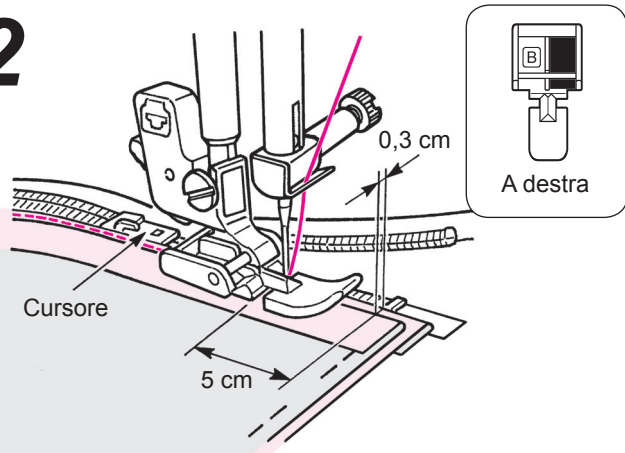
## ■ Applicazione a sovrapposizione



● **Aprire il margine della cucitura.**

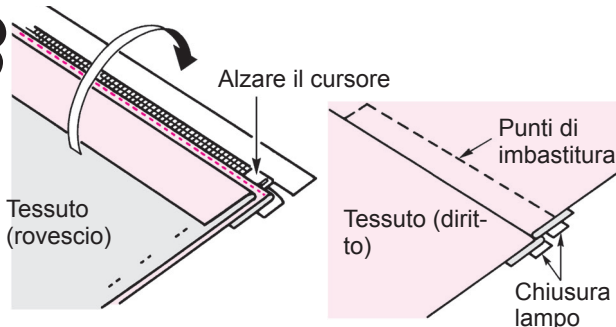
Aprire il margine della cucitura. Regolare il margine posteriore della cucitura in modo tale che sporga per 3 mm dalla cucitura. Pressare con un ferro per formare una piega. Inserire la piega lungo il bordo dei denti.



**2**

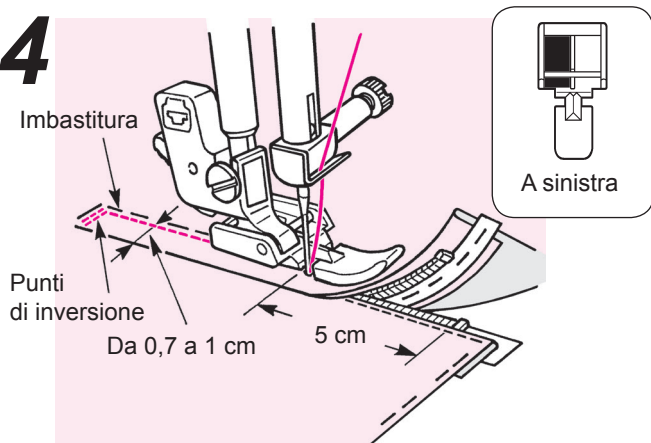
● **Cucire il nastro cerniera sul margine della cucitura dal fondo all'inizio.**

Inserire il bordo del piedino per chiusure lampo lungo il bordo dei denti della chiusura lampo, cucire il nastro cerniera sul margine della cucitura. Dalla parte del cursore della chiusura lampo, arrestare la macchina a 5 cm (2 pollici) prima del cursore. Spostare il cursore verso la parte opposta del piedino e cucire la chiusura lampo fino a raggiungere la parte iniziale.

**3**

● **Posizionare il tessuto sopra la chiusura lampo. Imbastire la chiusura lampo e posizionarla sul tessuto.**

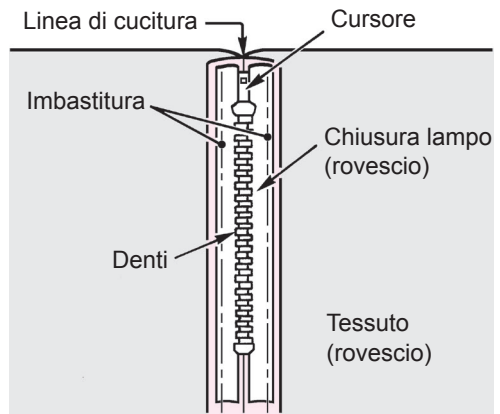
\* Imbastire la chiusura lampo con il tessuto usando punti di imbastitura manuali. Spostare il cursore verso la parte iniziale della chiusura lampo. Mettere il tessuto sopra la chiusura lampo ed eseguire l'imbastitura.

**4**

● **Realizzare punti di inversione e cucire il lato destro.**

Dopo aver realizzato dei punti di inversione, posizionare il lato sinistro del piedino per chiusure lampo sui denti della chiusura lampo. Cucire fino a 5 cm (2 pollici) del fondo della chiusura lampo. Disfare i punti di imbastitura e portare il cursore all'estremità opposta del piedino. Quindi, cucire il resto.

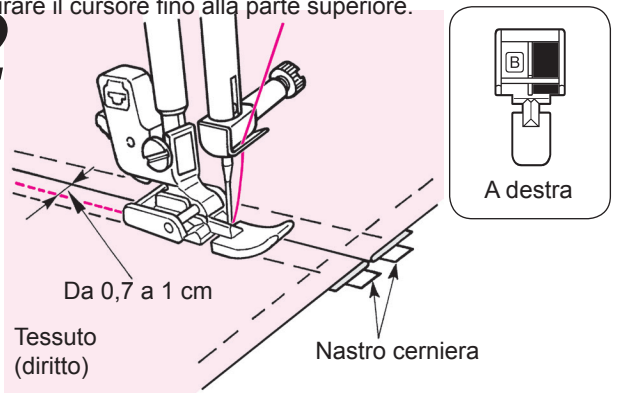
■ **Applicazione centrata**

**1**

● **Imbastire la chiusura lampo ed il corpo dell'indumento.**

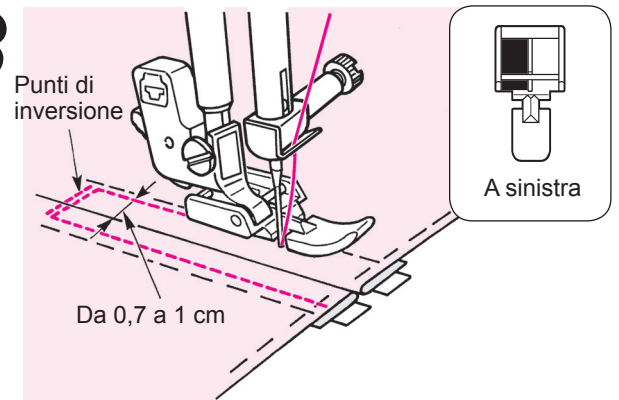
Aprire il margine della cucitura. Chiudere i denti della chiusura lampo sul fondo della linea di cucitura ed eseguire l'imbastitura manualmente.

Tirare il cursore fino alla parte superiore.

**2**

● **Cucire la parte sinistra della chiusura lampo sul margine della cucitura partendo dal fondo all'inizio.**

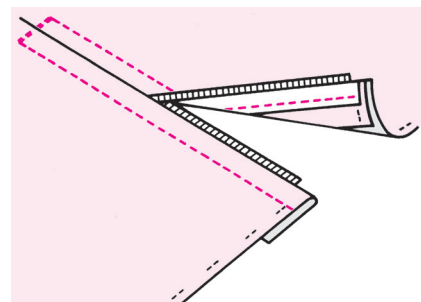
Cucire da 0,7 ad 1 cm dalla linea di cucitura.

**3**

● **Cucire la parte destra della chiusura lampo.**

Realizzare alcuni punti di inversione.



Cucire l'altro lato da 0,7 ad 1 cm dalla linea di cucitura.

**4**

● **Disfare soltanto i punti di imbastitura.**

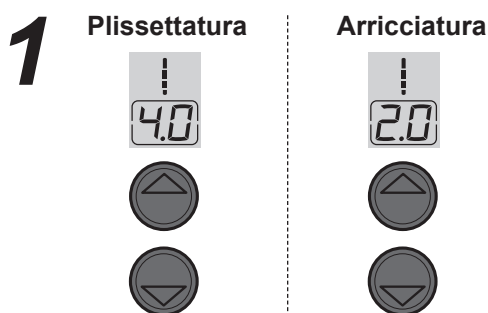


## Arricciatura e plissettatura

 	Punto No.	Pratico 00
	Piedino	Piedino standard (A)

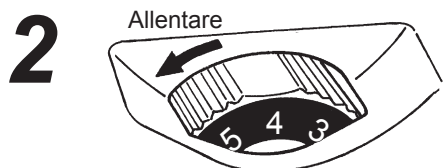
**⚠ Attenzione** Spegner la macchina prima di procedere alla sostituzione del piedino.

- ★ Arricciatura: per esempio, il profilo spalla e la vita di una gonna nelle quali l'arricciatura non è visibile.
- ★ Plissettatura: per esempio, il punto di giunzione spalla e le increspature di una gonna.

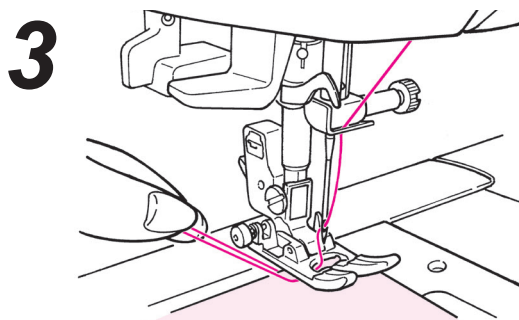


### ● Regolazione della lunghezza del punto.

Impostare 3,0 – 4,0 per la plissettatura e 1,5 – 2,0 per l'arricciatura.

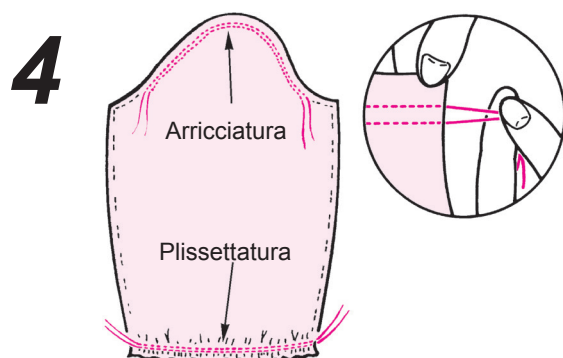


### ● Allentare la tensione del filo dell'ago.





### ● Avvio cucitura.

Lasciare circe 5 cm di filo ago e filo bobina all'inizio ed alla fine della cucitura e cucire una linea parallela.



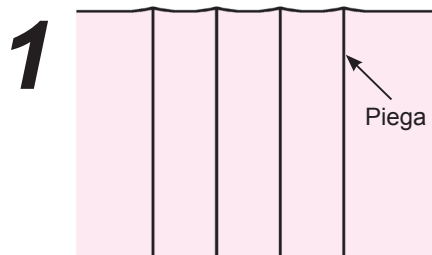
### ● Tirare con la mano il filo inferiore per arricciare il tessuto.

## Pieghe cucite ornamentali

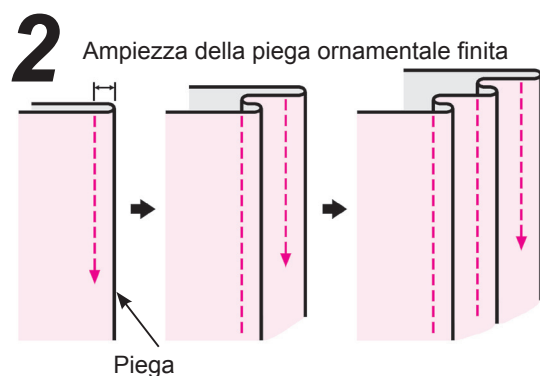
 	Punto No.	Pratico 00
	Piedino	Piedino standard (A)

**⚠ Attenzione** Spegner la macchina prima di procedere alla sostituzione del piedino.

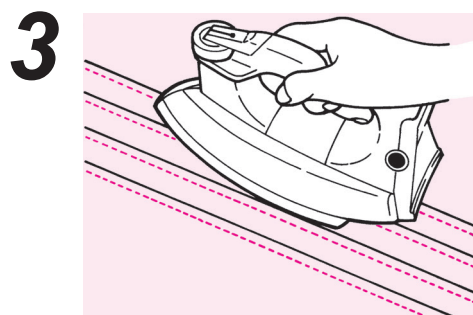
Questo punto viene usato per realizzare elementi decorativi sulla parte frontale di camicette, grembiuli, etc.



### ● Stirare le pieghe della piega ornamentale.



### ● Cucire le pieghe singolarmente ed evitare che si deformino.



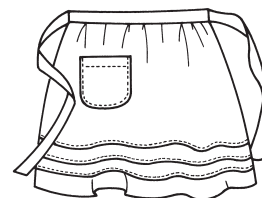
### ● Completata la cucitura, rovesciare le pieghe ornamentali e passare il ferro.

### ● Esempio di applicazioni


#### ● Camicette



#### ● Grembiuli

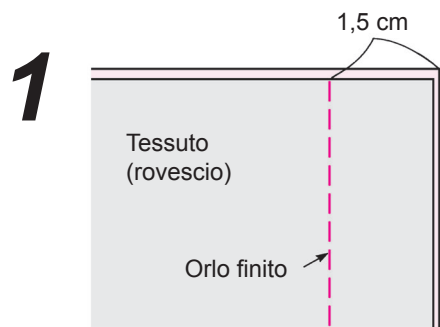


## Cucitura dell'orlo invisibile

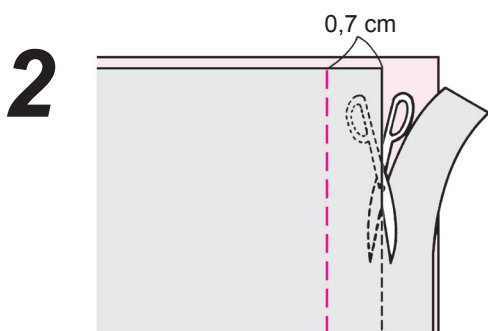
	Punto No.	Pratico 00
	Piedino	Piedino standard (A)

**Attenzione** Spegner la macchina prima di procedere alla sostituzione del piedino.

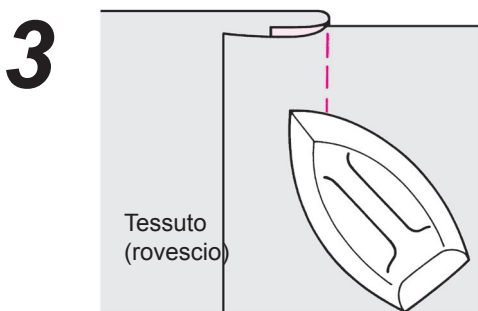
Questo punto viene usato per rafforzare un bordo.



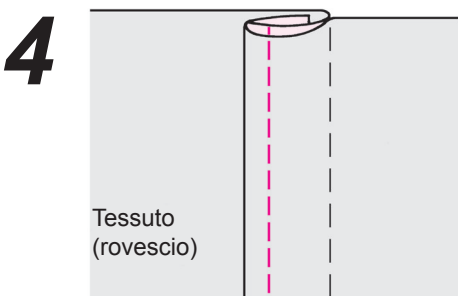
● Posizionare i tessuti insieme e cucire.



● Tagliare metà del margine della cucitura.




● Aprire i tessuti dall'orlo finito, piegare insieme il bordo della cucitura e passare il ferro da stiro.




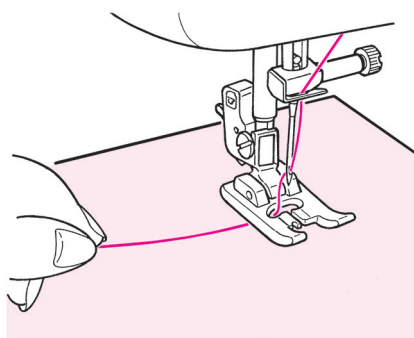
● Avvolgere il bordo della cucitura più corto con quello più lungo e cucire il bordo della piega.

## Punti decorativi e motivi a un punto

	Punto No.	Un punto 00~39
	Piedino	Piedino per asole manuali (I)

**Attenzione** Spegner la macchina prima di procedere alla sostituzione del piedino.

- Dopo aver selezionato un motivo, premere il tasto memoria MEM , così che il motivo a un punto sia visibile. Se il tasto memoria non verrà premuto, la macchina continuerà a cucire il motivo.

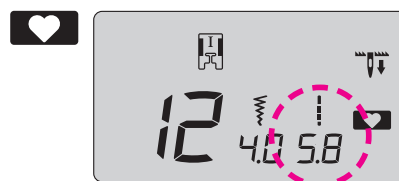


● Posizionare il tessuto sotto il piedino e cominciare a cucire.

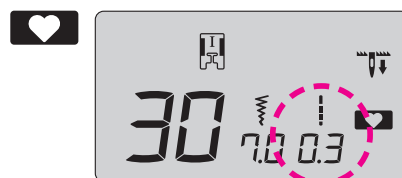
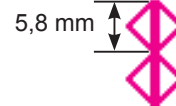
### Indicazione della lunghezza di un ciclo

Per quanto la lunghezza di un ciclo di punti decorativi sia indicata, considerare tale indicazione solamente come riferimento, dal momento che tale lunghezza può cambiare in funzione del tessuto e del filo.

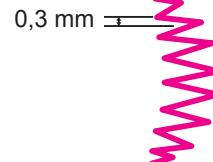
Esempio)





Viene indicata la lunghezza di un ciclo.



È mostrata la lunghezza dei punti del motivo.

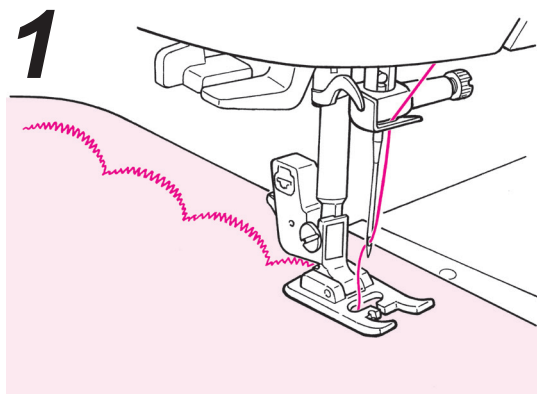


## Punto smerlo

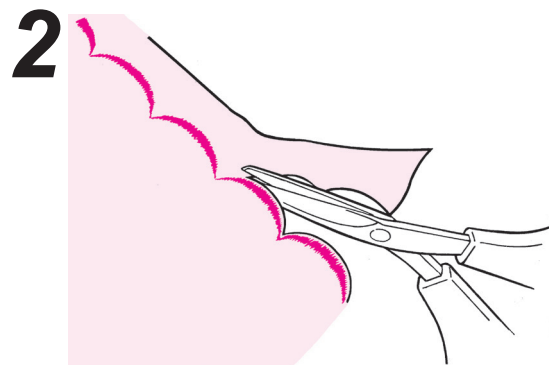
 	Punto No.	Un punto 30
	Piedino	Piedino per asole manuali (I)

 <b>Attenzione</b>	Spegnere la macchina prima di procedere alla sostituzione del piedino.
---	--

Questo punto viene usato per realizzare rifiniture decorative su tovaglie, colletti di camicette, etc.





- Per mantenere il motivo intatto, lasciare un margine e cucire sul bordo del tessuto.



- Tagliare con attenzione il tessuto cucito in modo da evitare di tagliare i punti con le forbici.

\* Regolare la lunghezza dei punti decorativi in base al tessuto da cucire. Cucire su tessuti troppo spessi può provocare inceppamenti.



## Quilt

 	Punto No.	Pratico 30~39
	Piedino	Piedino per asole manuali (I)

 <b>Attenzione</b>	Spegnere la macchina prima di procedere alla sostituzione del piedino.
---	--

Usando un punto decorativo si ottiene un aspetto decorativo nelle linee di congiunzione dei patchwork. Si raccomanda l'uso di un tipo di filo decorativo come il filo da ricamo.

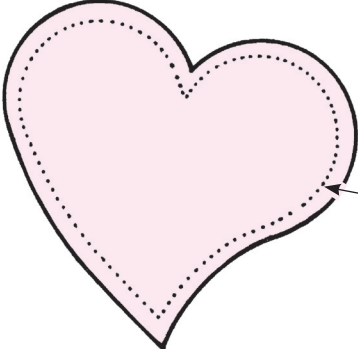
## Applicazioni

 	Punto No.	Pratico 05
	Piedino	Piedino per asole manuali (I)

 <b>Attenzione</b>	<b>Spegnere la macchina prima di procedere alla sostituzione del piedino.</b>
---	---

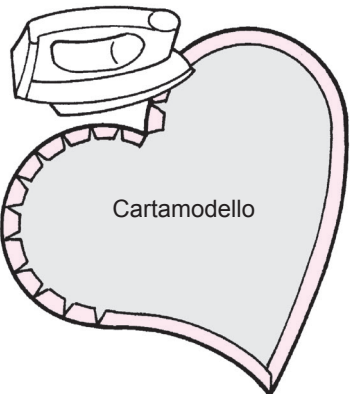
È possibile cucire un'applicazione in modo da rendere i punti non evidenti.

- 1**



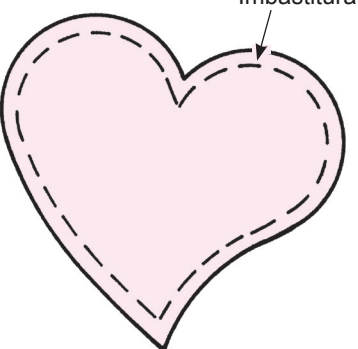
Margine della cucitura

  - **Tagliare il tessuto dell'applicazione con un margine di cucitura di 3~5mm.**
  
- 2**



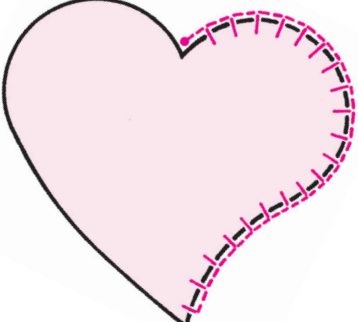
Cartamodello

  - **Posizionare il cartamodello sul rovescio del tessuto e piegare il margine della cucitura nel bordo.**
  - **Posizionare il tessuto dell'applicazione sul tessuto base. Fissare temporaneamente con punti di imbastitura o colla.**
  
- 3**

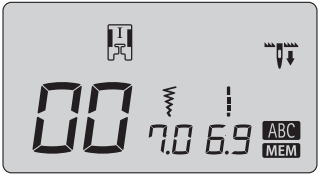


Imbastitura

  - **Ruotare il volantino verso di voi e cominciare a cucire lungo il lato esterno del tessuto dell'applicazione.**  
All'avvio della cucitura, la macchina eseguirà automaticamente 3 punti annodati.  
\* Quando si cuciono angoli molto accentuati, tenere l'ago all'interno del tessuto, sollevare il piedino, cambiare la direzione di cucitura e cucire lentamente.
  
- 4**


  - **Punto annodato al termine della cucitura.**  
Premere il tasto inversione punto e la macchina eseguirà automaticamente tre punti annodati. È preferibile realizzare i punti annodato sul lato esterno del tessuto dell'applicazione.  
\* Per i punti delle applicazioni viene usata normalmente la posizione ago centrale, ma è possibile usare la posizione ago a destra o a sinistra. Per cambiare la posizione dell'ago: vedi pagina 24

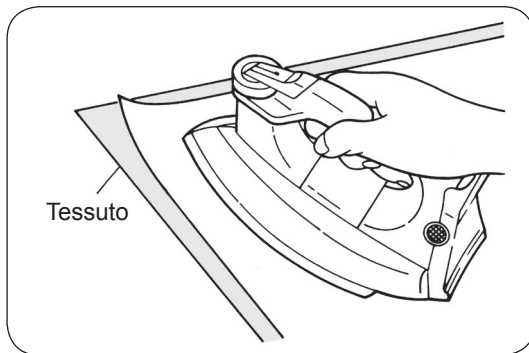
# Cucire lettere e motivi a un punto

	Punto No.	Un punto 00~39 Lettere 00~99
	Piedino	Piedino per asole manuali (I)

**⚠ Attenzione** Spegnere la macchina prima di procedere alla sostituzione del piedino.

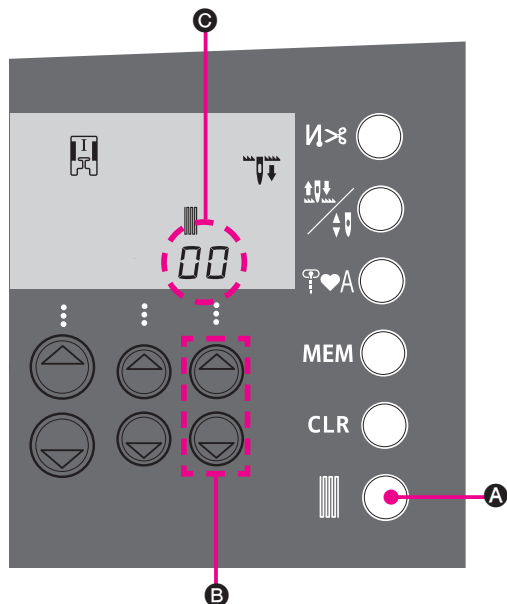
## ■ Preparazione prima della cucitura

(al fine di ottenere un motivo regolare, applicare un'interfodera e condurre preliminarmente una prova di cucitura)



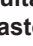



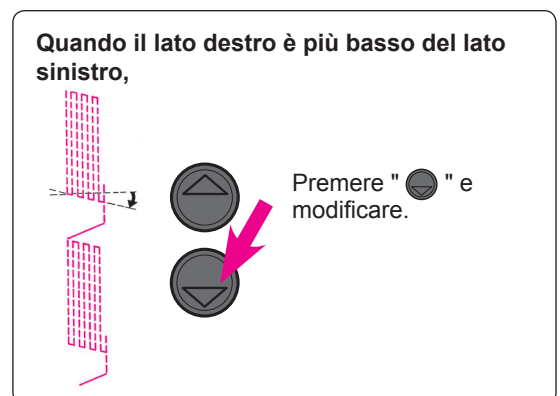
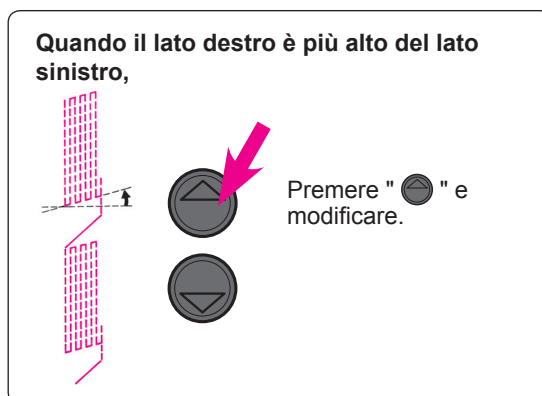
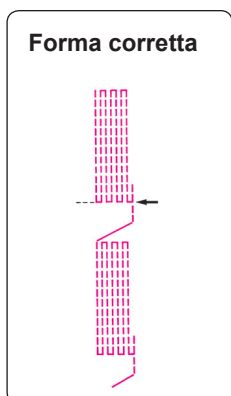
Usare un ferro da stiro per attaccare un termoadesivo sul rovescio del tessuto.  
\* Quando la lunghezza del punto diventa troppo piccola, il filo della bobina fuoriesce verso la parte frontale del tessuto e/o i punti possono incepparsi. Pertanto, assicurarsi di condurre preliminarmente una prova di cucitura.

## ■ Prova di cucitura



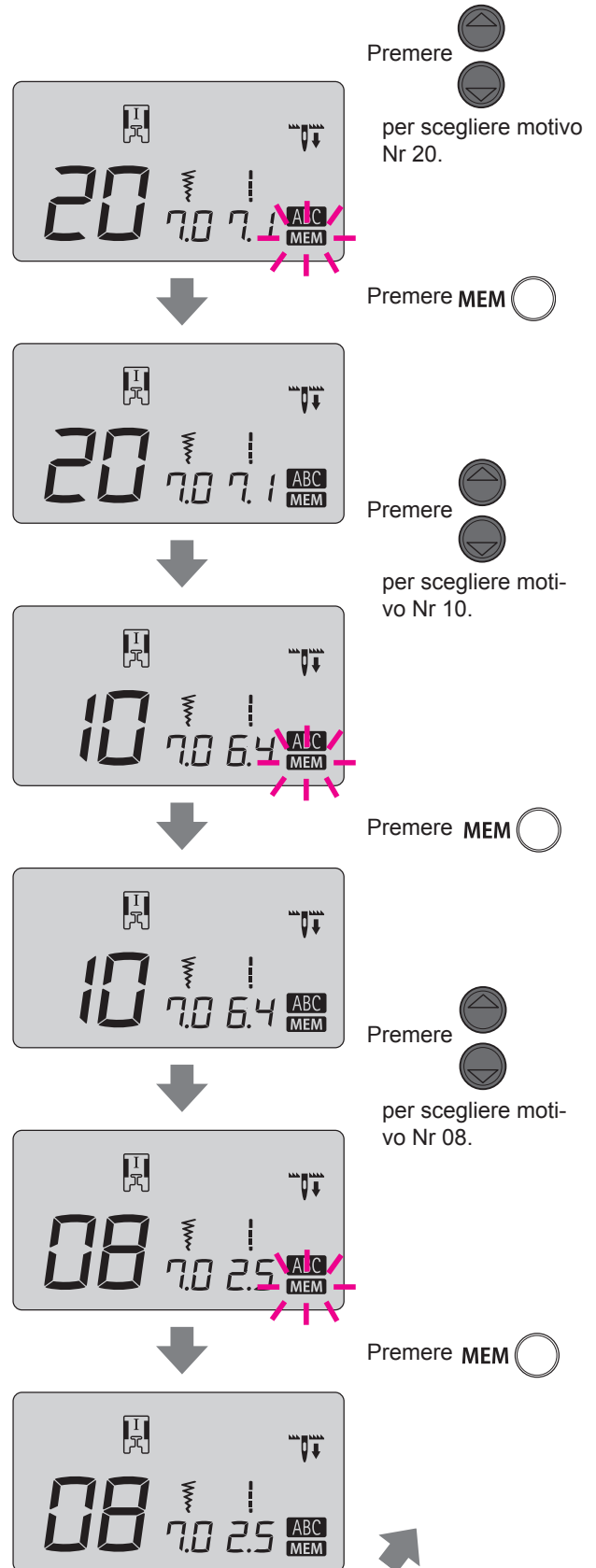
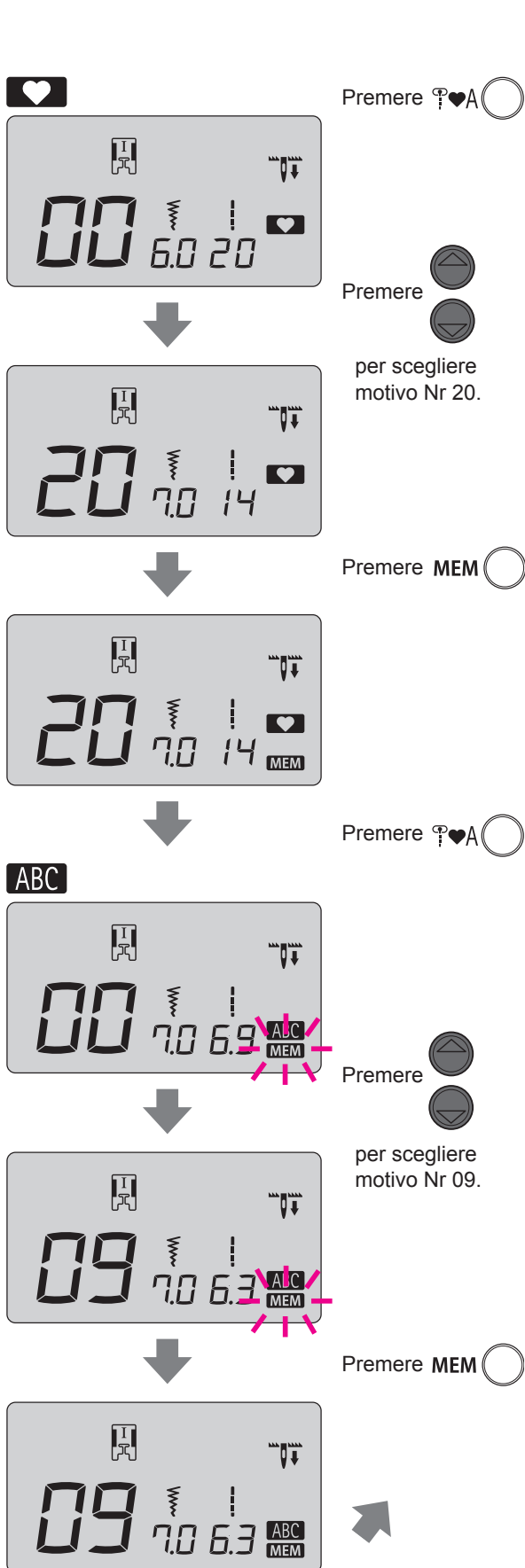
Dal momento che il motivo potrebbe essere deformato a seconda del tipo e dello spessore del tessuto e del termoadesivo da usare, assicurarsi di condurre la prova di cucitura sullo stesso tessuto e sullo stesso termoadesivo.

1. Premere il tasto  (A).
2. Posizionare un pezzo di tessuto e un filo da usare per un test di cucitura.
3. Controllare il risultato della cucitura. Se non è giusto cambiare la figura  con il tasto di modifica lunghezza punti  (B). Possono essere selezionate figure da "-30" a "+30".
4. Quando il tasto  (A) sarà nuovamente premuto, lo schermo tornerà normale.

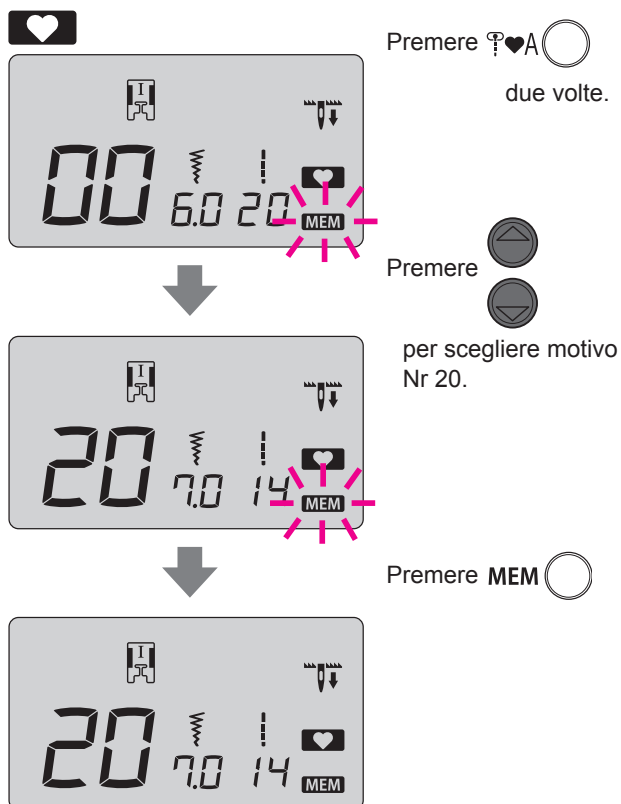


## ■ Come selezionare i punti (lettere)

### Esempio







**Per cambiare la dimensione del carattere (lettere) ....**

**Muovere il cursore sul carattere prescelto (lettera). È possibile impostare altezza e larghezza come segue:**

**Altezza :** tasto modifica ampiezza zigzag

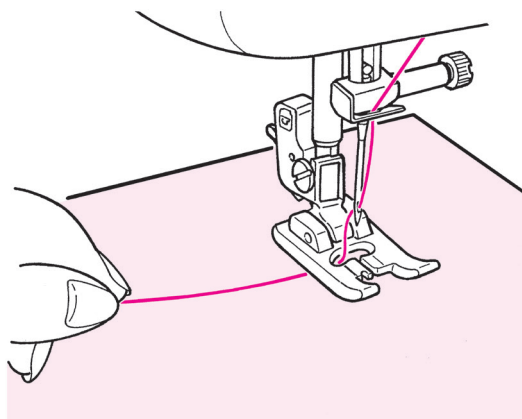
**Ampiezza:** tasto modifica lunghezza punti

**MEM** Possono essere memorizzate fino a 70 lettere e motivi a un punto.

Cancellare lettere e motivi dalla memoria

**CLR** Premerlo cancellerà i motivi dalla memoria dall'ultimo al primo. Quando il tasto è tenuto premuto possono essere cancellati dalla memoria tutti i punti.

## ■ Come cucire un punto (lettere)



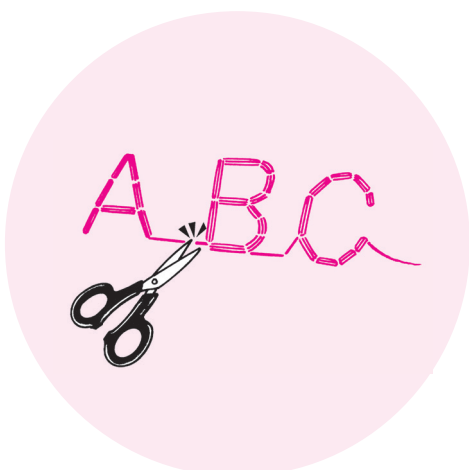
**Posizionare il tessuto sotto il piedino e cominciare a cucire.**

Al termine della cucitura la macchina si arresta automaticamente.

**Note:**

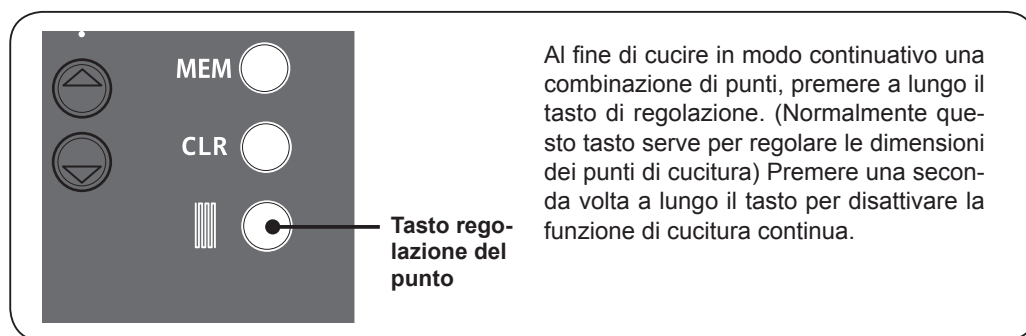
1. La velocità di cucitura varia a seconda dei punti (lettere) da cucire.
2. Se viene usato il tagliafilo automatico durante le operazioni di cucitura, la macchina riprende a cucire dall'inizio.
3. Per una cucitura molto densa, se la lunghezza del punto è troppo piccola, i punti possono incepparsi.

## ■ Eliminazione delle estremità dei fili dei punti saltati



Eliminare con le forbici il filo non necessario sulla parte frontale del tessuto.

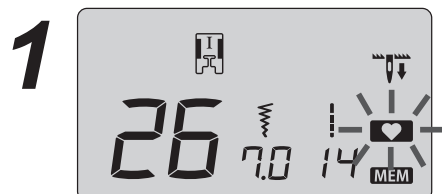
## ■ Come cucire in modo continuativo una combinazione di punti decorativi




Esempio: se si vuole cucire



5 volte continuamente



Dopo aver memorizzato i punti, premere a lungo il tasto di regolazione.  lampeggerà.

2 Iniziare a cucire.



Durante la cucitura dell'ultima combinazione (la quinta), premere a lungo il tasto di regolazione per disattivare la funzione di cucitura continua. La macchina si fermerà dopo aver terminato di cucire la combinazione scelta.

\* Se iniziate a cucire la combinazione di punti senza aver premuto a lungo il tasto di regolazione all'inizio, potete sempre premerlo durante la fase di cucitura. Premendo a lungo il tasto di regolazione una seconda volta la funzione di cucitura continua verrà disattivata e la macchina si fermerà dopo aver cucito l'ultimo punto.

## Introduzione agli accessori opzionali

Rendete più piacevole i vostri lavori di cucito!

Potrete acquistare i seguenti articoli presso il vostro punto vendita di fiducia.

- **Piedino per orlo arrotolato**

Il bordo del tessuto viene orlato arrotolandolo verso il basso. Usato per il fondo di camicie, camicette, incre-spature e per il bordo dei fazzoletti.

- **Piedino per trapunto (tipo trasparente)**

Viene usato per eseguire il trapunto senza trasporto automatico. Usando questo piedino è possibile eseguire anche punti zig-zag.

- **Piedino per attaccare bottoni**

Questo piedino viene usato per attaccare bottoni sugli indumenti.

- **Piedino per cordonetto e ricamo**

Viene usato per il trapunto senza trasporto automatico e con questo piedino è possibile cucire un cordonetto.

- **Piedino per attaccare perline**

Con questo piedino è possibile attaccare perline e cordonetti spessi.

- **Piedino con guida**

Piedino con segni che indicano una distanza di 2 mm e che fungono da guida.

- **Placca ago per punti dritti**

Da usare con il piedino patchwork per una migliore qualità dei punti.

- **Piedino con bordatore**

È possibile attaccare nastri come sbiechi in quattro pieghe.

- **Piedino per orlo per zig-zag**

Il bordo del tessuto viene orlato con zig-zag arrotolandolo verso il basso. Usato per il fondo di camicie, camicette, increspature e per il bordo dei fazzoletti.

- **Piedino per trapunto (tipo aperto)**

Usato nella cucitura senza trasporto automatico. La parte frontale aperta consente di vedere con facilità il punto di entrata dell'ago.

- **Piedino per applicazioni**

Dal momento che la parte anteriore e la parte posteriore del piedino sono corte, è facile muovere i materiali in corrispondenza dei punti di curvatura. Inoltre, il tessuto può essere visto facilmente essendo il piedino trasparente.

- **Piedino per cordonetto (per 3 cordonetti)**

È possibile attaccare 1-3 cordonetti mediante zig-zag triplo o punto decorativo.

- **Piedino per chiusure lampo invisibile**

Dal momento che non appare una cucitura sul lato destro del tessuto, è possibile rifinire un'apertura con i bordi del tessuto che combaciano perfettamente.

- **Piedino per applicazioni scorrevoli**

Usato per materiali non scivolosi quali il vinile e per realizzare punti pieni.

- **Occhiellatrice**

Per aprire un foro nell'area tondeggiante delle asole a goccia.

- **Tavola larga**

Per cucire su progetti di grandi dimensioni come trapunte, etc.

- **Piedino per applicazioni con punta aperta**

Piedino usato per eseguire applicazioni e punti decorativi. (La parte frontale del piedino è aperta per una maggiore visibilità.)

- **Piedino per la cucitura dell'orlo**

Usato per realizzare patchwork cucendo la linea centrale dei materiali uniti mediante la guida centrale del piedino.

- **Piedino trasportatore**

Usato per materiali difficili da trasportare quali indumenti a maglia, jersey, vinile, pelle artificiale, pelle o trapunte.

- **Piedino per trapunto**

Piedino usato per i punti di trapunto (trapunto senza trasporto automatico).

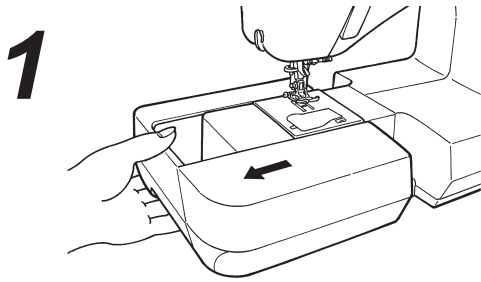
- **Piedino patchwork**

Usato per punti patchwork.

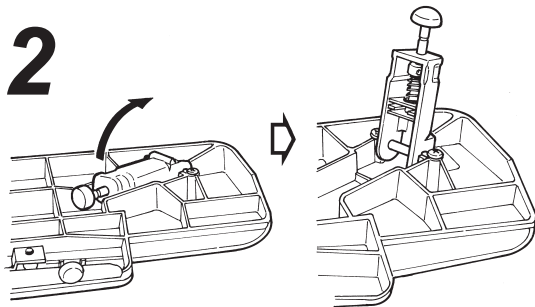
- **Guida trapunto**

Guida usata per cucire linee equidistanti.

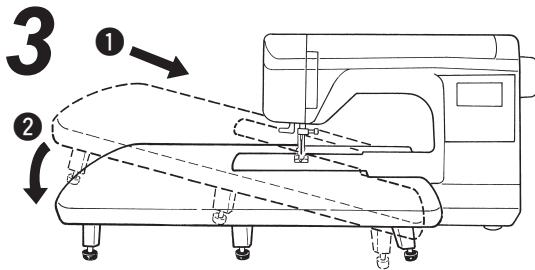
## Come installare la tavola larga



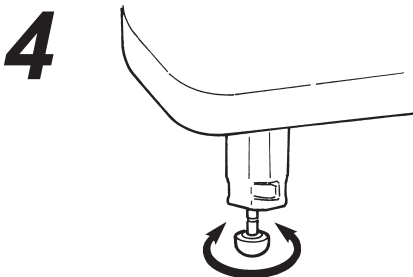
- Rimuovere la base ausiliaria.



- Aprire le gambe della tavola larga fino a raggiungere la loro posizione di stop.



- Montare la tavola larga sul corpo della macchina per cucire.  
Attaccarla al braccio libero della macchina per cucire.





- Regolare l'altezza delle gambe in modo tale che la superficie superiore della tavola larga si trovi alla stessa altezza del corpo della macchina per cucire.

**⚠ Attenzione**

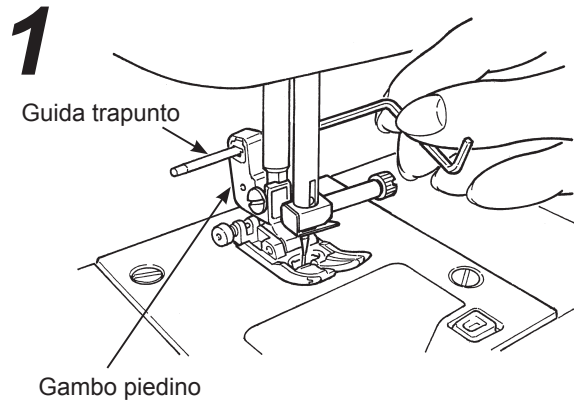
- \* Non appoggiare alcun materiale pesante sulla tavola larga.
- \* Non spostare la macchina per cucire con la tavola larga montata.

## Come usare la guida trapunto

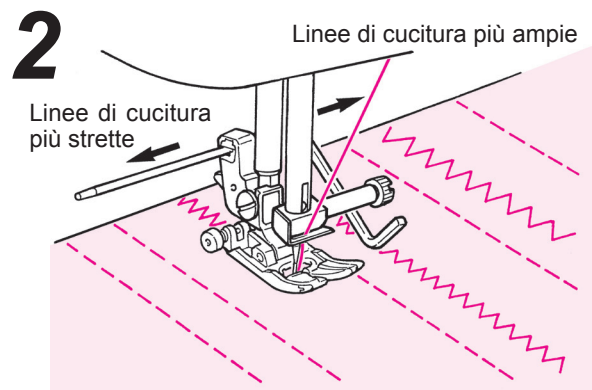
 	Punto No.	Pratico 00, 03
	Piedino	Piedino standard (A)

**⚠ Attenzione**

Spegnere la macchina prima di procedere alla sostituzione del piedino.





- Inserire la guida trapunto nella scanalatura del gambo piedino.



- Cucire tracciando i punti con la punta della guida trapunto.  
La distanza tra le linee di cucitura può essere regolata liberamente.

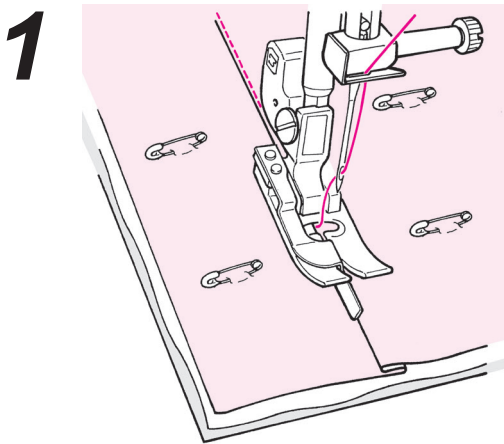
## Punti nella linea di trapunto

 	Punto No.	Pratico 00
	Piedino	Piedino per la cucitura dell'orlo (R)

**Attenzione** Spegner la macchina prima di procedere alla sostituzione del piedino.

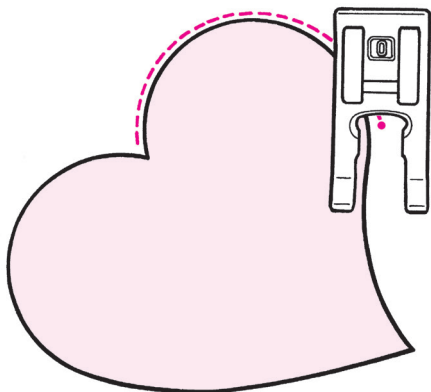
Viene usato per effettuare il trapunto sull'orlo di patchwork e applicazioni. La macchina effettua la cucitura sul lato più basso (più sottile) degli strati di tessuto.

Come risultato di ciò, i punti non sono visibili e l'effetto è quello di un disegno tridimensionale o enfatizzato.



- Mettere insieme lo strato superiore del tessuto con patchwork e/o applicazioni, cotone da trapunto e lo strato inferiore del tessuto mediante spilli o punti di imbastitura.


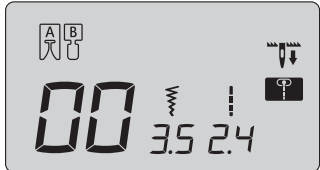
- Posizionare la guida del piedino lungo la piega e cucire.  
L'ago penetra dietro la guida, così che il bordo della piega può essere cucito.  
\* Se non è possibile cucire i punti desiderati, regolare la posizione dell'ago.  
Per la regolazione della posizione dell'ago: vedi pagina 24



### ★ Trapunto nascosto curvo

Usare il piedino per asole manuali (I) o il piedino per applicazioni con punta aperta (O). Cucire curve sollevando il piedino e cambiando molto spesso direzione. Può essere fatto anche senza trasporto automatico usando il piedino per trapunto. (Vedi pagina 48.)

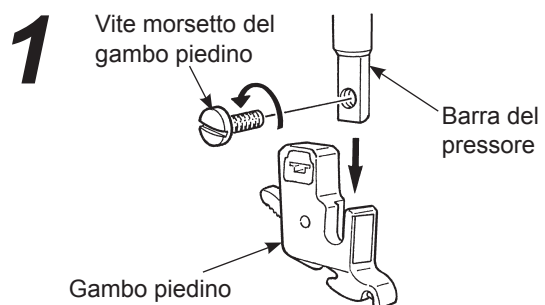
## Trapunto (punto diritto)

 	Punto No.	Pratico 00
	Piedino	Piedino trasportatore (N)

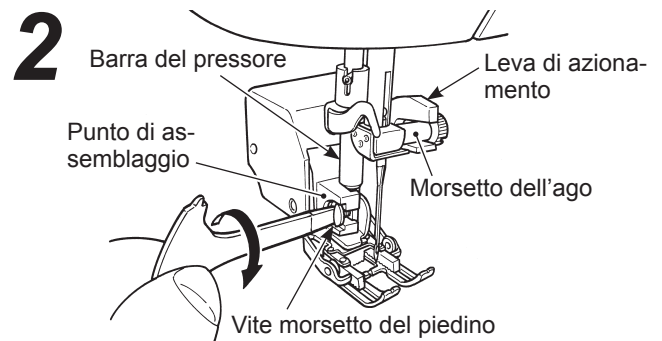
**Attenzione** Spegner la macchina prima di procedere alla sostituzione del piedino.

Il trapunto è una tecnica consistente nel cucire uno strato superiore di tessuto, del cotone per trapunto in posizione intermedia ed uno strato inferiore di tessuto.

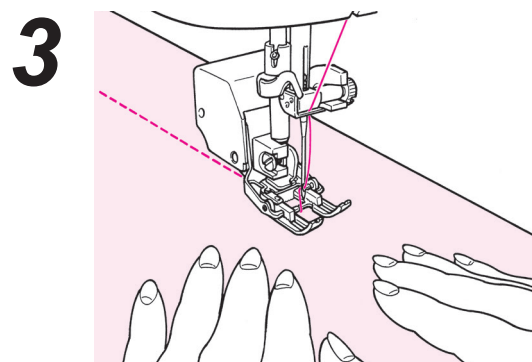
Usando il piedino trasportatore, la macchina trasporta insieme il tessuto superiore e quello inferiore allo stesso tempo, così da eliminare lo spostamento del tessuto.



- Mettere insieme lo strato superiore di tessuto con patchwork e/o applicazioni, il cotone da trapunto ed il tessuto inferiore usando spilli o punti di imbastitura.



- Montare il piedino trasportatore.  
Sollevare la barra del pressore. Allentare la vite morsetto del gambo piedino e rimuoverlo. (Vedi pagina 12.) Collocare la leva di azionamento sul morsetto dell'ago, inserire il punto di assemblaggio della barra del pressore e stringere la vite morsetto del piedino.



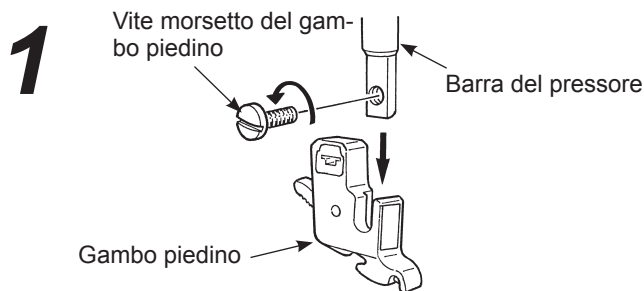
- Mettere le mani su entrambi i lati del piedino e cucire tirando i tessuti.  
\* Procedere a velocità di cucitura da bassa a media.

## Trapunto (senza trasporto automatico)

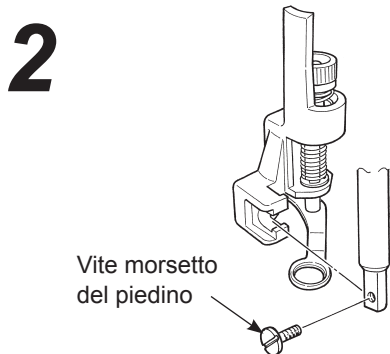
	Punto No.	Pratico 00
	Piedino	Piedino per trapunto (Q)

**Attenzione** Spegner la macchina prima di procedere alla sostituzione del piedino.

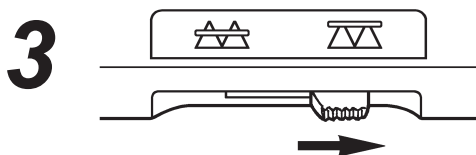
Per trapunto senza trasporto automatico si intende lo spostare i tessuti liberamente in qualsiasi direzione senza ricorrere alla griffa di trasporto della macchina per cucire. Quando la griffa di trasporto è abbassata (trasportatore abbassato), è possibile cucire varie curve e/o in qualsiasi direzione spostando i tessuti con le mani.



- Mettere insieme lo strato superiore di tessuto con patchwork e/o applicazioni, il cotone da trapunto ed il tessuto inferiore usando spilli o punti di imbastitura.

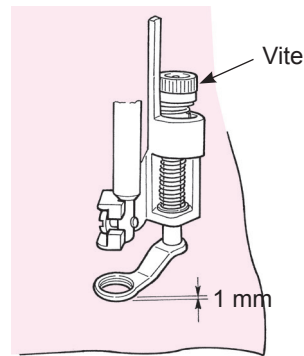


- **Montare il piedino per il trapunto.**  
Sollevare la barra del pressore. Allentare la vite morsetto del gambo piedino e rimuoverlo. (Vedi pagina 12.)  
Montare il piedino per il trapunto e serrare la vite morsetto.



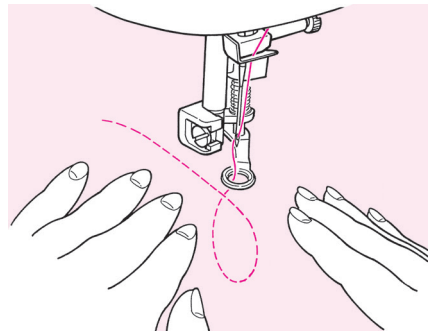
- **Spostare la manopola di trasporto a caduta verso il lato destro.**  
La griffa di trasporto è ora abbassata.

**4**



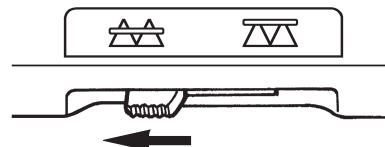
- Posizionare il tessuto sotto il piedino ed abbassare il piedino.
- Regolare tramite l'apposita vite l'altezza del piedino in funzione dello spessore del tessuto. L'altezza del piedino a 1 mm dal tessuto faciliterà lo spostamento del tessuto senza interferenze.

**5**



- Usare entrambe le mani per tenere i tessuti e muoverli senza permettere che si allentino. La lunghezza target del punto è di circa 1,5~2,0 mm.

**6**



- **Al termine della cucitura senza trasporto automatico, muovere la manopola di trasporto a caduta verso sinistra.**  
La griffa di trasporto sarà sollevata ed innestata nello stesso momento in cui la macchina comincia a cucire.

### Suggerimenti

- **Come chiudere i punti**
  1. All'inizio della cucitura, tirare su il filo della bobina sullo strato superiore del tessuto, tenere il filo dell'ago e della bobina insieme e realizzare 3 punti nello stesso punto. Dopo di che muovere i tessuti a piacimento. In tal modo, i punti sul rovescio dei tessuti appaiono precisi.
  2. Al termine della cucitura, cucire 3 punti sullo stesso punto e fermarsi.
- **Come realizzare punti con la stessa lunghezza**
  1. Quando si usa il piedino, i tessuti possono essere guidati con entrambe le mani ed è possibile spostarli liberamente.
  2. Impostare una velocità media o medio-bassa, premere completamente il piedino e muovere i tessuti.
    - Se i punti diventano troppo grandi, aumentare la velocità.
    - Se i punti diventano troppo piccoli, ridurre la velocità.

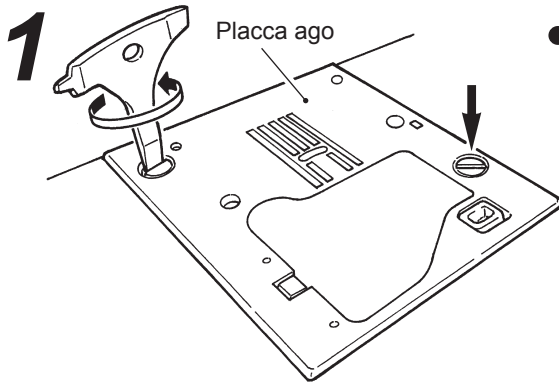
☆ Quando si cuce senza trasporto automatico con punti zig-zag, usare il piedino per trapunto (tipo trasparente), il quale è disponibile come opzione presso il vostro rivenditore di fiducia.



# Manutenzione della macchina

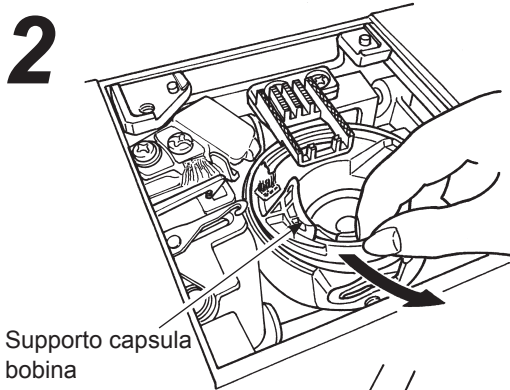
L'accumulo di filaccia e/o sporco può causare un malfunzionamento della macchina. Si consiglia pertanto procedere alla pulizia con una certa frequenza.

**⚠ Attenzione** Scollegare sempre la spina dalla presa prima di rimuovere la placca e rimuovere il supporto della bobina.

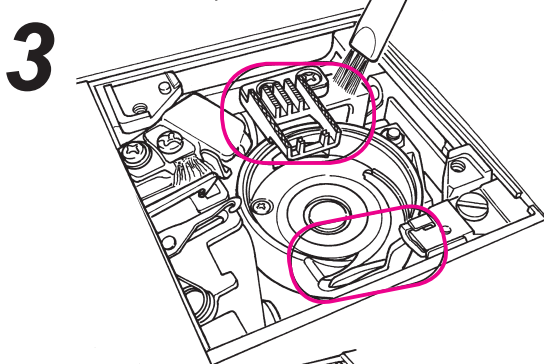


● **Rimuovere la placca ago**

Rimuovere l'ago ed il piedino e quindi rimuovere la placca ago usando il cacciavite a T.

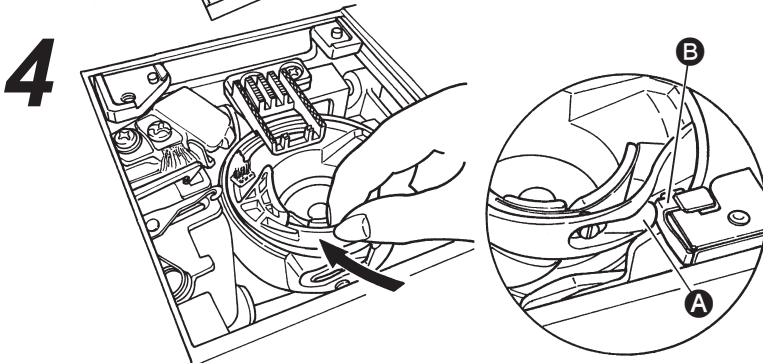


● **Rimuovere il supporto della capsula bobina.**



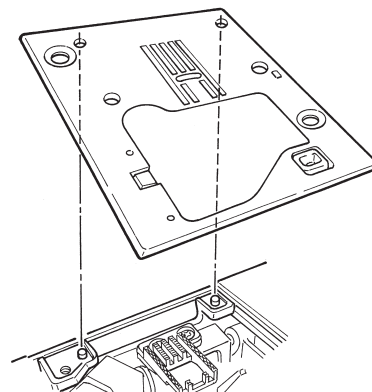
● **Rimuovere filacce e sporco.**

Rimuovere le filacce e lo sporco attorno alla griffa di trasporto e al supporto della capsula bobina usando la spazzola per pulire.



● **Reinstallare il supporto della capsula bobina.**

Reinstallare il supporto della capsula bobina in modo da far coincidere tra loro i punti **A** e **B**.



● **Reinstallare la placca ago**

Nel reinstallare la placca ago, allineare i perni di posizionamento con i fori sulla placca ago.

## Risoluzione dei problemi

Se si manifestano difficoltà di cucitura, assicurarsi che le istruzioni siano seguite correttamente.

Se il problema persiste, la tabella sotto riportata può essere d'aiuto.

Problema	Causa	Soluzione	Pag.
<ul style="list-style-type: none"> <li>La macchina smette di cucire improvvisamente. (Nel caso in cui si possa ruotare il volante con le mani)</li> </ul>	<ul style="list-style-type: none"> <li>La macchina cuce a bassa velocità per un periodo continuato. (La macchina è dotata di un meccanismo che interrompe automaticamente l'alimentazione per prevenire il surriscaldamento del motore.)</li> </ul>	<ul style="list-style-type: none"> <li>Spegnere la macchina ed attendere (circa 10 minuti). Il meccanismo di sicurezza verrà resettato e la macchina tornerà a funzionare normalmente.</li> </ul>	3
<ul style="list-style-type: none"> <li>La macchina si ferma mentre cuce. (manovella dura da girare)</li> </ul>	<ul style="list-style-type: none"> <li>Se il filo si aggroviglia e/o l'ago è incurvato il motore si bloccherà e il meccanismo di sicurezza entrerà subito in funzione e la macchina smetterà di cucire.</li> </ul>	<ul style="list-style-type: none"> <li>Risoluzione delle cause di aggrovigliamento del filo.</li> <li>Controllare che l'ago non sia incurvato.</li> <li>* Spegnere prima di controllare l'ago.</li> </ul>	- 18
<ul style="list-style-type: none"> <li>La macchina si ferma dopo aver cucito alcuni punti.</li> </ul>	<ul style="list-style-type: none"> <li>In caso di temperatura relativamente bassa della stanza e/o aggrovigliamento filo, o nel caso il motore vada in sovraccarico, il meccanismo di sicurezza entra in funzione e la macchina si ferma per evitare di surriscaldarsi.</li> </ul>	<ul style="list-style-type: none"> <li>Lasciare la macchina nella stanza, così che si adatti alla temperatura dell'ambiente.</li> <li>Risoluzione delle cause di aggrovigliamento del filo.</li> </ul>	3 -
<ul style="list-style-type: none"> <li>La macchina non funziona anche se viene avviata.</li> </ul>	<ul style="list-style-type: none"> <li>Il piedino è sollevato.</li> </ul>	<ul style="list-style-type: none"> <li>Abbassare il piedino ed iniziare la cucitura.</li> </ul>	9
<ul style="list-style-type: none"> <li>La macchina non funziona anche se si preme il tasto partenza/stop. (Nel caso in cui la spia di funzionamento sia ancora accesa.)</li> </ul>	<ul style="list-style-type: none"> <li>L'ago colpisce il piedino a causa di una non corretta installazione del piedino.</li> <li>L'ago è caduto nell'area del crochet e ha cercato di partire.</li> </ul>	<ul style="list-style-type: none"> <li>Usare il piedino appropriato per il punto selezionato.</li> <li>Rimuovere l'ago dall'area del crochet.</li> </ul>	- -
<ul style="list-style-type: none"> <li>Rottura ago.</li> </ul>	<ul style="list-style-type: none"> <li>Si sta cucendo su materiale spesso con un ago sottile.</li> <li>L'ago non è stato inserito interamente.</li> <li>La vite del morsetto dell'ago non è assicurata saldamente.</li> <li>Si sta usando un piedino non adatto al punto selezionato.</li> </ul>	<ul style="list-style-type: none"> <li>Consultare la tabella per tessuto, filato e aghi.</li> <li>Controllare l'installazione dell'ago.</li> <li>Stringere saldamente la vite del morsetto dell'ago.</li> <li>Verificare la combinazione tra punto e piedino da usare.</li> </ul>	18 18 18 -
<ul style="list-style-type: none"> <li>Rumore forte e/o intenso durante la cucitura.</li> </ul>	<ul style="list-style-type: none"> <li>Accumulo di filaccia o sporco nella griffa di trasporto.</li> <li>Accumulo di filaccia o sporco nel crochet.</li> </ul>	<ul style="list-style-type: none"> <li>Pulire l'area della griffa di trasporto.</li> <li>Pulire l'area del crochet.</li> </ul>	49 49
<ul style="list-style-type: none"> <li>La macchina non riesce a trasportare i tessuti.</li> </ul>	<ul style="list-style-type: none"> <li>La lunghezza del punto è impostata a "0".</li> <li>Si sta cucendo su tessuti morbidi, per esempio asciugamani.</li> <li>La macchina è impostata sul trasporto a caduta. (la manopola di trasporto a caduta è spostata a destra)</li> </ul>	<ul style="list-style-type: none"> <li>Dopo aver rileselionato il punto, la macchina torna alle impostazioni di default.</li> <li>Impostare la lunghezza del punto a 3 – 5.</li> <li>Spostare la manopola di trasporto a caduta a sinistra.</li> </ul>	24 - 19

Problema	Causa	Soluzione	Pag.
<ul style="list-style-type: none"> <li>● L'infilatura del filo nell'ago non può essere effettuata. (Nel caso in cui l'infilatura non può girare.)</li> <li>● Il gancio dell'infilatura non passa attraverso la cruna.</li> </ul>	<ul style="list-style-type: none"> <li>● L'ago non è stato sollevato. (Quando l'ago non è stato sollevato l'infilatura non gira. Ciò per prevenire danni al gancio.)</li> <li>● L'ago non è stato inserito interamente.</li> </ul>	<ul style="list-style-type: none"> <li>● Ruotare il volantino e sollevare l'ago.</li> </ul>	16
		<ul style="list-style-type: none"> <li>● Controllare l'installazione dell'ago.</li> </ul>	18
<ul style="list-style-type: none"> <li>● La leva di infilatura dell'ago non ritorna alla sua posizione originale e la macchina non può girare adeguatamente. (Nel caso in cui l'infilatura rimanga nella cruna dell'ago)</li> </ul>	<ul style="list-style-type: none"> <li>● Il volantino viene girato per errore mentre la leva di infilatura dell'ago è abbassata. (nel processo di infilatura dell'ago.)</li> </ul>	<ul style="list-style-type: none"> <li>● Girare leggermente il volantino in direzione opposta a voi. (in senso opposto quando si sta cucendo)</li> </ul>	-
<ul style="list-style-type: none"> <li>● La macchina non si avvia anche se si preme il tasto partenza/stop.</li> </ul>	<ul style="list-style-type: none"> <li>● Il comando a pedale è inserito.</li> </ul>	<ul style="list-style-type: none"> <li>● Il tasto partenza/stop funziona una volta rimosso il comando a pedale.</li> </ul>	8
<ul style="list-style-type: none"> <li>● Rottura filo</li> <li>● Il punto viene saltato.</li> </ul>	<ul style="list-style-type: none"> <li>● La macchina non è infilata in modo corretto.</li> <li>● Sono presenti dei nodi sul filo.</li> <li>● L'impostazione manuale della tensione del filo non è corretta.</li> <li>● L'ago è piegato o la punta dell'ago è spezzata.</li> <li>● L'ago è inserito in modo scorretto.</li> <li>● L'infilatura dell'ago della bobina non è corretta.</li> <li>● La bobina non può ruotare in modo scorrevole all'interno del supporto gancio.</li> <li>● La misura dell'ago non corrisponde a quella del filo.</li> <li>● Il tendifilo non è infilato.</li> </ul>	<ul style="list-style-type: none"> <li>● Infilare la macchina in modo corretto.</li> </ul>	16
		<ul style="list-style-type: none"> <li>● Rimuovere i nodi dal filo.</li> </ul>	-
		<ul style="list-style-type: none"> <li>● Regolare manualmente la tensione del filo in funzione del tessuto e del filo da usare.</li> </ul>	19
		<ul style="list-style-type: none"> <li>● Sostituire l'ago.</li> </ul>	18
		<ul style="list-style-type: none"> <li>● Inserire l'ago in modo corretto.</li> </ul>	18
		<ul style="list-style-type: none"> <li>● Controllare il modo corretto di inserire il filo della bobina.</li> </ul>	15
		<ul style="list-style-type: none"> <li>● Controllare il modo corretto di avvolgere il filo della bobina.</li> </ul>	-
<ul style="list-style-type: none"> <li>● Controllare la combinazione ago/filo.</li> </ul>	18		
<ul style="list-style-type: none"> <li>● Infilare la macchina in modo corretto.</li> </ul>	16		
<ul style="list-style-type: none"> <li>● La tensione del filo non è adeguata.</li> </ul>	<ul style="list-style-type: none"> <li>● Il filo dell'ago non è infilato in modo corretto.</li> <li>● Il filo della bobina non è infilato in modo corretto.</li> <li>● La direzione del tappo del rocchetto non si adatta al rocchetto.</li> </ul>	<ul style="list-style-type: none"> <li>● Infilare la macchina in modo corretto.</li> </ul>	16
		<ul style="list-style-type: none"> <li>● Controllare il modo corretto di inserire il filo della bobina.</li> </ul>	15
		<ul style="list-style-type: none"> <li>● Attaccare il tappo del rocchetto secondo la direzione corretta.</li> </ul>	16
<ul style="list-style-type: none"> <li>● Presenza di grinze.</li> </ul>	<ul style="list-style-type: none"> <li>● La lunghezza del punto è troppo ampia per tessuti leggeri.</li> <li>● La punta dell'ago è spezzata.</li> </ul>	<ul style="list-style-type: none"> <li>● Ridurre la lunghezza del punto.</li> </ul>	24
		<ul style="list-style-type: none"> <li>● Sostituire l'ago.</li> </ul>	18





## ■ Specification list

Item	Specification
Body size	44.5 (W) X 29.2 (H) X 22.3 (D) cm
Body size with hard case	48.0 (W) X 29.5 (H) X 24.0 (D) cm
Weight (Weight with hard case)	G220 9.4 KGS / 20.7 LBS G120 8.9 KGS / 19.6 LBS

## ■ Lista de especificaciones

Elemento	Especificación
Dimensiones del cuerpo	44,5 (An) X 29,1 (Al) X 21,0 (L) cm
Dimensiones del cuerpo con maleta rígida	51,0 (An) X 30.5 (Al) X 25,7 (L) cm
Peso (peso con maleta rígida)	G220 9,4 KGS / 20,7 LBS G120 8,9 KGS / 19,6 LBS

## ■ Caractéristiques

Elément	Caractéristiques
Corps de la machine	44.5 (L) X 29.1 (H) X 21.0 (P) cm
Corps de la machine avec couvercle	51.0 (L) X 30.5 (H) X 25.7 (P) cm
Poids (avec couvercle)	G220 9.4 KGS / 20.7 LBS G120 8.9 KGS / 19.6 LBS

## ■ Elenco specifiche

Articolo	Specifiche
Dimensioni	44.5 (W) X 29.1 (H) X 21.0 (D) cm
Dimensione con la valigetta chiusa	51.0 (W) X 30.5 (H) X 25.7 (D) cm
Peso (Peso con la valigetta chiusa)	G220 9.4 KGS / 20.7 LBS G120 8.9 KGS / 19.6 LBS

# JUKI®

## JUKI CORPORATION

2-11-1, TSURUMAKI, TAMA-SHI,  
TOKYO, 206-8551, JAPAN

**PHONE** : (81)42-357-2341

**FAX** : (81)42-357-2379

Copyright © 2014 JUKI CORPORATION

All rights reserved throughout the world.

Reservados todos los derechos en todo el mundo.

Tous les droits sont réservés à travers le monde.

Tutti i diritti riservati in ogni paese del mondo.